

# SINGLE HOOK AC715



60 x 60 x 67 mm

- Single hook made of 6 or 3 mm thick, germ-reducing and easy-care stainless steel (AISI 304), visible surfaces bead-blasted.
- Square base plate, with two-point attachment set back behind and anti-theft locking screw at the bottom.
- Projection 50 mm
- Mounting with two screws.
- Delivery includes fixing material.
- Weight, including single package: 0.5 kg

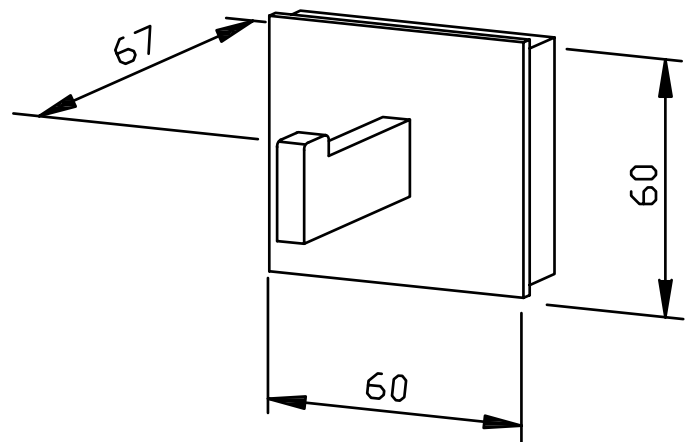


## Suggested text for specifications:

Single hook made of 6 or 3 mm thick, germ-reducing and easy-care stainless steel (AISI 304), visible surfaces bead-blasted, for surface mounting. Square base plate, with two-point attachment set back behind and anti-theft locking screw at the bottom. Delivery includes fixing material.

Dimensions: 60 x 60 x 67 mm

Article No. AC715



Available surface	ID No.
bead blasted	700 715

## Ernst Wagner GmbH & Co. KG

Ernst-Abbe-Straße 21 · D-72770 Reutlingen · Tel.: +49712151539-0 · Fax: -20  
info@wagner-ewar.de · www.wagner-ewar.de

WAGNER  
— EWAR