

Wagner - **EWAR** Complete range 2024

Date of issue: 2024/01/22

89 x 45 x 120 mm

- Ashtray in solid, germ-reducing and easy-care stainless steel (AISI 303), satin finished.
Further available surfaces: see below.
- Concealed anti-theft two-point rosette wall mounting.
- Holder diameter 16 mm
Dish diameter 89 mm
Height 18 mm
- Mounting with two screws.
- Delivery includes fixing material.
- Weight, including single package: 0.6 kg

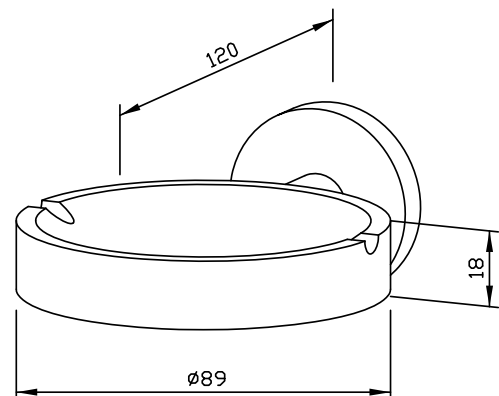


Suggested text for specifications:

Ashtray in solid stainless steel (AISI 303), satin finished, for surface mounting. Concealed anti-theft two-point rosette wall mounting. Delivery includes fixing material.

Dimensions: 89 x 45 x 120 mm

Article No. AC211



Available surfaces	ID No.
satin finished (standard)	700 211
highly polished	731 211

Ø 16 x 22 mm

- Mini hook in solid, germ-reducing and easy-care stainless steel (AISI 303), satin finished.
Further available surfaces: see below.
- Holder diameter 16 mm
Length 22 mm
- Concealed, centric, anti-theft wall mounting.
- Mounting with one screw.
- Delivery includes fixing material.
- Weight, including single package: 0.1 kg

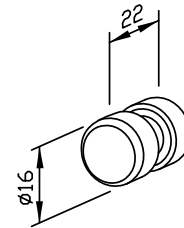


Suggested text for specifications:

Mini hook in solid stainless steel (AISI 303), satin finished, for surface mounting. Concealed, centric, anti-theft wall mounting. Delivery includes fixing material.

Dimensions: Ø 16 x 22 mm

Article No. AC214



Available surfaces	ID No.
satin finished (standard)	700 214
highly polished	731 214

SINGLE HOOK AC215



Ø 45 x 36 mm

- Single hook in solid, germ-reducing and easy-care stainless steel (AISI 303), satin finished.
Further available surfaces: see below.
- Concealed anti-theft two-point rosette wall mounting.
- Holder diameter 16 mm
Length 36 mm
- Mounting with two screws.
- Delivery includes fixing material.
- Weight, including single package: 0.2 kg

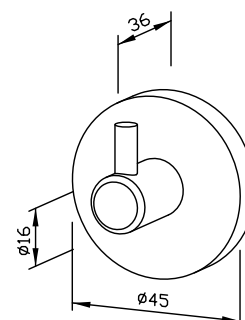


Suggested text for specifications:

Single hook in solid stainless steel (AISI 303), satin finished, for surface mounting. Concealed anti-theft two-point rosette wall mounting. Delivery includes fixing material.

Dimensions: Ø 45 x 36 mm

Article No. AC215



Available surfaces	ID No.
satin finished (standard)	700 215
highly polished	731 215

Ernst Wagner GmbH & Co. KG

Ernst-Abbe-Straße 21 · D-72770 Reutlingen · Tel.: +49712151539-0 · Fax: -20
info@wagner-ewar.de · www.wagner-ewar.de

WAGNER
EWAR

DOUBLE HOOK AC216



Ø 45 x 45 mm

- Double hook in solid, germ-reducing and easy-care stainless steel (AISI 303), satin finished.
Further available surfaces: see below.
- Concealed anti-theft two-point rosette wall mounting.
- Holder diameter 16 mm
Length 45 mm
- Mounting with two screws.
- Delivery includes fixing material.
- Weight, including single package: 0.2 kg

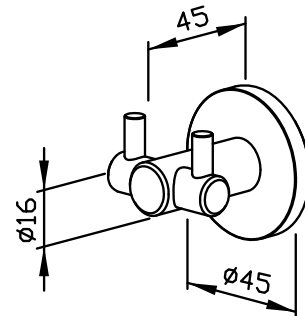


Suggested text for specifications:

Double hook in solid stainless steel (AISI 303), satin finished, for surface mounting. Concealed anti-theft two-point rosette wall mounting. Delivery includes fixing material.

Dimensions: Ø 45 x 45 mm

Article No. AC216



Available surfaces	ID No.
satin finished (standard)	702 216
highly polished	732 216

Ernst Wagner GmbH & Co. KG

Ernst-Abbe-Straße 21 · D-72770 Reutlingen · Tel.: +49712151539-0 · Fax: -20
info@wagner-ewar.de · www.wagner-ewar.de

WAGNER
EWAR

WALL-MOUNTED DOOR BUFFER WITH HOOK AC217



Ø 45 x 76 mm

- Wall-mounted door buffer with hook in solid, germ-reducing and easy-care stainless steel (AISI 303), satin finished.
Further available surfaces: see below.
- Concealed anti-theft two-point rosette wall mounting.
- Holder diameter 16 mm
Length 76 mm
- With rubber buffer.
- Mounting with two screws.
- Delivery includes fixing material.
- Weight, including single package: 0.2 kg

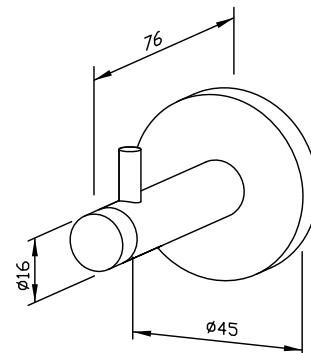


Suggested text for specifications:

Wall-mounted door buffer with hook in solid stainless steel (AISI 303), satin finished, for surface mounting, with rubber buffer. Concealed anti-theft two-point rosette wall mounting. Delivery includes fixing material.

Dimensions: Ø 45 x 76 mm

Article No. AC217



Available surfaces	ID No.
satin finished (standard)	700 217
highly polished	731 217

Ernst Wagner GmbH & Co. KG

Ernst-Abbe-Straße 21 · D-72770 Reutlingen · Tel.: +49712151539-0 · Fax: -20
info@wagner-ewar.de · www.wagner-ewar.de

WAGNER
EWAR

WALL-MOUNTED DOOR BUFFER AC218



Ø 45 x 110 mm

- Wall-mounted door buffer in solid, germ-reducing and easy-care stainless steel (AISI 303), satin finished. Further available surfaces: see below.
- Concealed anti-theft two-point rosette wall mounting.
- Holder diameter 16 mm
Length 110 mm
- With rubber buffer.
- Mounting with two screws.
- Delivery includes fixing material.
- Weight, including single package: 0.3 kg

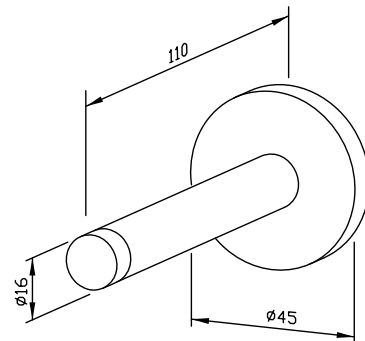


Suggested text for specifications:

Wall-mounted door buffer in solid stainless steel (AISI 303), satin finished, with rubber buffer for surface mounting. Concealed anti-theft two-point rosette wall mounting. Delivery includes fixing material.

Dimensions: Ø 45 x 110 mm

Article No. AC218



Available surfaces	ID No.
satin finished (standard)	700 218
highly polished	731 218

Ernst Wagner GmbH & Co. KG

Ernst-Abbe-Straße 21 · D-72770 Reutlingen · Tel.: +49712151539-0 · Fax: -20
info@wagner-ewar.de · www.wagner-ewar.de

WAGNER
E W A R

Ø 16 x 26 mm

- Wall-mounted door buffer in solid, germ-reducing and easy-care stainless steel (AISI 303), satin finished.
- Concealed, centric, anti-theft wall mounting.
- Holder diameter 16 mm
Length 26 mm
- With rubber buffer.
- Mounting with one screw.
- Delivery includes fixing material.
- Weight, including single package: 0.1 kg

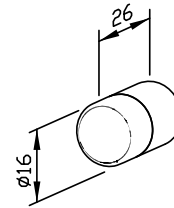


Suggested text for specifications:

Wall-mounted door buffer in solid stainless steel (AISI 303), satin finished, with rubber buffer, for surface mounting. Concealed, centric, anti-theft wall mounting. Delivery includes fixing material.

Dimensions: Ø 16 x 26 mm

Article No. AC219



Available surface	ID No.
satin finished	700 219

TOILET ROLL HOLDER AC220



150 x 92 x 44 mm

- Toilet roll holder in solid, germ-reducing and easy-care stainless steel (AISI 303), satin finished. Further available surfaces: see below.
- Designed for one standard toilet roll with dimensions:
Outer diameter max. 125 mm
Width max. 100 mm
Core diameter min. 38 mm
- Concealed anti-theft two-point rosette wall mounting.
- Holder diameter 16 mm
Width 150 mm
- Mounting with two screws.
- Delivery includes fixing material.
- Weight, including single package: 0.4 kg

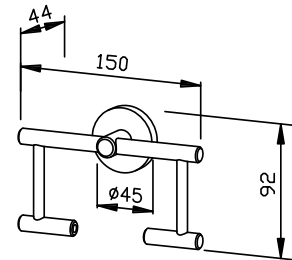


Suggested text for specifications:

Toilet roll holder in solid stainless steel (AISI 303), satin finished, for surface mounting. Concealed anti-theft two-point rosette wall mounting. Delivery includes fixing material.

Dimensions: 150 x 92 x 44 mm

Article No. AC220



Available surfaces	ID No.
satin finished (standard)	700 220
highly polished	731 220

Ernst Wagner GmbH & Co. KG

Ernst-Abbe-Straße 21 · D-72770 Reutlingen · Tel.: +49712151539-0 · Fax: -20
info@wagner-ewar.de · www.wagner-ewar.de

WAGNER
EWAR

TOILET BRUSH SET AC221



97 x 422 x 129 mm

- Toilet brush set in solid, germ-reducing and easy-care stainless steel (AISI 303), satin finished.
Further available surfaces: see below.
- With top hook for brush handle.
- Concealed, anti-theft two-point rosette wall mountings.
- Brush head replaceable.
- Cup removable. Internal stop bolt for optimum brush-position.
- Holder diameter 16 mm
Cup inner diameter 84 mm
Cup height 130 mm
Distance btw. mounting points 290 mm
- Mounting with three screws.
- Delivery includes fixing material.
- Weight, including single package: 1.5 kg

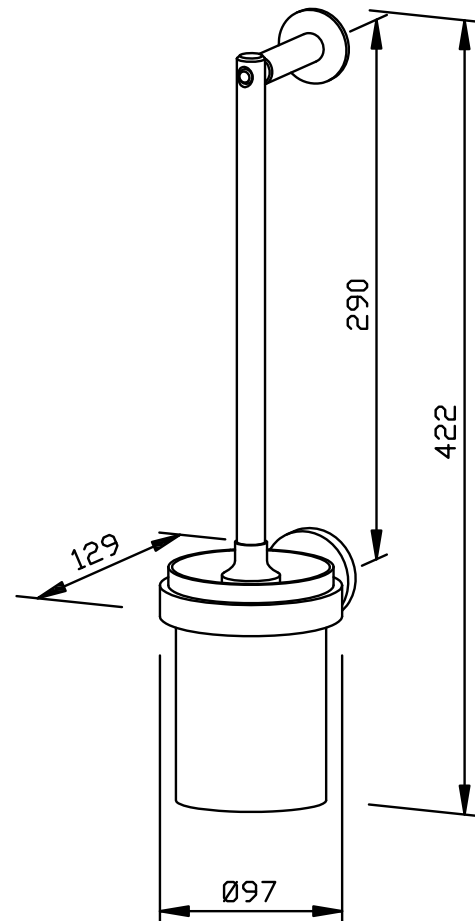


Suggested text for specifications:

Toilet brush set in solid stainless steel (AISI 303) with top hook for brush handle, satin finished, for surface mounting. Concealed, anti-theft two-point rosette wall mountings. Brush head replaceable, cup removable with internal stop bolt for optimum brush-position. Delivery includes fixing material.

Dimensions: 97 x 422 x 129 mm

Article No. AC221



Available surfaces	ID No.
satin finished (standard)	700 221
highly polished	731 221

Ernst Wagner GmbH & Co. KG

Ernst-Abbe-Straße 21 · D-72770 Reutlingen · Tel.: +49712151539-0 · Fax: -20
info@wagner-ewar.de · www.wagner-ewar.de

WAGNER
EWAR

Ø 40 x 80 mm

- Reserve-toilet roll holder in solid, germ-reducing and easy-care stainless steel (AISI 303), satin finished. Further available surfaces: see below.
- Designed for one standard toilet roll with dimensions:
 - Outer diameter max. 125 mm
 - Width max. 100 mm
 - Core diameter min. 38 mm
- Concealed, centric, anti-theft wall disc mounting.
- Holder diameter 16 mm, length 80 mm.
- Mounting with one screw.
- Delivery includes fixing material.
- Weight, including single package: 0.2 kg

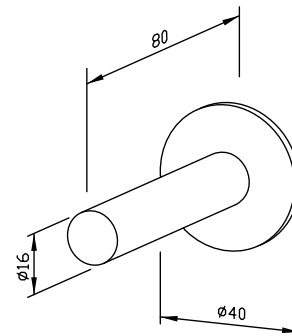


Suggested text for specifications:

Reserve-toilet roll holder in solid stainless steel (AISI 303), satin finished, for surface mounting. Concealed, centric, anti-theft wall disc mounting. Delivery includes fixing material.

Dimensions: Ø 40 x 80 mm

Article No. AC222



Available surfaces	ID No.
satin finished (standard)	700 222
highly polished	731 222

DOUBLE RESERVE TOILET ROLL HOLDER AC225-2



Ø 45 x 233 x 107 mm

- Double reserve toilet roll holder, right angled, in solid, germ-reducing and easy-care stainless steel (AISI 303), satin finished.
Further available surfaces: see below.
- Designed for up to two standard toilet rolls with dimensions:
Outer diameter max. 125 mm
Width max. 100 mm
Core diameter min. 38 mm
- Concealed anti-theft two-point rosette wall mounting.
- Holder diameter 20 mm, length 233 mm.
- Mounting with two screws.
- Delivery includes fixing material.
- Weight, including single package: 0.7 kg

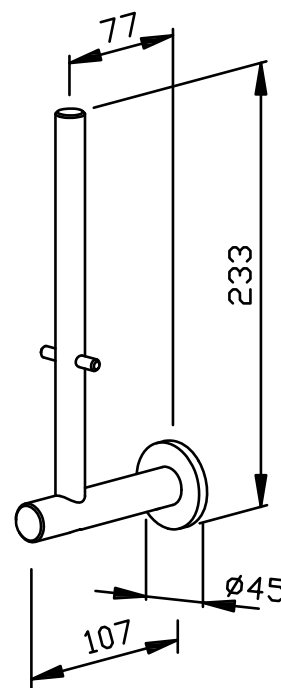


Suggested text for specifications:

Double reserve toilet roll holder, right angled, in solid stainless steel (AISI 303), satin finished, for surface mounting. Concealed anti-theft two-point rosette wall mounting. Delivery includes fixing material.

Dimensions: Ø 45 x 233 x 107 mm

Article No. AC225-2



Available surfaces	ID No.
satin finished (standard)	700 225
highly polished	731 225

Ernst Wagner GmbH & Co. KG

Ernst-Abbe-Straße 21 · D-72770 Reutlingen · Tel.: +49712151539-0 · Fax: -20
info@wagner-ewar.de · www.wagner-ewar.de

WAGNER
EWAR

TRIPLE RESERVE TOILET ROLL HOLDER AC225-3



Ø 45 x 333 x 107 mm

- Triple reserve toilet roll holder, right angled, in solid, germ-reducing and easy-care stainless steel (AISI 303), satin finished.
Further available surfaces: see below.
- Designed for up to three standard toilet rolls with dimensions:
Outer diameter max. 125 mm
Width max. 100 mm
Core diameter min. 38 mm
- Concealed anti-theft two-point rosette wall mounting.
- Holder diameter 20 mm, length 333 mm.
- Mounting with two screws.
- Delivery includes fixing material.
- Weight, including single package: 0.8 kg

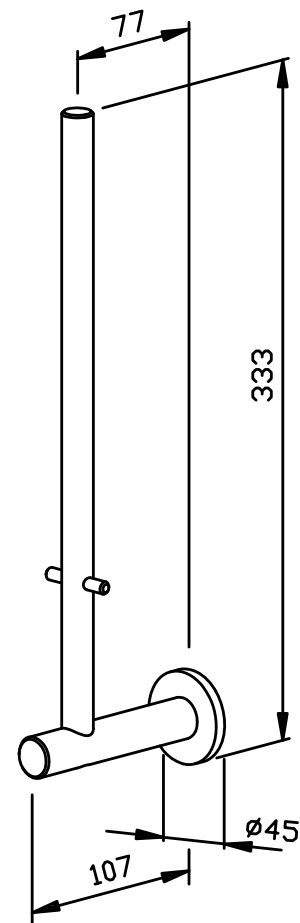


Suggested text for specifications:

Triple reserve toilet roll holder, right angled, in solid stainless steel (AISI 303), satin finished, for surface mounting. Concealed anti-theft two-point rosette wall mounting. Delivery includes fixing material.

Dimensions: Ø 45 x 333 x 107 mm

Article No. AC225-3



Available surfaces	ID No.
satin finished (standard)	702 225
highly polished	732 225

Ernst Wagner GmbH & Co. KG

Ernst-Abbe-Straße 21 · D-72770 Reutlingen · Tel.: +49712151539-0 · Fax: -20
info@wagner-ewar.de · www.wagner-ewar.de

WAGNER
EWAR

Ø 40 x 40 mm

- Floor door stop in solid, germ-reducing and easy-care stainless steel (AISI 303), satin finished, with rubber ring. Further available surfaces: see below.
- Height 40 mm
Diameter 30 mm
Rubber ring diameter 40 mm
- Concealed, centric, anti-theft floor mounting.
- Mounting with one screw.
- Delivery includes fixing material.
- Weight, including single package: 0.2 kg

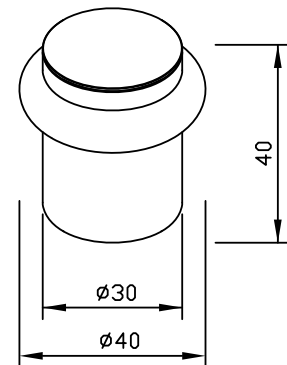


Suggested text for specifications:

Floor door stop in solid stainless steel (AISI 303), satin finished, with rubber ring, for floor-mounting. Concealed, centric, anti-theft floor mounting. Delivery includes fixing material.

Dimensions: Ø 40 x 40 mm

Article No. AC227



Available surfaces	ID No.
satin finished (standard)	700 227
highly polished	731 227

Ø 40 x 26 mm

- Floor door stop in solid, germ-reducing and easy-care stainless steel (AISI 303), satin finished, with rubber ring. Further available surfaces: see below.
- Height 26 mm
Diameter 30 mm
Rubber ring diameter 40 mm
- Concealed, centric, anti-theft floor mounting.
- Mounting with one screw.
- Delivery includes fixing material.
- Weight, including single package: 0.1 kg

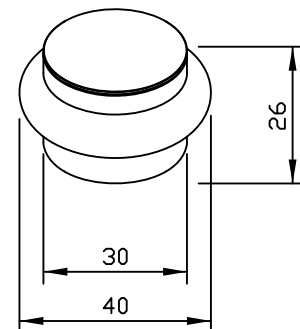


Suggested text for specifications:

Floor door stop in solid stainless steel (AISI 303), satin finished, with rubber ring, for floor-mounting. Concealed, centric, anti-theft floor mounting. Delivery includes fixing material.

Dimensions: Ø 40 x 26 mm

Article No. AC228



Available surfaces	ID No.
satin finished (standard)	700 228
highly polished	731 228

300 x 58 x 40 mm

- Towel rail in solid, germ-reducing and easy-care stainless steel (AISI 303), satin finished.
Further available surfaces: see below.
- Two concealed anti-theft wall disc mountings.
- Holder diameter 16 mm
Towel rail diameter 12 mm
Distance between mounting points 300 mm
- Mounting with two screws.
- Delivery includes fixing material.
- Weight, including single package: 0.4 kg

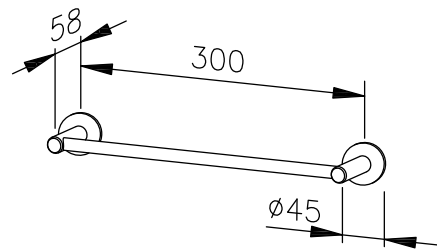


Suggested text for specifications:

Towel rail in solid stainless steel (AISI 303), satin finished, for surface mounting. Two concealed anti-theft wall disc mountings. Delivery includes fixing material.

Dimensions: 300 x 58 x 40 mm

Article No. AC230



Available surfaces	ID No.
satin finished (standard)	700 230
highly polished	734 230

450 x 58 x 40 mm

- Towel rail in solid, germ-reducing and easy-care stainless steel (AISI 303), satin finished.
Further available surfaces: see below.
- Two concealed anti-theft wall disc mountings.
- Holder diameter 16 mm
Towel rail diameter 12 mm
Distance between mounting points 450 mm
- Mounting with two screws.
- Delivery includes fixing material.
- Weight, including single package: 0.6 kg

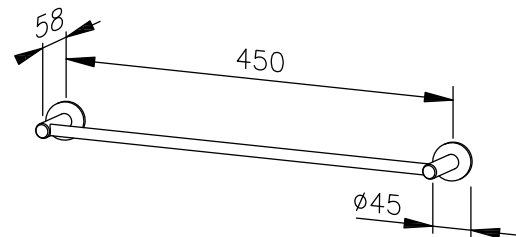


Suggested text for specifications:

Towel rail in solid stainless steel (AISI 303), satin finished, for surface mounting. Two concealed anti-theft wall disc mountings. Delivery includes fixing material.

Dimensions: 450 x 58 x 40 mm

Article No. AC231



Available surfaces	ID No.
satin finished (standard)	700 231
highly polished	734 231

600 x 58 x 40 mm

- Towel rail in solid, germ-reducing and easy-care stainless steel (AISI 303), satin finished.
Further available surfaces: see below.
- Two concealed anti-theft wall disc mountings.
- Holder diameter 16 mm
Towel rail diameter 12 mm
Distance between mounting points 600 mm
- Mounting with two screws.
- Delivery includes fixing material.
- Weight, including single package: 0.7 kg

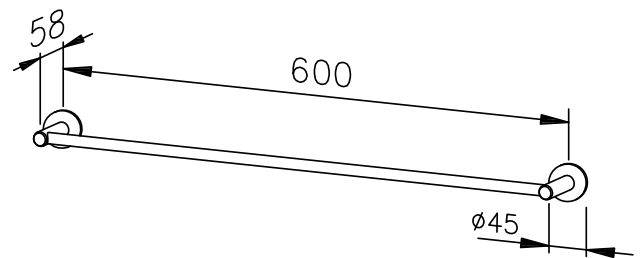


Suggested text for specifications:

Towel rail in solid stainless steel (AISI 303), satin finished, for surface mounting. Two concealed anti-theft wall disc mountings. Delivery includes fixing material.

Dimensions: 600 x 58 x 40 mm

Article No. AC232



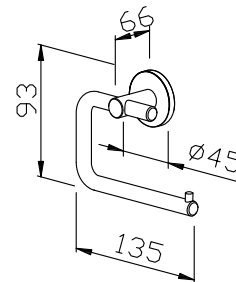
Available surfaces	ID No.
satin finished (standard)	700 232
highly polished	734 232

TOILET ROLL HOLDER AC250



135 x 110 x 66 mm

- Toilet roll holder in solid, germ-reducing and easy-care stainless steel (AISI 303), satin finished. Further available surfaces: see below.
- Designed for one standard toilet roll with dimensions:
 - Outer diameter max. 125 mm
 - Width max. 100 mm
 - Core diameter min. 38 mm
- Concealed anti-theft two-point rosette wall mounting.
- Can be mounted pointing right or left.
- Holder diameter 16 mm
Roll holder diameter 12 mm
- Mounting with two screws.
- Delivery includes fixing material.
- Weight, including single package: 0.4 kg



Suggested text for specifications:

Toilet roll holder in solid stainless steel (AISI 303), satin finished, for surface mounting. Concealed anti-theft two-point rosette wall mounting. Can be mounted pointing right or left. Delivery includes fixing material.

Dimensions: 135 x 110 x 66 mm

Article No. AC250

Available surfaces	ID No.
satin finished (standard)	700 250
highly polished	731 250

Ernst Wagner GmbH & Co. KG

Ernst-Abbe-Straße 21 · D-72770 Reutlingen · Tel.: +49712151539-0 · Fax: -20
info@wagner-ewar.de · www.wagner-ewar.de

WAGNER
EWAR

DOUBLE TOILET ROLL HOLDER AC252



260 x 110 x 66 mm

- Double toilet roll holder in solid, germ-reducing and easy-care stainless steel (AISI 303), satin finished. Further available surfaces: see below.
- Designed for two standard toilet rolls with dimensions:
Outer diameter max. 125 mm
Width max. 100 mm
Core diameter min. 38 mm
- Two anti-theft two-point rosette wall mountings.
- Can be mounted pointing right or left.
- Holder diameter 20 mm
Roll holder diameter 12 mm
- Mounting with four screws.
- Delivery includes fixing material.
- Weight, including single package: 0.8 kg

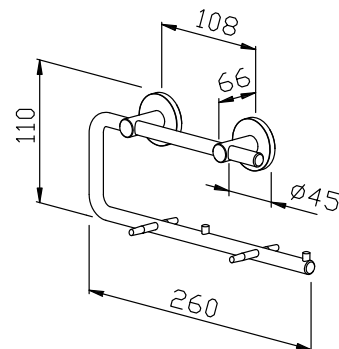


Suggested text for specifications:

Double toilet roll holder in solid stainless steel (AISI 303), satin finished, for surface mounting. Two anti-theft two-point rosette wall mountings. Can be mounted pointing right or left. Delivery includes fixing material.

Dimensions: 260 x 110 x 66 mm

Article No. AC252



Available surfaces	ID No.
satin finished (standard)	700 252
highly polished	731 252

Ernst Wagner GmbH & Co. KG

Ernst-Abbe-Straße 21 · D-72770 Reutlingen · Tel.: +49712151539-0 · Fax: -20
info@wagner-ewar.de · www.wagner-ewar.de

WAGNER
EWAR

TOILET BRUSH SET AC261



97 x 391 x 129 mm

- Toilet brush set in solid, germ-reducing and easy-care stainless steel (AISI 303), satin finished.
Further available surfaces: see below.
- Concealed anti-theft two-point rosette wall mounting.
- Brush head replaceable.
- Cup removable. Internal stop bolt for optimum brush-position.
- Holder diameter 16 mm
Cup inner diameter 84 mm
Cup height 130 mm
- Mounting with two screws.
- Delivery includes fixing material.
- Weight, including single package: 1.3 kg

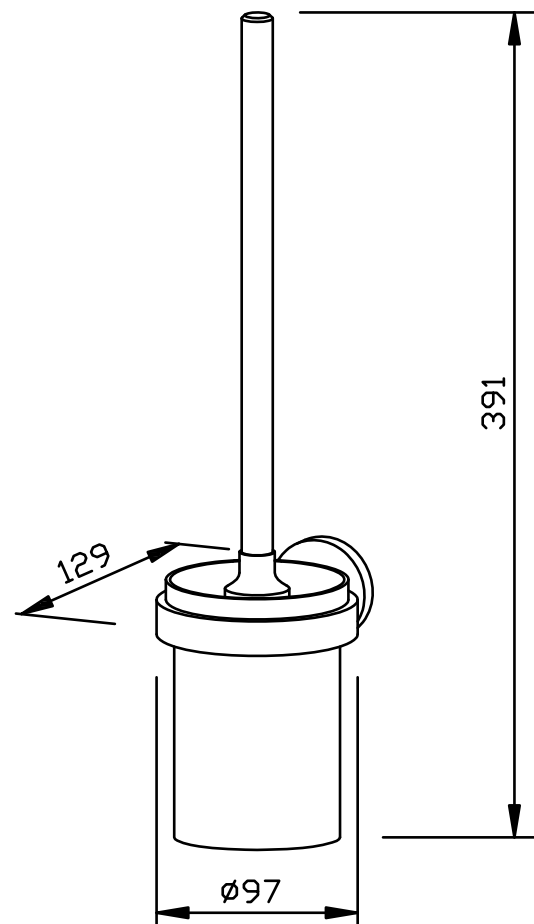


Suggested text for specifications:

Toilet brush set in solid stainless steel (AISI 303), satin finished, for surface mounting. Concealed anti-theft two-point rosette wall mounting. Brush head replaceable, cup removable with internal stop bolt for optimum brush-position. Delivery includes fixing material.

Dimensions: 97 x 391 x 129 mm

Article No. AC261



Available surfaces	ID No.
satin finished (standard)	700 261
highly polished	731 261

Ernst Wagner GmbH & Co. KG

Ernst-Abbe-Straße 21 · D-72770 Reutlingen · Tel.: +49712151539-0 · Fax: -20
info@wagner-ewar.de · www.wagner-ewar.de

WAGNER
EWAR

89 x 45 x 120 mm

- Soap shell in solid, germ-reducing and easy-care stainless steel (AISI 303), satin finished.
Further available surfaces: see below.
- Concealed anti-theft two-point rosette wall mounting.
- Holder diameter 16 mm
Shell diameter 89 mm
Height 18 mm
- Mounting with two screws.
- Delivery includes fixing material.
- Weight, including single package: 0.7 kg

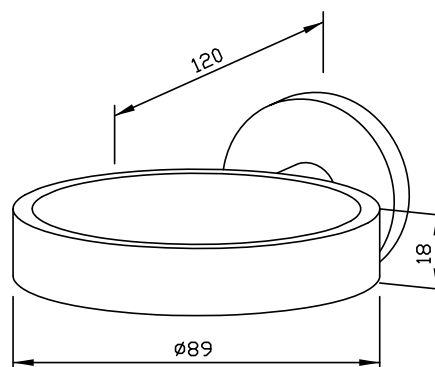


Suggested text for specifications:

Soap shell in solid stainless steel (AISI 303), satin finished, for surface mounting. Concealed anti-theft two-point rosette wall mounting. Delivery includes fixing material.

Dimensions: 89 x 45 x 120 mm

Article No. AC270



Available surfaces	ID No.
satin finished (standard)	700 270
highly polished	731 270

"MAN" PICTOGRAM FOR GLUING AC400



120 x 135 x 2 mm

- Pictogram with „Man“ motif in 2 mm thick stainless steel (AISI 304), satin finished and brushed.
- Mounting with double-sided glue dots.
- Delivery includes fixing material.
- Weight, including single package: 0.2 kg

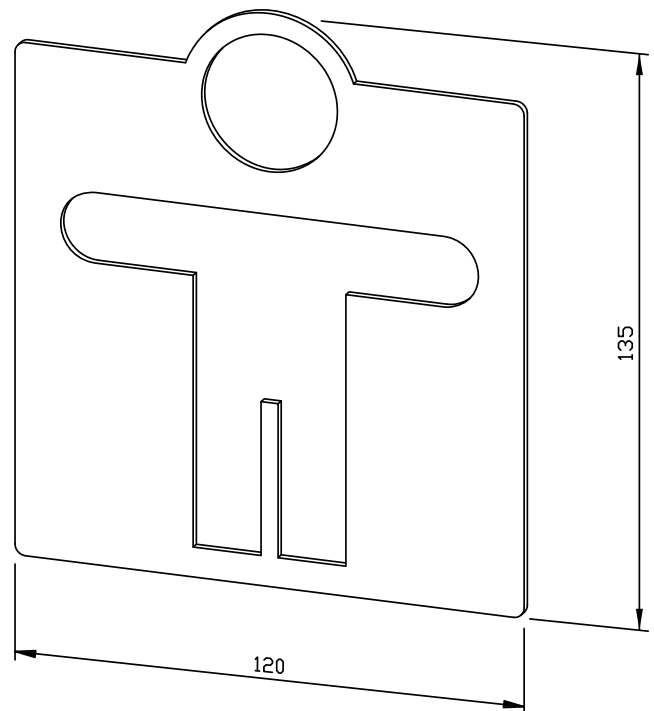


Suggested text for specifications:

Pictogram for gluing with ‚Man‘ motif in 2 mm thick stainless steel (AISI 303), satin finished and brushed. Delivery includes fixing material.

Dimensions: 120 x 135 x 2 mm

Article No. AC400



Available surface	ID No.
satin finished	700 400

Ernst Wagner GmbH & Co. KG

Ernst-Abbe-Straße 21 · D-72770 Reutlingen · Tel.: +49712151539-0 · Fax: -20
info@wagner-ewar.de · www.wagner-ewar.de

WAGNER
— EWAR

"MAN" PICTOGRAM FOR SCREWING AC401



120 x 135 x 2 mm

- Pictogram with „Man“ motif in 2 mm thick stainless steel (AISI 304), satin finished and brushed.
- Mounting with double-sided glue dots on three mounting screws.
- Delivery includes fixing material.
- Weight, including single package: 0.2 kg

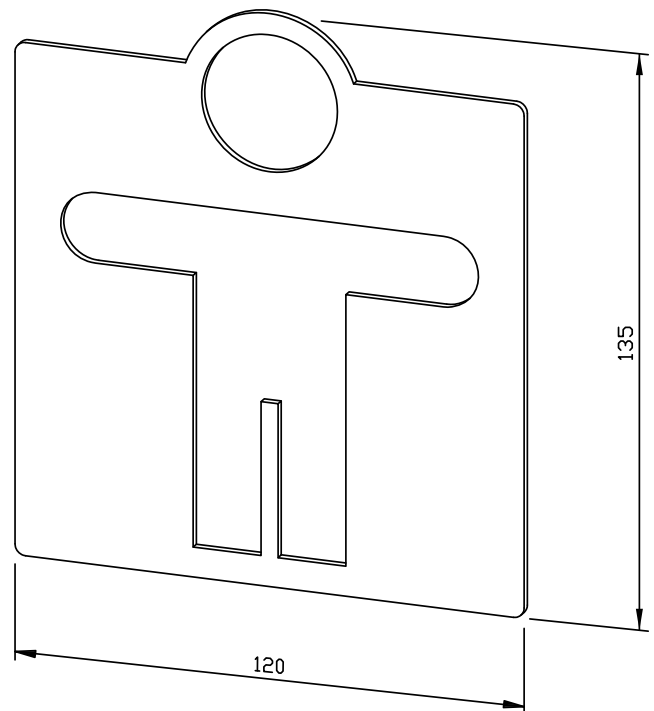


Suggested text for specifications:

Pictogram for screwing with ‚Man‘ motif in 2 mm thick stainless steel (AISI 304), satin finished and brushed. Delivery includes fixing material.

Dimensions: 120 x 135 x 2 mm

Article No. AC401



Available surface	ID No.
satin finished	700 401

Ernst Wagner GmbH & Co. KG

Ernst-Abbe-Straße 21 · D-72770 Reutlingen · Tel.: +49712151539-0 · Fax: -20
info@wagner-ewar.de · www.wagner-ewar.de

WAGNER
— EWAR

"WC" PICTOGRAM FOR GLUING AC AC404



120 x 120 x 2 mm

- Pictogram with „WC“ motif in 2 mm thick stainless steel (AISI 304), satin finished and brushed.
- Mounting with double-sided glue dots.
- Delivery includes fixing material.
- Weight, including single package: 0.2 kg

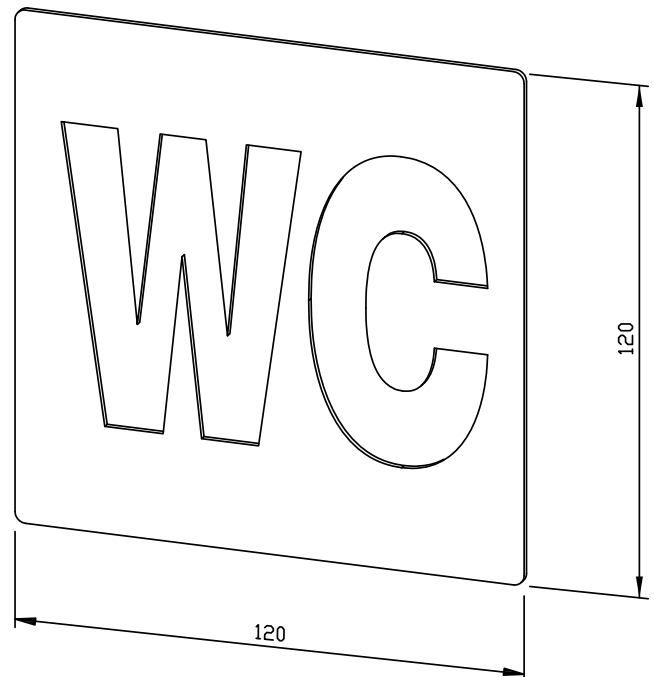


Suggested text for specifications:

Pictogram for gluing with ‚WC‘ motif in 2 mm thick stainless steel (AISI 304), satin finished and brushed. Delivery includes fixing material.

Dimensions: 120 x 120 x 2 mm

Article No. AC404



Available surface	ID No.
satin finished	700 404

Ernst Wagner GmbH & Co. KG

Ernst-Abbe-Straße 21 · D-72770 Reutlingen · Tel.: +49712151539-0 · Fax: -20
info@wagner-ewar.de · www.wagner-ewar.de

WAGNER
— EWAR

"WC" PICTOGRAM FOR SCREWING AC405



120 x 120 x 2 mm

- Pictogram with „WC“ motif in 2 mm thick stainless steel (AISI 304), satin finished and brushed.
- Mounting with double-sided glue dots on three mounting screws.
- Delivery includes fixing material.
- Weight, including single package: 0.2 kg

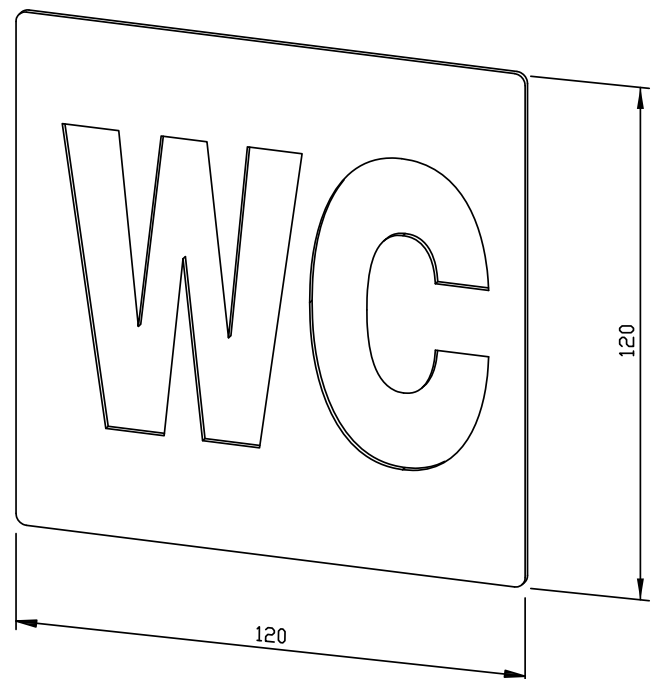


Suggested text for specifications:

Pictogram for screwing with ‚WC‘ motif in 2 mm thick stainless steel (AISI 304), satin finished and brushed. Delivery includes fixing material.

Dimensions: 120 x 120 x 2 mm

Article No. AC405



Available surface	ID No.
satin finished	700 405

Ernst Wagner GmbH & Co. KG

Ernst-Abbe-Straße 21 · D-72770 Reutlingen · Tel.: +49712151539-0 · Fax: -20
info@wagner-ewar.de · www.wagner-ewar.de

WAGNER
— EWAR

"WOMAN" PICTOGRAM FOR GLUING AC410



120 x 135 x 2 mm

- Pictogram with „Woman“ motif in 2 mm thick stainless steel (AISI 304), satin finished and brushed.
- Mounting with double-sided glue dots.
- Delivery includes fixing material.
- Weight, including single package: 0.2 kg

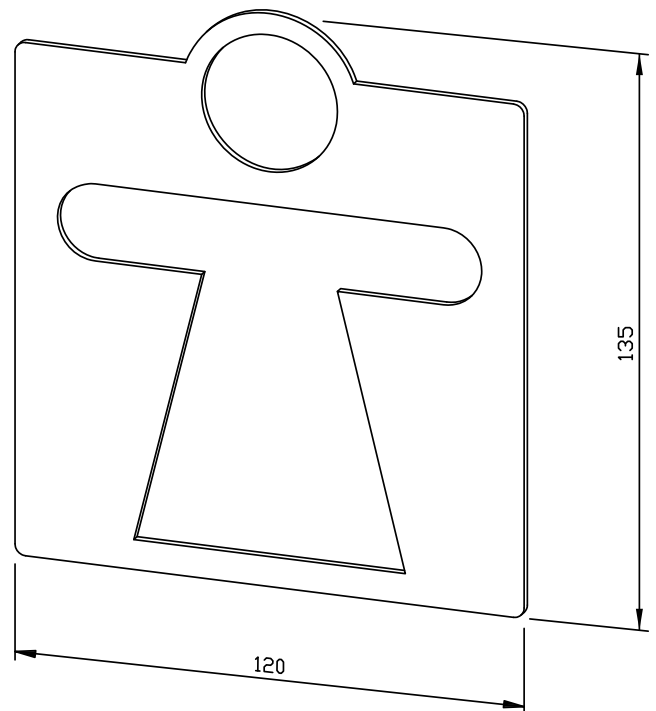


Suggested text for specifications:

Pictogram for gluing with ‚Woman‘ motif in 2 mm thick stainless steel (AISI 304), satin finished and brushed. Delivery includes fixing material.

Dimensions: 120 x 135 x 2 mm

Article No. AC410



Available surface	ID No.
satin finished	700 410

Ernst Wagner GmbH & Co. KG

Ernst-Abbe-Straße 21 · D-72770 Reutlingen · Tel.: +49712151539-0 · Fax: -20
info@wagner-ewar.de · www.wagner-ewar.de

WAGNER
— EWAR

"WOMAN" PICTOGRAM FOR SCREWING AC411



120 x 135 x 2 mm

- Pictogram with „Woman“ motif in 2 mm thick stainless steel (AISI 304), satin finished and brushed.
- Mounting with double-sided glue dots on three mounting screws.
- Delivery includes fixing material.
- Weight, including single package: 0.2 kg

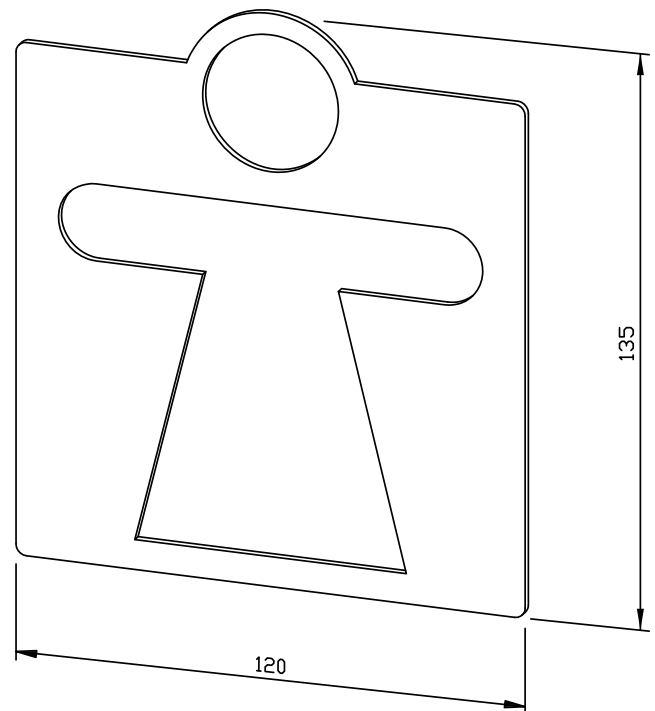


Suggested text for specifications:

Pictogram for screwing with ‚Woman‘ motif in 2 mm thick stainless steel (AISI 304), satin finished and brushed. Delivery includes fixing material.

Dimensions: 120 x 135 x 2 mm

Article No. AC411



Available surface	ID No.
satin finished	700 411

Ernst Wagner GmbH & Co. KG

Ernst-Abbe-Straße 21 · D-72770 Reutlingen · Tel.: +49712151539-0 · Fax: -20
info@wagner-ewar.de · www.wagner-ewar.de

WAGNER
EWAR

"SOAP" PICTOGRAM FOR GLUING AC425



70 x 30 x 0,8 mm

- Pictogram with „Soap“ motif in 0.8 mm thick stainless steel (AISI 304), satin finished and brushed.
- Mounting with double-sided glue dots.
- Delivery includes fixing material.
- Weight, including single package: 0.2 kg

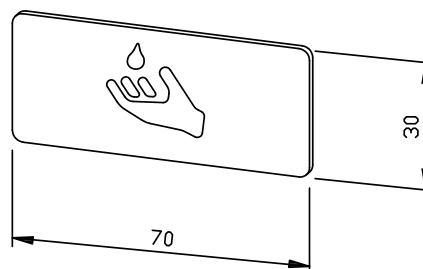


Suggested text for specifications:

Pictogram for gluing with ‚Soap‘ motif in 0.8 mm thick stainless steel (AISI 304), satin finished and brushed. Delivery includes fixing material.

Dimensions: 70 x 30 x 0.8 mm

Article No. AC425



Available surface	ID No.
satin finished	700 425

Ernst Wagner GmbH & Co. KG

Ernst-Abbe-Straße 21 · D-72770 Reutlingen · Tel.: +49712151539-0 · Fax: -20
info@wagner-ewar.de · www.wagner-ewar.de

WAGNER
EWAR

"SOAP" PICTOGRAM FOR GLUING AC426



70 x 30 x 0,8 mm

- Pictogram with „Paper“ motif in 0.8 mm thick stainless steel (AISI 304), satin finished and brushed.
- Mounting with double-sided glue dots.
- Delivery includes fixing material.
- Weight, including single package: 0.2 kg

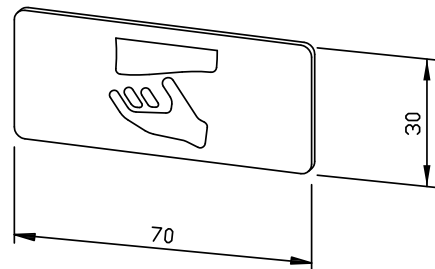


Suggested text for specifications:

Pictogram for gluing with ‚Paper‘ motif in 0.8 mm thick stainless steel (AISI 304), satin finished and brushed. Delivery includes fixing material.

Dimensions: 70 x 30 x 0.8 mm

Article No. AC426



Available surface	ID No.
satin finished	700 426

Ernst Wagner GmbH & Co. KG

Ernst-Abbe-Straße 21 · D-72770 Reutlingen · Tel.: +49712151539-0 · Fax: -20
info@wagner-ewar.de · www.wagner-ewar.de

WAGNER
EWAR

"HANDICAPPED" PICTOGRAM FOR GLUING AC430



120 x 135 x 2 mm

- Pictogram with „Handicapped“ motif in 2 mm thick stainless steel (AISI 304), satin finished and brushed.
- Mounting with double-sided glue dots.
- Delivery includes fixing material.
- Weight, including single package: 0.1 kg

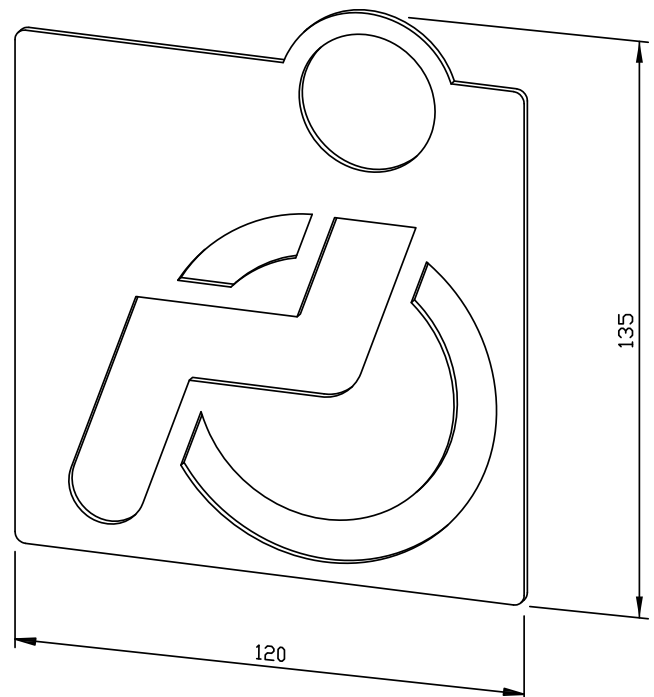


Suggested text for specifications:

Pictogram for gluing with ‚Handicapped‘ motif in 2 mm thick stainless steel (AISI 304), satin finished and brushed. Delivery includes fixing material.

Dimensions: 120 x 135 x 2 mm

Article No. AC430



Available surface	ID No.
satin finished	700 430

Ernst Wagner GmbH & Co. KG

Ernst-Abbe-Straße 21 · D-72770 Reutlingen · Tel.: +49712151539-0 · Fax: -20
info@wagner-ewar.de · www.wagner-ewar.de

WAGNER
— EWAR

"HANDICAPPED" PICTOGRAM FOR SCREWING AC431



120 x 135 x 2 mm

- Pictogram with „Handicapped“ motif in 2 mm thick stainless steel (AISI 304), satin finished and brushed.
- Mounting with double-sided glue dots on three mounting screws.
- Delivery includes fixing material.
- Weight, including single package: 0.1 kg

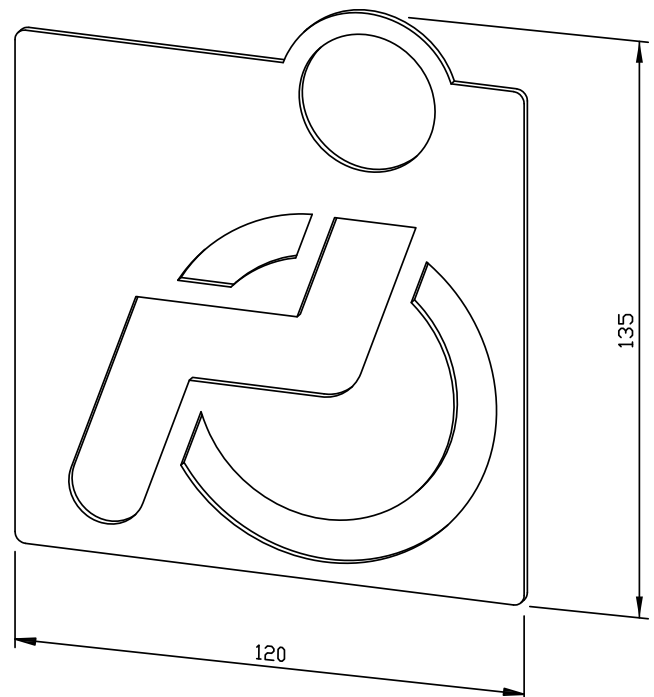


Suggested text for specifications:

Pictogram for screwing with ‚Handicapped‘ motif in 2 mm thick stainless steel (AISI 304), satin finished and brushed. Delivery includes fixing material.

Dimensions: 120 x 135 x 2 mm

Article No. AC431



Available surface	ID No.
satin finished	700 431

Ernst Wagner GmbH & Co. KG

Ernst-Abbe-Straße 21 · D-72770 Reutlingen · Tel.: +49712151539-0 · Fax: -20
info@wagner-ewar.de · www.wagner-ewar.de

WAGNER
— EWAR

SINGLE HOOK AC715



60 x 60 x 67 mm

- Single hook made of 6 or 3 mm thick, germ-reducing and easy-care stainless steel (AISI 304), visible surfaces bead-blasted.
- Square base plate, with two-point attachment set back behind and anti-theft locking screw at the bottom.
- Projection 50 mm
- Mounting with two screws.
- Delivery includes fixing material.
- Weight, including single package: 0.5 kg

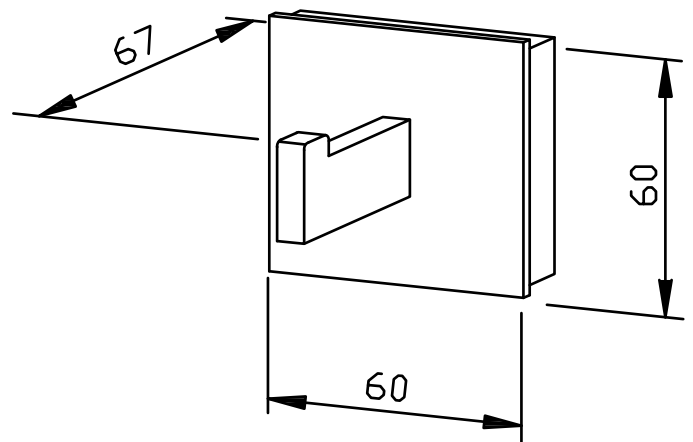


Suggested text for specifications:

Single hook made of 6 or 3 mm thick, germ-reducing and easy-care stainless steel (AISI 304), visible surfaces bead-blasted, for surface mounting. Square base plate, with two-point attachment set back behind and anti-theft locking screw at the bottom. Delivery includes fixing material.

Dimensions: 60 x 60 x 67 mm

Article No. AC715



Available surface	ID No.
bead blasted	700 715

Ernst Wagner GmbH & Co. KG

Ernst-Abbe-Straße 21 · D-72770 Reutlingen · Tel.: +49712151539-0 · Fax: -20
info@wagner-ewar.de · www.wagner-ewar.de

WAGNER
— EWAR

RESERVE-TOILET ROLL HOLDER AC722



60 x 60 x 128 mm

- Reserve-toilet roll holder made of 6 or 3 mm thick, germ-reducing and easy-care stainless steel (AISI 304), visible surfaces bead-blasted.
- Designed for one standard toilet roll with dimensions:
Outer diameter max. 125 mm
Width max. 100 mm
Core diameter min. 38 mm
- Square base plate, with two-point attachment set back behind and anti-theft locking screw at the bottom.
- Projection 111 mm.
- Mounting with two screws.
- Delivery includes fixing material.
- Weight, including single package: 0.5 kg

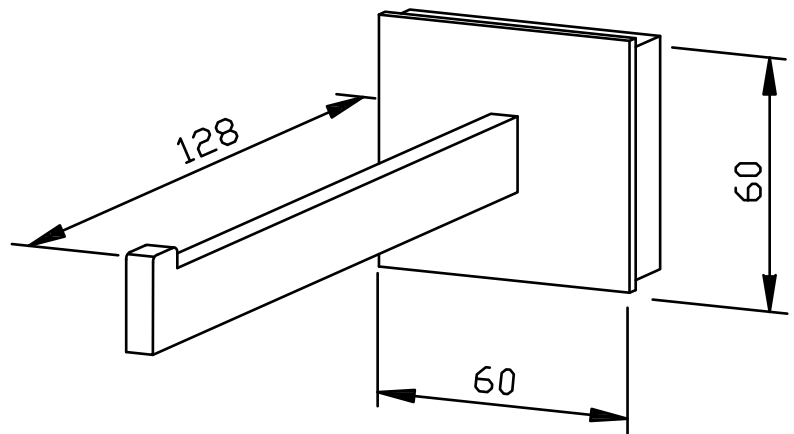


Suggested text for specifications:

Reserve-toilet roll holder made of 6 or 3 mm thick, germ-reducing and easy-care stainless steel (AISI 304), visible surfaces bead-blasted, for surface mounting. Square base plate, with two-point attachment set back behind and anti-theft locking screw at the bottom. Delivery includes fixing material.

Dimensions: 60 x 60 x 128 mm

Article No. AC722



Available surface	ID No.
bead blasted	700 722

Ernst Wagner GmbH & Co. KG

Ernst-Abbe-Straße 21 · D-72770 Reutlingen · Tel.: +49712151539-0 · Fax: -20
info@wagner-ewar.de · www.wagner-ewar.de

WAGNER
EWAR

TOILET ROLL HOLDER AC750



127 x 113 x 25 mm

- Toilet roll holder made of 6 or 3 mm thick, germ-reducing and easy-care stainless steel (AISI 304), visible surfaces bead-blasted.
- Designed for one standard toilet roll with dimensions:
Outer diameter max. 125 mm
Width max. 100 mm
Core diameter min. 38 mm
- Square base plate, with three-point attachment set back behind and anti-theft locking screw at the bottom.
- Mounting with three screws.
- Delivery includes fixing material.
- Weight, including single package: 1.0 kg

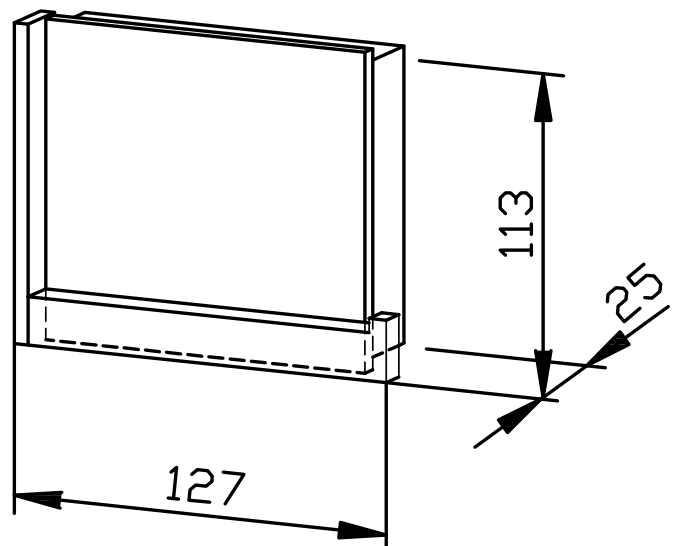


Suggested text for specifications:

Toilet roll holder made of 6 or 3 mm thick, germ-reducing and easy-care stainless steel (AISI 304), visible surfaces bead-blasted, for surface mounting. Square base plate, with three-point attachment set back behind and anti-theft locking screw at the bottom. Delivery includes fixing material.

Dimensions: 127 x 113 x 25 mm

Article No. AC750



Available surface	ID No.
bead blasted	700 750

Ernst Wagner GmbH & Co. KG

Ernst-Abbe-Straße 21 · D-72770 Reutlingen · Tel.: +49712151539-0 · Fax: -20
info@wagner-ewar.de · www.wagner-ewar.de

WAGNER
EWAR

TOILET BRUSH SET AC761



113 x 391 x 121 mm

- Toilet brush set made of 6 or 3 mm thick, germ-reducing and easy-care stainless steel (AISI 304), visible surfaces bead-blasted.
- Square base plate, with three-point attachment set back behind and anti-theft locking screw at the bottom.
- Brush head replaceable.
- Cup removable. Internal stop bolt for optimum brush-position.
- Cup inner diameter 84 mm
Cup height 130 mm
- Mounting with three screws.
- Delivery includes fixing material.
- Weight, including single package: 2.0 kg

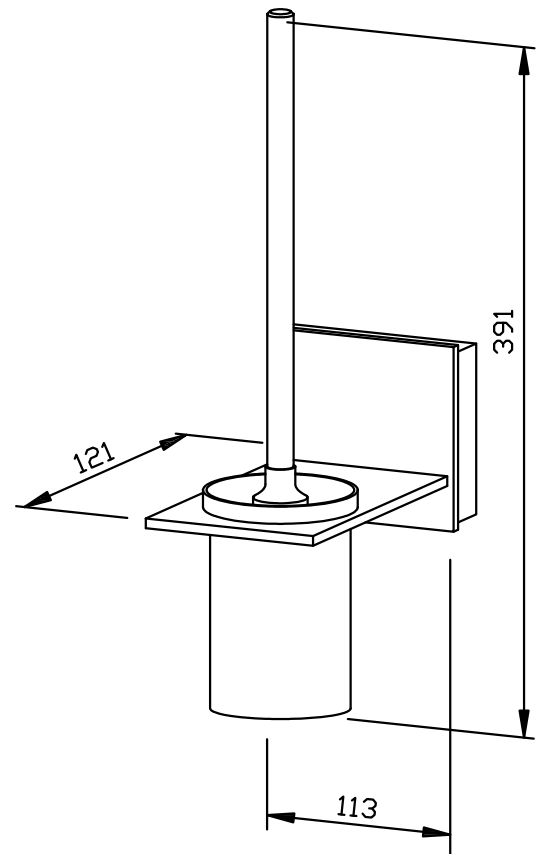


Suggested text for specifications:

Toilet brush set made of 6 or 3 mm thick, germ-reducing and easy-care stainless steel (AISI 304), visible surfaces bead-blasted, for surface mounting. Square base plate, with three-point attachment set back behind and anti-theft locking screw at the bottom. Brush head replaceable, cup removable with internal stop bolt for optimum brush-position. Delivery includes fixing material.

Dimensions: 113 x 391 x 121 mm

Article No. AC761



Available surface	ID No.
bead blasted	700 761

Ernst Wagner GmbH & Co. KG

Ernst-Abbe-Straße 21 · D-72770 Reutlingen · Tel.: +49712151539-0 · Fax: -20
info@wagner-ewar.de · www.wagner-ewar.de

WAGNER
EWAR

TOILET ROLL HOLDER BA010



140 x 60 x 12 mm

- Toilet roll holder in 12 mm thick solid rod in stainless steel (AISI 304), satin finished.
- Permanently welded to (hinged-), (wall-to-floor-) support rail.
- Designed for one standard toilet roll with dimensions:
Outer diameter max. 125 mm
Width max. 100 mm
Core diameter min. 38 mm
- Internal unrolling control mechanism in black TPE.
- Mounting: Fully assembled.
- Weight, including single package: 0.2 kg

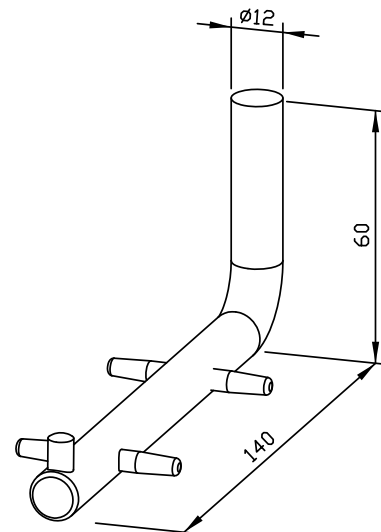


Suggested text for specifications:

Toilet roll holder in 12 mm thick solid rod in stainless steel (AISI 304), satin finished. Permanently welded to (hinged-), (wall-to-floor-) support rail. With internal unrolling control mechanism in black TPE.

Dimensions: 140 x 60 x 12 mm

Article No. BA010



Available surface	ID No.
satin finished	600 010

Ernst Wagner GmbH & Co. KG

Ernst-Abbe-Straße 21 · D-72770 Reutlingen · Tel.: +49712151539-0 · Fax: -20
info@wagner-ewar.de · www.wagner-ewar.de

WAGNER
EWAR

PRE-INSTALLED FIXING PLATE WITH COVER BA017



90 x 250 x 6 mm

- Pre-installed fixing plate in 6 mm thick solid stainless steel (AISI 304).
- Cover in stainless steel (AISI 304), satin finished.
- Designed as a fixing element for retrofitting a (hinged-) support rail.
- Supports weight up to 125 kg.
- Mounting: Fasten pre-installed fixing plate with 6 screws (not included in the delivery). Delivery includes fixing material for cover and (hinged-) support rail.
- Weight, including single package: 1.3 kg

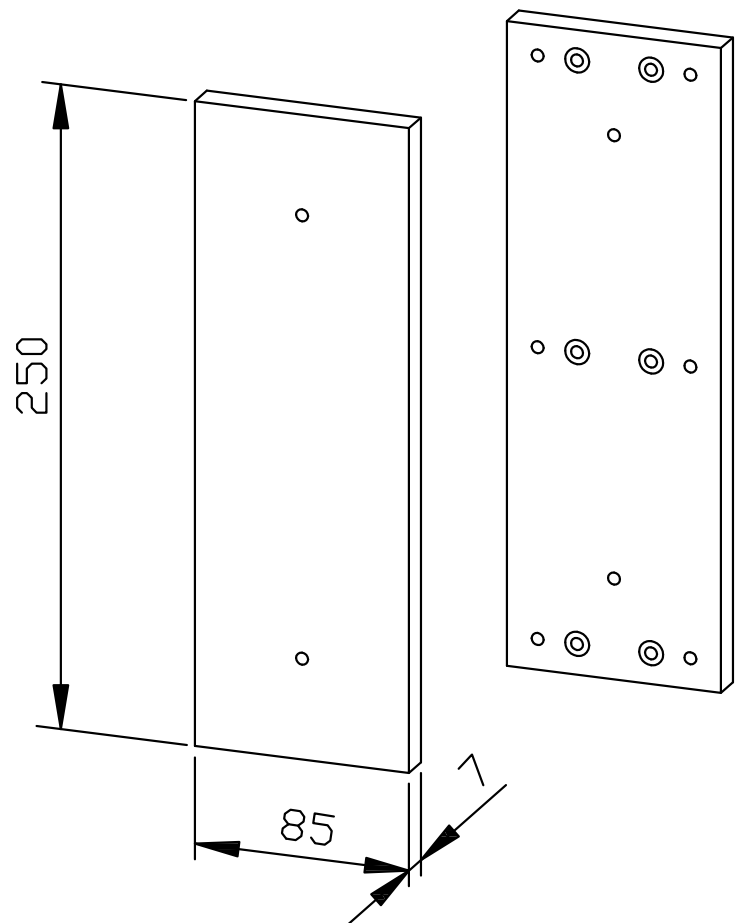


Suggested text for specifications:

Pre-installed fixing plate, 6 mm thick, with cover in stainless steel (AISI 304), satin finished. Designed as fixing element for retrofitting a (hinged-) support rail, supports weight up to 125 kg. Delivery includes fixing material for cover and (hinged-) support rail.

Dimensions: 90 x 250 x 6 mm

Article No. BA017



Available surface	ID No.
satin finished	600 017

Ernst Wagner GmbH & Co. KG

Ernst-Abbe-Straße 21 · D-72770 Reutlingen · Tel.: +49712151539-0 · Fax: -20
info@wagner-ewar.de · www.wagner-ewar.de

WAGNER
EWAR

TOILET FLUSH AND CALL DEVICE BA020



108 x 68 x 71 mm

- Toilet flush and call device, radio-controlled, compatible with 868.4 MHz systems in ABS, grey.
- Individual 32 bit address - can be taught-in at the receiver. Range up to 10 m.
- Operation with capacitive buttons and acoustic acknowledgement by touch tone.
- Battery-powered with 2 x 1.5 V batteries LR-6. Service life approx. 3 years or 100,000 releases.
- Protection rating IP 54
- Mounting: With two plastic clamps on (hinged-), (wall-floor-) support rail. Handle outer diameter max. 33 mm. (Rail provided by the customer).
- Delivery includes fixing material and batteries.
- Weight, including single package: 0.2 kg

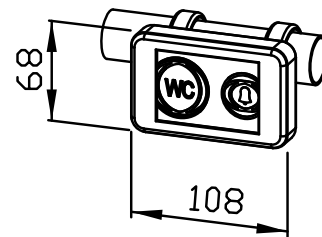


Suggested text for specifications:

Toilet flush and call device, radio-controlled, compatible with 868.4 MHz systems, battery powered, for mounting on (hinged-), (wall-floor-) support rail on site, in ABS, grey. Range up to 10 m. Operation with capacitive buttons and acoustic acknowledgement by touch tone. Protection rating IP 54. Delivery includes fixing material and batteries.

Dimensions: 108 x 68 x 71 mm

Article No. BA020



Options	ID No.
Receiver for call device BA025	600 025

Available surface	ID No.
Plastic, grey	600 020

Ernst Wagner GmbH & Co. KG

Ernst-Abbe-Straße 21 · D-72770 Reutlingen · Tel.: +49712151539-0 · Fax: -20
info@wagner-ewar.de · www.wagner-ewar.de

WAGNER
EWAR

RECEIVER FOR CALL DEVICE BA025



153 x 85 x 110 mm

- Receiver for call device, radio-controlled, compatible with 868.4 MHz systems.
- 5m long, 42V/0.5A loadable, potential-free relay output (NO contact).
- Teach-in function for receiving call-signals.
- Mains-operated with 6V wall plug transformer.
- Mounting: With up to four screws.
- Delivery includes wall plug transformer.
- Weight, including single package: 0.3 kg



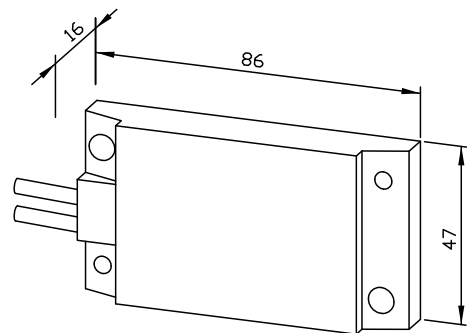
Suggested text for specifications:

Receiver for call device, radio-controlled, compatible with 868.4 MHz-systems, mains-operated with teach-in function. 5m long, 42V/0.5A loadable, potential-free relay output. Delivery includes 6V wall plug transformer.

Dimensions call receiver: 86 x 47 x 16 mm

Dimensions wall plug transformer: 35 x 65 x 64 mm

Article No. BA025



Available surface	ID No.
Plastic	600 025

Ernst Wagner GmbH & Co. KG

Ernst-Abbe-Straße 21 · D-72770 Reutlingen · Tel.: +49712151539-0 · Fax: -20
info@wagner-ewar.de · www.wagner-ewar.de

WAGNER
EWAR

SHOWER HEAD HOLDER BA035



88 x 37 x 113 mm

- Shower head holder in nylon, grey.
- For shower rails with tube diameter 32 mm.
- Continuously height-adjustable and rotatable.
- Cone with stepless angle adjustment, designed for standard hand showers.
- Laterally integrated multi-purpose hook.
- Mounting: By pushing on the shower rail.
- Weight, including single package: 0,1 kg

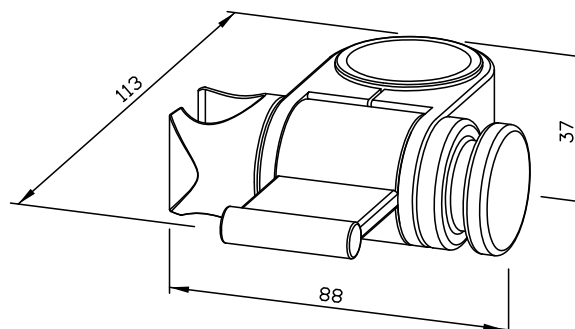


Suggested text for specifications:

Shower head holder with laterally integrated multi-purpose hook for shower rails with tube diameter 32 mm in nylon, grey. Continuously height-adjustable and rotatable. Cone for hand shower with stepless angle adjustment.

Dimensions 88 x 37 x 113 mm

Article No. BA035



Available surface	ID No.
Plastic, grey	600 035

Ernst Wagner GmbH & Co. KG

Ernst-Abbe-Straße 21 · D-72770 Reutlingen · Tel.: +49712151539-0 · Fax: -20
info@wagner-ewar.de · www.wagner-ewar.de

WAGNER
— EWAR

SHOWER CURTAIN RING BA045



56 x 81 x 8 mm

- Shower curtain ring in nylon, grey.
- Open at the top.
- Mounting: By clipping on shower curtain rails with tube diameter 32 mm.
- Weight, including single package: 0.1 kg (Packaging unit: 10 pcs.).



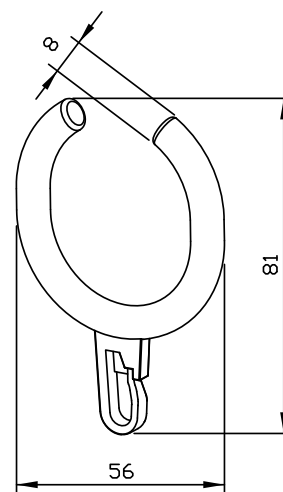
Suggested text for specifications:

Shower curtain ring, open at the top, for shower curtain rails with tube diameter 32 mm, in nylon, grey.

Dimensions: 56 x 81 x 8 mm

Packaging unit 10 pcs.

Article No. BA045



Available surface	ID No.
Plastic, grey	600 045

Ernst Wagner GmbH & Co. KG

Ernst-Abbe-Straße 21 · D-72770 Reutlingen · Tel.: +49712151539-0 · Fax: -20
info@wagner-ewar.de · www.wagner-ewar.de

WAGNER
EWAR

TOILET FLUSH DEVICE BA063



108 x 68 x 71 mm

- Toilet flush device for large and small volume of water, radio-controlled, compatible with 868.4 MHz systems, in ABS, grey.
- Individual 32 bit address, to be taught-in at the receiver. Range up to 10 m.
- Operation with capacitive buttons and acoustic acknowledgement by touch tone.
- Battery-powered with 2 x 1.5 V batteries LR-6. Service life approx. 3 years or 100,000 releases.
- Protection rating IP 54
- Mounting: With two plastic clamps on (hinged-), (wall-floor-) support rail. Handle outer diameter max. 33 mm. (Rail provided by the customer).
- Delivery includes fixing material and batteries.
- Weight, including single package: 0.2 kg

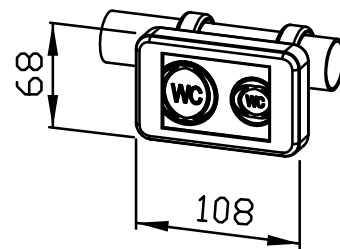


Suggested text for specifications:

Toilet flush device for large and small volume of water, radio-controlled, compatible with 868.4 MHz systems, battery powered, for mounting on (hinged-), (wall-floor-) support rail on site, in ABS, grey. Range up to 10 m. Operation with capacitive buttons and acoustic acknowledgement by touch tone. Protection rating IP 54. Delivery includes fixing material and batteries.

Dimensions: 108 x 68 x 71 mm

Article No. BA063



Available surface	ID No.
Plastic, grey	600 063

Ernst Wagner GmbH & Co. KG

Ernst-Abbe-Straße 21 · D-72770 Reutlingen · Tel.: +49712151539-0 · Fax: -20
info@wagner-ewar.de · www.wagner-ewar.de

WAGNER
EWAR

REMOVABLE BACK REST FOR TOILET SEAT BA250



543 x 180 x 140 mm

- Removable back rest for toilet seat in black polyurethane, including 500 mm rail in stainless steel (AISI 304).
- Removable for cleaning.
- Mounting: Rail with six screws. Back rest is clipped on.
- Delivery includes fixing material.
- Weight, including single package: 4.0 kg

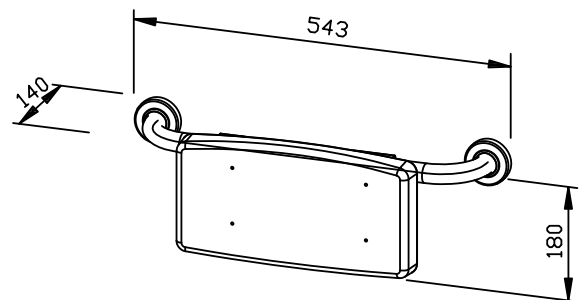


Suggested text for specifications:

Back rest for toilet seat in black polyurethane, including 500 mm rail in stainless steel (AISI 304) for wall mounting. Removable for cleaning. Delivery includes fixing material.

Dimensions: 543 x 180 x 140 mm

Article No. BA250



Available surface	ID No.
satin finished / plastics black	600 250

Ernst Wagner GmbH & Co. KG

Ernst-Abbe-Straße 21 · D-72770 Reutlingen · Tel.: +49712151539-0 · Fax: -20
info@wagner-ewar.de · www.wagner-ewar.de

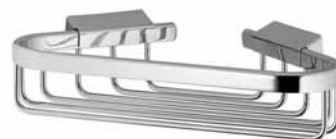
WAGNER
EWAR

CORNER BASKET BA260



220 x 47 x 160 mm

- Corner basket in chrome-plated brass.
- Solid edge and 4 mm thick wires.
- Concealed anti-theft wall mountings.
- Mounting: With four screws.
- Delivery includes fixing material.
- Weight, including single package: 0.6 kg

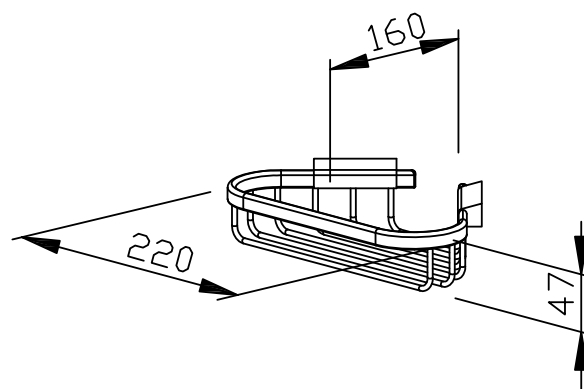


Suggested text for specifications:

Corner basket in chrome-plated brass. Solid edge and 4 mm thick wires. Concealed anti-theft wall mountings. Delivery includes fixing material.

Dimensions: 220 x 47 x 160 mm

Article No. BA260



Available surface	ID No.
Chrome-plated brass	600 260

Ernst Wagner GmbH & Co. KG

Ernst-Abbe-Straße 21 · D-72770 Reutlingen · Tel.: +49712151539-0 · Fax: -20
info@wagner-ewar.de · www.wagner-ewar.de

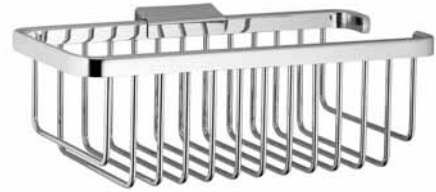
WAGNER
EWAR

STRAIGHT BASKET BA270



265 x 87 x 123 mm

- Straight basket in chrome-plated brass.
- Solid edge and 4 mm thick wires.
- Concealed anti-theft wall mountings.
- Mounting: With two screws.
- Delivery includes fixing material.
- Weight, including single package: 0.9 kg

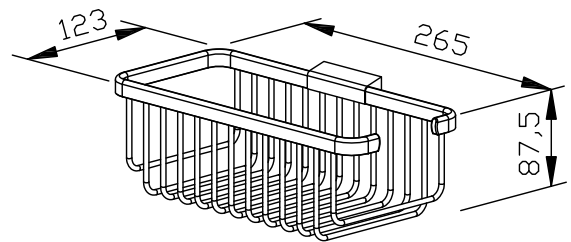


Suggested text for specifications:

Straight basket in chrome-plated brass. Solid edge and 4 mm thick wires. Concealed anti-theft wall mountings. Delivery includes fixing material.

Dimensions: 265 x 87 x 123 mm

Article No. BA270



Available surface	ID No.
Chrome-plated brass	600 270

Ernst Wagner GmbH & Co. KG

Ernst-Abbe-Straße 21 · D-72770 Reutlingen · Tel.: +49712151539-0 · Fax: -20
info@wagner-ewar.de · www.wagner-ewar.de

WAGNER
EWAR

ADJUSTABLE MIRROR BA300



600 x 540 x 90 mm

- Adjustable mirror in robust, germ-reducing and easy-care stainless steel mirror sheet metal (AISI 304).
- All-stainless steel construction, control lever satin finished, to be installed left or right.
- Tilt angle continuously adjustable +/- 15°.
- Mounting: With four screws through key holes and one optional anti-theft hole in the wall console.
- Delivery includes fixing material.
- Weight, including single package: 9.0 kg

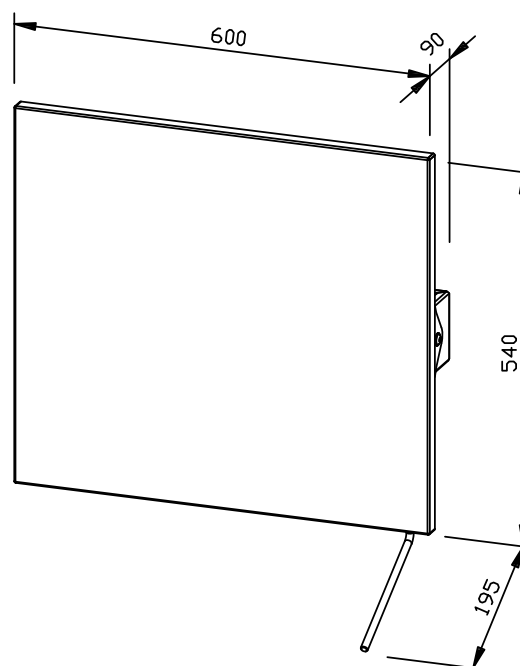


Suggested text for specifications:

Adjustable mirror in robust, germ-reducing and easy-care stainless steel mirror sheet metal (AISI 304). All-stainless steel construction, control lever satin finished, to be installed left or right. Tilt angle continuously adjustable +/- 15°. Delivery includes fixing material.

Dimensions: 600 x 540 x 90 mm

Article No. BA300



Available surface	ID No.
Mirror sheet metal	601 300

Ernst Wagner GmbH & Co. KG

Ernst-Abbe-Straße 21 · D-72770 Reutlingen · Tel.: +49712151539-0 · Fax: -20
info@wagner-ewar.de · www.wagner-ewar.de

WAGNER
EWAR

300-1000 mm

- Grab rail in robust, germ-reducing and easy-care stainless steel (AISI 304), satin finished.
- Outer diameter of tubes 32 mm for ergonomic hold, clearance from wall 106 mm, bend radii 75 mm.
- Wall mountings with 8-point mounting plate – can be freely rotated, 4 mm thick with 2K-wall sealing-disc.
- Supports weight up to 125 kg.
- Concealed fixings 75 mm in diameter, anti-theft, with silicone sealing ring at tube joint.
- TÜV-certified in accordance with DIN EN 12182, CE-marked in accordance with 93/42 EEC.
- Mounting: With six screws.
- Delivery includes fixing material.
- Intermediate sizes available upon request.

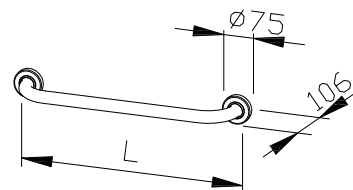


Suggested text for specifications:

Grab rail in stainless steel (AISI 304), outer diameter of tubes 32 mm, clearance from wall 106 mm, surface satin finished. Wall mountings with 8-point mounting plate – can be freely rotated, 4 mm thick with 2K-wall sealing-disc; supports weight up to 125 kg. Concealed fixings 75 mm in diameter, anti-theft, with silicone sealing ring at tube joint. TÜV-certified in accordance with DIN EN 12182, CE-marked in accordance with 93/42 EEC. Delivery includes fixing material.

Length mm

Article No. BF600



Available surface	Length / ID No.				
	300 mm	400 mm	500 mm	600 mm	1000 mm
satin finished (standard)	600 300	600 400	600 500	600 600	601 000

500-850 mm

- Support rail in robust, germ-reducing and easy-care stainless steel (AISI 304), satin finished.
- Outer diameter of tubes 32 mm for ergonomic hold, bend radii 75 mm.
- Wall mountings with 6-point mounting plate, 90 x 250 x 4 mm, and with 2K-wall sealing-disc.
- Supports weight up to 125 kg.
- Fastening concealed by self-locking wall cover.
- TÜV-certified in accordance with DIN EN 12182, CE-marked in accordance with 93/42 EEC.
- Mounting: With six screws.
- Fixing material available as accessories for different kinds of walls.
- Intermediate sizes available upon request.

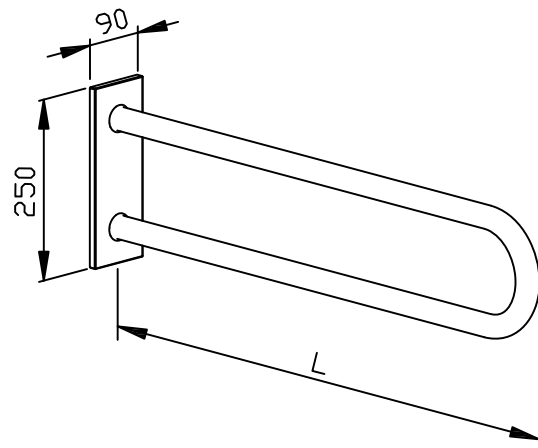


Suggested text for specifications:

Support rail in stainless steel (AISI 304), outer diameter of tubes 32 mm, surface satin finished. Wall mountings with 6-point mounting plate, 90 x 250 x 4 mm, and with 2K-wall sealing-disc; supports weight up to 125 kg. Fastening concealed by self-locking wall cover. TÜV-certified in accordance with DIN EN 12182, CE-marked in accordance with 93/42 EEC

Length mm

Article No. BF611



Options	ID No.
Toilet roll holder BA 010	600 010
Pre-installed fixing plate with cover BA 017	600 017
Toilet flush and call device BA 020	600 020
Toilet flush device BA 063	600 063

Accessories fixing material / wall structure	ID No.
Wood	923 210
Concrete (>B15)	923 211
light concrete/gas concrete/vertical coring bricks	923 212

Available surface	Length / ID No.			
	500 mm	600 mm	700 mm	850 mm
satin finished (standard)	611 500	611 600	611 700	611 800

ANGLED GRAB RAIL 90° BF620



650 x 350-750 x 400 mm

- Angled grab rail 90° in robust, germ-reducing and easy-care stainless steel (AISI 304), satin finished.
- Outer diameter of tubes 32 mm for ergonomic hold, clearance from wall 106 mm, bend radii 75 mm.
- Wall mountings with 8-point mounting plate – can be freely rotated, 4 mm thick with 2K-wall sealing-disc.
- Supports weight up to 125 kg.
- Concealed fixings 75 mm in diameter, anti-theft, with silicone sealing ring at tube joint.
- TÜV-certified in accordance with DIN EN 12182, CE-marked in accordance with 93/42 EEC.
- Mounting: With nine screws.
- Delivery includes fixing material.
- Intermediate sizes available upon request.



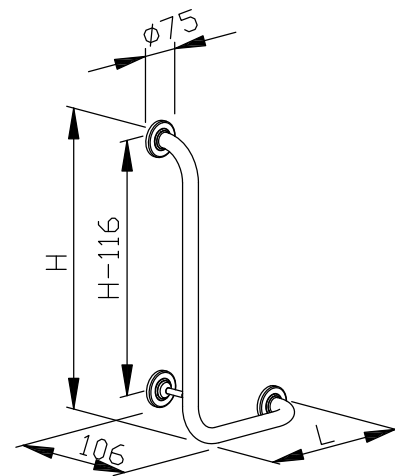
Suggested text for specifications:

Angled grab rail 90° in stainless steel (AISI 304), outer diameter of tubes 32 mm, clearance from wall 106 mm, surface satin finished. Wall mountings with 8-point mounting plate – can be freely rotated, 4 mm thick with 2K-wall sealing-disc; supports weight up to 125 kg. Concealed fixings 75 mm in diameter, anti-theft, with silicone sealing ring at tube joint. TÜV-certified in accordance with DIN EN 12182, CE-marked in accordance with 93/42 EEC. Delivery includes fixing material.

Version: left / right

Length x Height mm

Article No. BF620



Available surface	Length x Height / ID No.			
	650 x 350 mm left	650 x 350 mm right	750 x 400 mm left	750 x 400 mm right
satin finished (standard)	620 100	620 200	620 300	620 400

Ernst Wagner GmbH & Co. KG

Ernst-Abbe-Straße 21 · D-72770 Reutlingen · Tel.: +49712151539-0 · Fax: -20
info@wagner-ewar.de · www.wagner-ewar.de

WAGNER
EWAR

500 mm

- Angled grab rail 45° in robust, germ-reducing and easy-care stainless steel (AISI 304), satin finished. Further available surfaces: see below.
- Outer diameter of tubes 32 mm for ergonomic hold, clearance from wall 106 mm, bend radii 75 mm.
- Wall mountings with 8-point mounting plate – can be freely rotated, 4 mm thick with 2K-wall sealing-disc.
- Supports weight up to 125 kg.
- Concealed fixings 75 mm in diameter, anti-theft, with silicone sealing ring at tube joint.
- TÜV-certified in accordance with DIN EN 12182, CE-marked in accordance with 93/42 EEC.
- Mounting: With six screws.
- Delivery includes fixing material.
- Intermediate sizes available upon request.



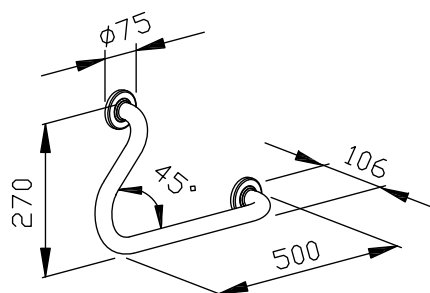
Suggested text for specifications:

Angled grab rail 45° in stainless steel (AISI 304), outer diameter of tubes 32 mm, clearance from wall 106 mm, surface satin finished. Wall mountings with 8-point mounting plate – can be freely rotated, 4 mm thick with 2K-wall sealing-disc; supports weight up to 125 kg. Concealed fixings 75 mm in diameter, anti-theft, with silicone sealing ring at tube joint. TÜV-certified in accordance with DIN EN 12182, CE-marked in accordance with 93/42 EEC. Delivery includes fixing material.

Version: left / right

Length 500 x Height 270 mm

Article No. BF630



Available surface	Length / ID No.	
	500 mm left	500 mm right
satin finished (standard)	630 300	630 400

ANGLED GRAB RAIL 135° BF635



700 mm

- Angled grab rail 135° in robust, germ-reducing and easy-care stainless steel (AISI 304), satin finished.
- Outer diameter of tubes 32 mm for ergonomic hold, clearance from wall 106 mm, bend radii 75 mm.
- Wall mountings with 8-point mounting plate – can be freely rotated, 4 mm thick with 2K-wall sealing-disc.
- Supports weight up to 125 kg.
- Concealed fixings 75 mm in diameter, anti-theft, with silicone sealing ring at tube joint.
- TÜV-certified in accordance with DIN EN 12182, CE-marked in accordance with 93/42 EEC.
- Mounting: With six screws.
- Delivery includes fixing material.
- Intermediate sizes available upon request.



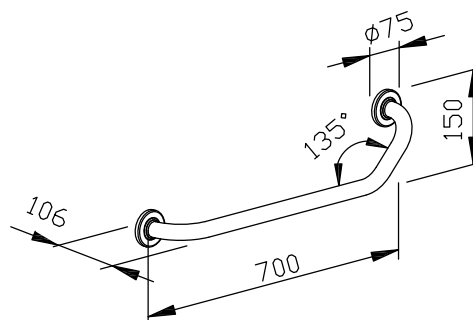
Suggested text for specifications:

Angled grab rail 135° in stainless steel (AISI 304), outer diameter of tubes 32 mm, clearance from wall 106 mm, surface satin finished. Wall mountings with 8-point mounting plate – can be freely rotated, 4 mm thick with 2K-wall sealing-disc; supports weight up to 125 kg. Concealed fixings 75 mm in diameter, anti-theft, with silicone sealing ring at tube joint. TÜV-certified in accordance with DIN EN 12182, CE-marked in accordance with 93/42 EEC. Delivery includes fixing material.

Version: left / right

Length 700 x Height 150 mm

Article No. BF635



Available surface	Length / ID No.	
	700 mm left	700 mm right
satin finished (standard)	635 100	635 200

Ernst Wagner GmbH & Co. KG

Ernst-Abbe-Straße 21 · D-72770 Reutlingen · Tel.: +49712151539-0 · Fax: -20
info@wagner-ewar.de · www.wagner-ewar.de

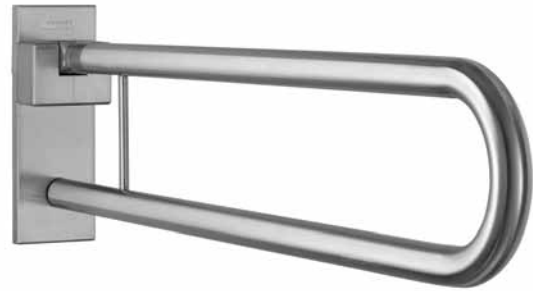
WAGNER
EWAR

HINGED SUPPORT RAIL BF670



600-850 mm

- Hinged support rail in robust, germ-reducing and easy-care stainless steel (AISI 304), satin finished.
- Outer diameter of tubes 32 mm for ergonomic hold, bend radii 75 mm.
- Full metal hinge with individually adjustable brake.
- Wall mountings with 6-point mounting plate, 90 x 250 x 4 mm, and with 2K-wall sealing-disc.
- Supports weight up to 125 kg.
- Fastening concealed by self-locking wall cover.
- TÜV-certified in accordance with DIN EN 12182, CE-marked in accordance with 93/42 EEC.
- Mounting: With six screws.
- Fixing material available as accessories for different kinds of walls.
- Intermediate sizes available upon request.

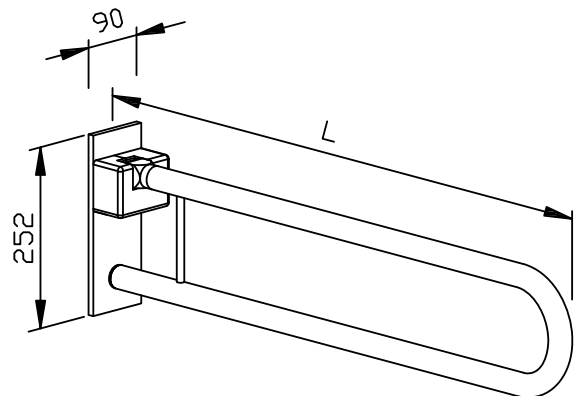


Suggested text for specifications:

Hinged support rail in stainless steel (AISI 304), outer diameter of tubes 32 mm, surface satin finished. Full metal hinge with individually adjustable brake. Wall mountings with 6-point mounting plate, 90 x 250 x 4 mm, and with 2K-wall sealing-disc; supports weight up to 125 kg. Fastening concealed by self-locking wall cover. TÜV-certified in accordance with DIN EN 12182, CE-marked in accordance with 93/42 EEC.

Length mm

Article No. BF670



Options	ID No.
Toilet roll holder BA010	600 010
Pre-installed fixing plate with cover BA017	600 017
Toilet flush and call device BA020	600 020
Toilet flush device BA063	600 063

Accessories fixing material / wall structure	ID No.
Wood	923 210
Concrete (>B15)	923 211
light concrete/gas concrete/vertical coring bricks	923 212

Available surface	Length / ID No.		
	600 mm	700 mm	850 mm
satin finished (standard)	670 100	670 200	670 300

Ernst Wagner GmbH & Co. KG

Ernst-Abbe-Straße 21 · D-72770 Reutlingen · Tel.: +49712151539-0 · Fax: -20
info@wagner-ewar.de · www.wagner-ewar.de

WAGNER
EWAR

SINGLE HOOK PC215



Ø 45 x 36 mm

- Single hook in solid, germ-reducing and easy-care stainless steel (AISI 303), satin finished.
Further available surfaces: see below.
- Open two-point wall disc mounting.
- Holder diameter 16 mm
Length 36 mm
- Mounting: With two screws.
- Delivery includes fixing material.
- Weight, including single package: 0.1 kg

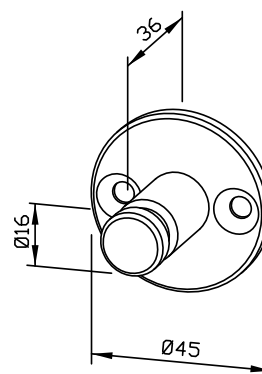


Suggested text for specifications:

Single hook in solid stainless steel (AISI 303), satin finished, for surface mounting. Open two-point wall disc mounting. Delivery includes fixing material.

Dimensions: Ø 45 x 36 mm

Article No. PC215



Available surfaces	ID No.
satin finished (standard)	720 215
highly polished	735 215

Ernst Wagner GmbH & Co. KG

Ernst-Abbe-Straße 21 · D-72770 Reutlingen · Tel.: +49712151539-0 · Fax: -20
info@wagner-ewar.de · www.wagner-ewar.de

WAGNER
EWAR

Ø 45 x 80 mm

- Reserve toilet roll holder in solid, germ-reducing and easy-care stainless steel (AISI 303), satin finished.
Further available surfaces: see below.
- Designed for one standard toilet roll with dimensions:
Outer diameter max. 125 mm
Width max. 100 mm
Core diameter min. 38 mm
- Open two-point wall disc mounting.
- Holder diameter 16 mm
Length 80 mm
- Mounting: With two screws.
- Delivery includes fixing material.
- Weight, including single package: 0.2 kg

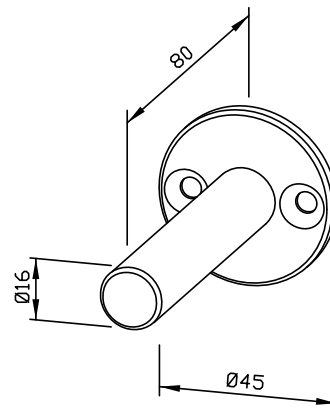


Suggested text for specifications:

Reserve toilet roll holder in solid stainless steel (AISI 303), satin finished, for surface mounting. Open two-point wall disc mounting. Delivery includes fixing material.

Dimensions: Ø 45 x 80 mm

Article No. PC222



Available surfaces	ID No.
satin finished (standard)	720 222
highly polished	735 222

TOILET ROLL HOLDER PC250



144 x 107 x 36 mm

- Toilet roll holder in solid, germ-reducing and easy-care stainless steel Edelstahl (AISI 303), satin finished. Further available surfaces: see below.
- Designed for one standard toilet roll with dimensions:
 - Outer diameter max. 125 mm
 - Width max. 100 mm
 - Core diameter min. 38 mm
- Open two-point wall disc mounting.
- Can be mounted pointing right or left.
- Holder diameter 16 mm
Roll holder diameter 8 mm
- Mounting: With two screws.
- Delivery includes fixing material.
- Weight, including single package: 0.3 kg

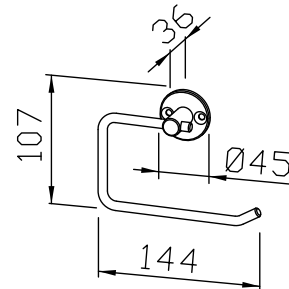


Suggested text for specifications:

Toilet roll holder in solid stainless steel (AISI 303), satin finished, for surface mounting. Open two-point wall disc mounting. Can be mounted pointing right or left. Delivery includes fixing material.

Dimensions: 144 x 107 x 36 mm

Article No. PC250



Available surfaces	ID No.
satin finished (standard)	720 250
highly polished	735 250

Ernst Wagner GmbH & Co. KG

Ernst-Abbe-Straße 21 · D-72770 Reutlingen · Tel.: +49712151539-0 · Fax: -20
info@wagner-ewar.de · www.wagner-ewar.de

WAGNER
EWAR

TOILET BRUSH SET PC261



110 x 410 x 115 mm

- Toilet brush set in robust, germ-reducing and easy-care stainless steel (AISI 304) for surface mounting.
- Front panel with horizontal rounded edges. Visible surfaces satin finished and brushed. Further available surfaces: see below.
- Brush head replaceable.
- Cup with reservoir in polypropylene, removable.
- Mounting: With four screws through key holes and one optional anti-theft hole.
- Delivery includes fixing material.
- Weight, including single package: 1.0 kg

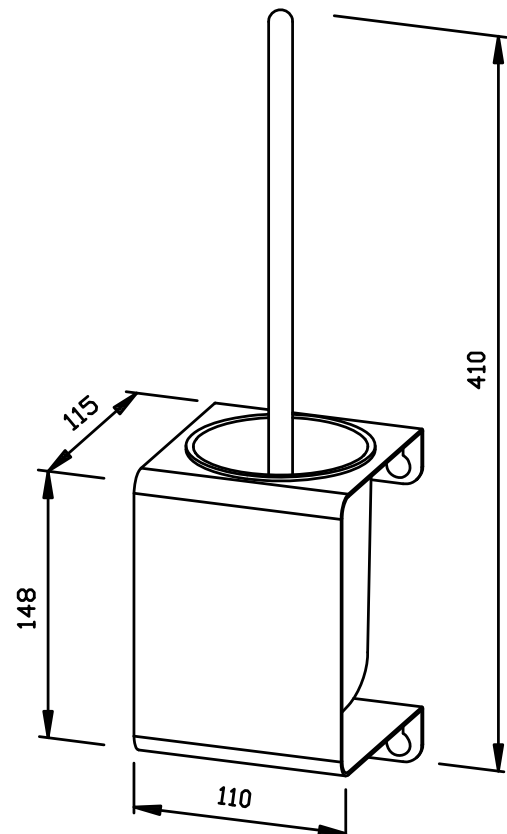


Suggested text for specifications:

Toilet brush set in stainless steel (AISI 304) for surface mounting. Front panel with horizontal rounded edges. Visible surfaces satin finished and brushed. Brush head replaceable, cup with reservoir in polypropylene, removable. Delivery includes fixing material.

Dimensions: 110 x 410 x 115 mm

Article No. PC261



Available surfaces	ID No.
satin finished (standard)	720 261
highly polished	735 261

Ernst Wagner GmbH & Co. KG

Ernst-Abbe-Straße 21 · D-72770 Reutlingen · Tel.: +49712151539-0 · Fax: -20
info@wagner-ewar.de · www.wagner-ewar.de

WAGNER
EWAR

PAPER TOWEL DISPENSER PP13



298 x 298 x 120 mm

approx. 500 paper towels

- Paper towel dispenser in robust, germ-reducing and easy-care stainless steel (AISI 304).
- All-stainless steel housing with rounded vertical corners, open at the top. Visible surfaces satin finished and brushed. Further available surfaces: see below.
- Designed for approx. 500 standard paper towels in zigzag fold.
Paper size (folded): 240-250 mm x 100-115 mm.
- Inspection slot to indicate fill level.
- Refillable from the top.
- Mounting: With three screws through key holes and one optional anti-theft hole in the back wall.
- Delivery includes fixing material.
- Weight, including single package: 3.3 kg

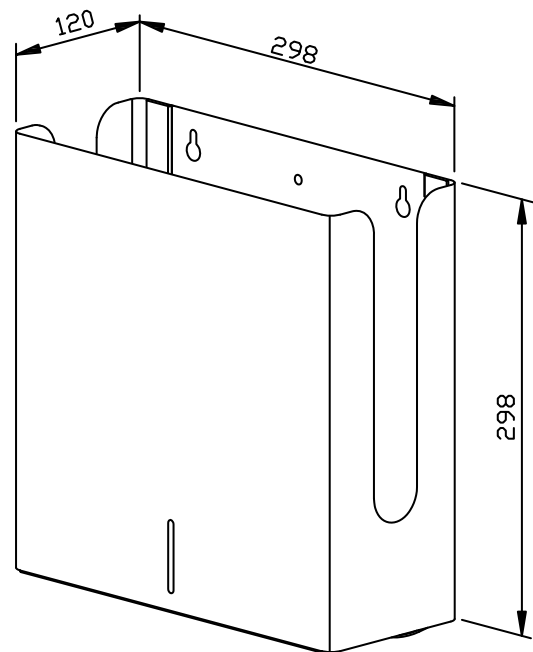


Suggested text for specifications:

Paper towel dispenser in stainless steel (AISI 304) for surface mounting. All-stainless steel housing with rounded vertical corners, open at the top. Visible surfaces satin finished and brushed. Filling quantity approx. 500 paper towels. Inspection slot to indicate fill level. Refillable from the top. Delivery includes fixing material.

Dimensions: 298 x 298 x 120 mm

Article No. PP13



Available surfaces	ID No.
satin finished (standard)	727 280
highly polished	732 280
(coloured) plastic powder-coating	729 280

Ernst Wagner GmbH & Co. KG

Ernst-Abbe-Straße 21 · D-72770 Reutlingen · Tel.: +49712151539-0 · Fax: -20
info@wagner-ewar.de · www.wagner-ewar.de

WAGNER
EWAR

70 x 172 x 90 mm

200 ml soap tank

- Liquid soap dispenser in robust, germ-reducing and easy-care stainless steel (AISI 316L).
- All-stainless steel housing with rounded vertical corners. Visible surfaces satin finished and brushed. Further available surfaces: see below.
- One-hand operated and non-drip soap pump with 200 ml tank.
- Tank with large, lockable refill opening.
- Designed for standard liquid soaps or hand lotions.
- Inspection slot to indicate fill level.
- Accessible for refilling through hinged housing.
- With spring-clip locking.
- Wear parts can be replaced as modules.
- Mounting: With four screws through key holes and one optional anti-theft hole in the back wall.
- Delivery includes fixing material.
- Weight, including single package: 0.7 kg

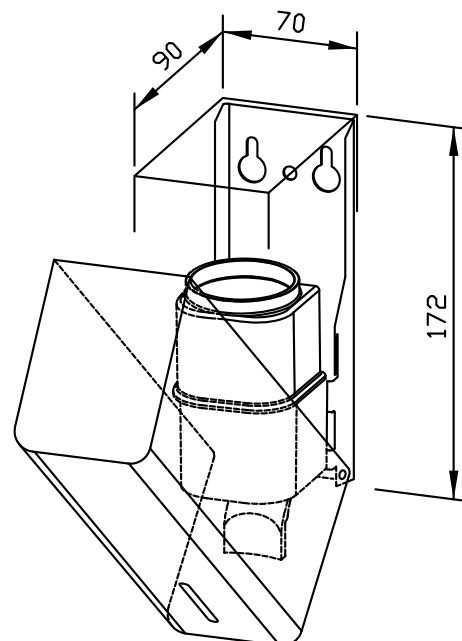


Suggested text for specifications:

Liquid soap dispenser in stainless steel (AISI 316L) for surface mounting. All-stainless steel housing with rounded vertical corners. Visible surfaces satin finished and brushed. One-hand operated and non-drip soap pump with 200 ml tank. Designed for standard liquid soaps or hand lotions. Inspection slot to indicate fill level. Accessible for refilling through hinged housing. With spring-clip locking. Delivery includes fixing material.

Dimensions: 70 x 172 x 90 mm

Article No. PP17



Available surfaces	ID No.
satin finished (standard)	727 335
highly polished	731 335
(coloured) plastic powder-coating	728 335

LIQUID SOAP DISPENSER PP101



80 x 248 x 120 mm

700 ml soap tank

- Liquid soap dispenser in robust, germ-reducing and easy-care stainless steel (AISI 316L).
- All-stainless steel housing with rounded vertical corners. Visible surfaces satin finished and brushed. Further available surfaces: see below.
- One-hand operated and non-drip soap pump with 700 ml tank.
- Tank with large, lockable refill opening.
- Designed for standard liquid soaps or hand lotions.
- Inspection slot to indicate fill level.
- Accessible for refilling through lockable, hinged housing.
- Keyed alike cylinder lock in corrosion-resistant zinc die-casting.
- Wear parts can be replaced as modules.
- Mounting: With four screws through key holes and one optional anti-theft hole in the back wall.
- Delivery includes fixing material.
- Weight, including single package: 1.2 kg

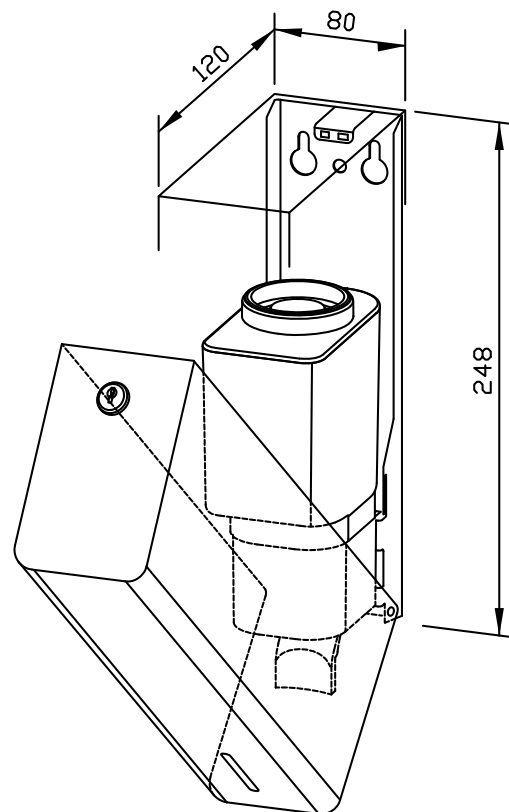


Suggested text for specifications:

Liquid soap dispenser in stainless steel (AISI 316L) for surface mounting. All-stainless steel housing with rounded vertical corners. Visible surfaces satin finished and brushed. One-hand operated and non-drip soap pump with 700 ml tank. Designed for standard liquid soaps or hand lotions. Inspection slot to indicate fill level. Accessible for refilling through lockable, hinged housing. Keyed alike cylinder lock in corrosion-resistant zinc die-casting. Delivery includes fixing material.

Dimensions: 80 x 248 x 120 mm

Article No. PP101



Options	ID No.
Receptacle for WP/PP101	923 138

Available surfaces	ID No.
satin finished (standard)	727 337
highly polished	731 337
(coloured) plastic powder-coating	728 337

Ernst Wagner GmbH & Co. KG

Ernst-Abbe-Straße 21 · D-72770 Reutlingen · Tel.: +49712151539-0 · Fax: -20
info@wagner-ewar.de · www.wagner-ewar.de

WAGNER
EWAR

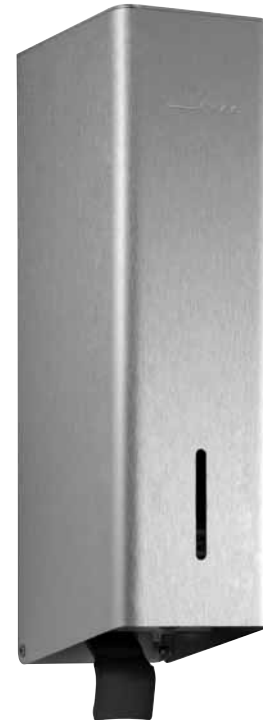
DISINFECTANT DISPENSER PP101-7



80 x 248 x 120 mm

700 ml tank

- Disinfectant dispenser in robust, germ-reducing and easy-care stainless steel (AISI 316L).
- All-stainless steel housing with rounded vertical corners. Visible surfaces satin finished and brushed. Further available surfaces: see below.
- One-hand operated disinfectant pump with 700 ml tank.
- Tank with large, lockable refill opening.
- Designed for standard disinfectants for hands.
- Inspection slot to indicate fill level.
- Accessible for refilling through lockable, hinged housing.
- Keyed alike cylinder lock in corrosion-resistant zinc die-casting.
- Wear parts can be replaced as modules.
- Mounting: With four screws through key holes and one optional anti-theft hole in the back wall.
- Delivery includes fixing material.
- Weight, including single package: 1.2 kg

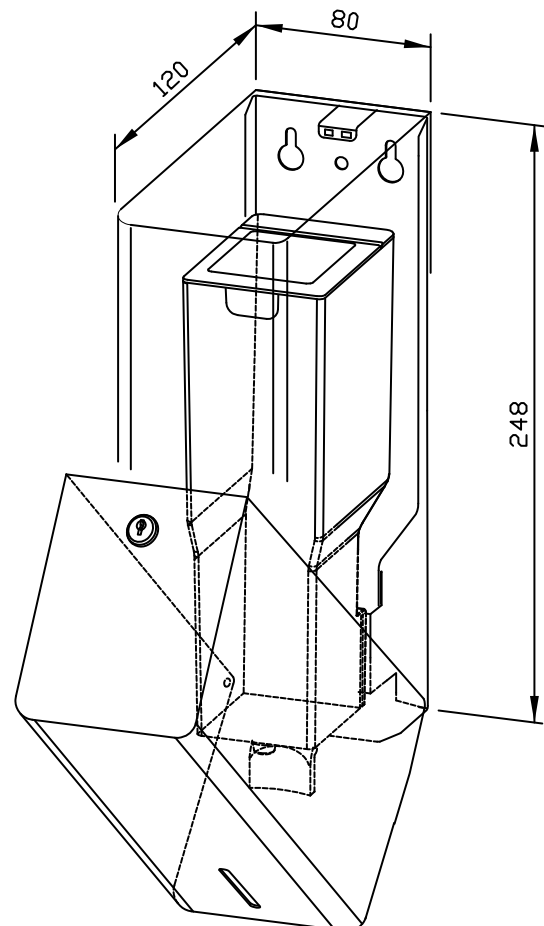


Suggested text for specifications:

Disinfectant dispenser in stainless steel (AISI 316L) for surface mounting. All-stainless steel housing with rounded vertical corners. Visible surfaces satin finished and brushed. One-hand operated disinfectant pump with 700-ml tank. Designed for standard disinfectants for hands. Inspection slot to indicate fill level. Accessible for refilling through lockable, hinged housing. Keyed alike cylinder lock in corrosion-resistant zinc die-casting. Delivery includes fixing material.

Dimensions: 80 x 248 x 120 mm

Article No. PP101-7



Options	ID No.
Receptacle for WP/PP101	923 138

Available surfaces	ID No.
satin finished (standard)	727 349
highly polished	731 349
(coloured) plastic powder-coating	728 349

Ernst Wagner GmbH & Co. KG

Ernst-Abbe-Straße 21 · D-72770 Reutlingen · Tel.: +49712151539-0 · Fax: -20
info@wagner-ewar.de · www.wagner-ewar.de

WAGNER
EWAR

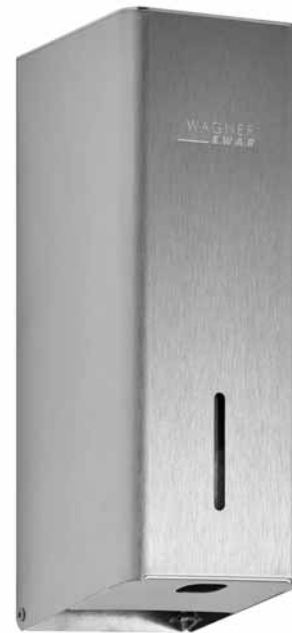
SENSOR DISINFECTANT DISPENSER PP101E-7



86 x 257 x 120 mm

700 ml tank

- Sensor disinfectant dispenser in robust, germ-reducing and easy-care stainless steel (AISI 316L).
- All-stainless steel housing with rounded vertical corners, visible surfaces satin finished and brushed. Further available surfaces: see below.
- With EWAR® eModule touch-free operated disinfectant pump with 700 ml tank.
- Designed for standard disinfectants for hands.
- Inspection slot to indicate fill level.
- Accessible for refilling through lockable, hinged housing.
- Keyed alike cylinder lock in corrosion-resistant zinc die-casting.
- eModule battery-powered with two 1.5 V Baby/LR14 batteries. Power supply available as an option.
- Wear parts can be replaced as modules.
- Mounting: With three screws through key holes and one optional anti-theft hole in the back wall.
- Delivery includes fixing material and batteries.
- Weight, including single package: 1.8 kg



Suggested text for specifications:

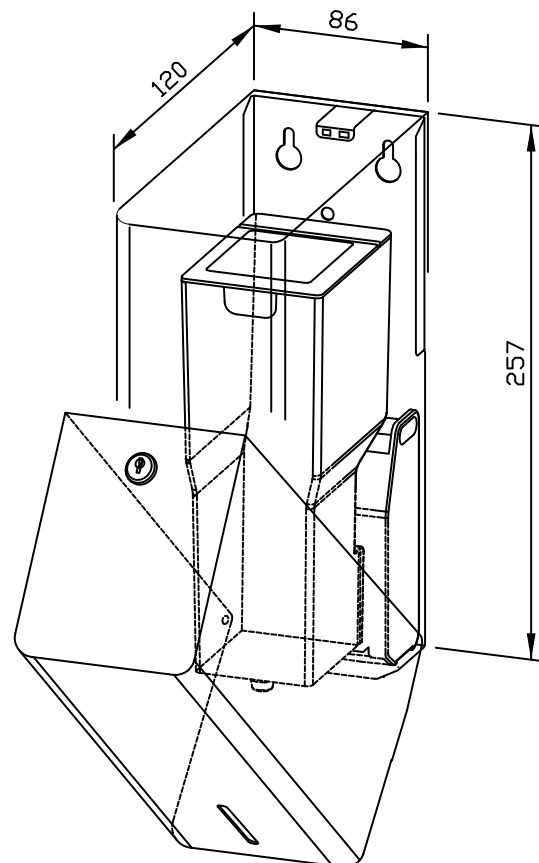
Sensor disinfectant dispenser in stainless steel (AISI 316L) for surface mounting. All-stainless steel housing with rounded vertical corners, visible surfaces satin finished and brushed. With touch-free operated disinfectant pump with 700 ml tank. Designed for standard disinfectants for hands. Inspection slot to indicate fill level. Accessible for refilling through lockable, hinged housing. Keyed alike cylinder lock in corrosion-resistant zinc die-casting. Delivery includes fixing material and batteries.

Dimensions: 86 x 257 x 120 mm

Article No. PP101e-7

Options	ID No.
Power supply for eModule	923 060
Receptacle for WP101e + WP/PP101e-7	923 140

Available surfaces	ID No.
satin finished (standard)	727 817
highly polished	731 817
(coloured) plastic powder-coating	728 817



Ernst Wagner GmbH & Co. KG

Ernst-Abbe-Straße 21 · D-72770 Reutlingen · Tel.: +49712151539-0 · Fax: -20
info@wagner-ewar.de · www.wagner-ewar.de

WAGNER
EWAR

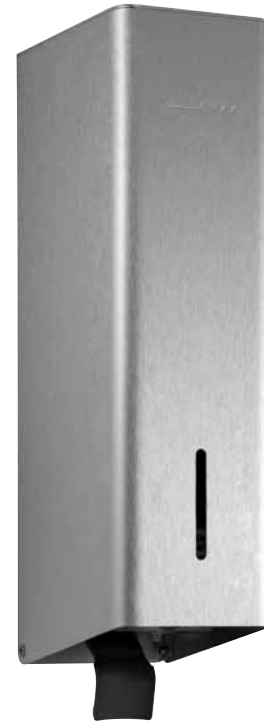
LIQUID SOAP DISPENSER PP102



80 x 298 x 120 mm

1100 ml soap tank

- Liquid soap dispenser in robust, germ-reducing and easy-care stainless steel (AISI 316L).
- All-stainless steel housing with rounded vertical corners. Visible surfaces satin finished and brushed. Further available surfaces: see below.
- One-hand operated and non-drip soap pump with 1100 ml tank.
- Tank with large, lockable refill opening.
- Designed for standard liquid soaps or hand lotions.
- Inspection slot to indicate fill level.
- Accessible for refilling through lockable, hinged housing.
- Keyed alike cylinder lock in corrosion-resistant zinc die-casting.
- Wear parts can be replaced as modules.
- Mounting: With four screws through key holes and one optional anti-theft hole in the back wall.
- Delivery includes fixing material.
- Weight, including single package: 1.4 kg

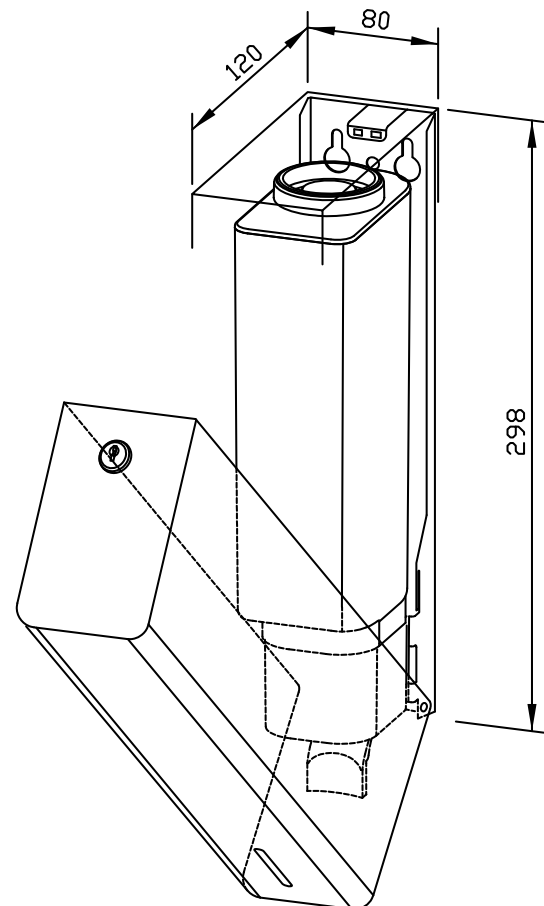


Suggested text for specifications:

Liquid soap dispenser in stainless steel (AISI 316L) for surface mounting. All-stainless steel housing with rounded vertical corners. Visible surfaces satin finished and brushed. One-hand operated and non-drip soap pump with 1100-ml tank. Designed for standard liquid soaps or hand lotions. Inspection slot to indicate fill level. Accessible for refilling through lockable, hinged housing. Keyed alike cylinder lock in corrosion-resistant zinc die-casting. Delivery includes fixing material.

Dimensions: 80 x 298 x 120 mm

Article No. PP102



Options

ID No.

Receptacle for WP/PP102/103

923 137

Available surfaces

ID No.

satin finished (standard)

727 339

highly polished

731 339

(coloured) plastic powder-coating

728 339

Ernst Wagner GmbH & Co. KG

Ernst-Abbe-Straße 21 · D-72770 Reutlingen · Tel.: +49712151539-0 · Fax: -20
info@wagner-ewar.de · www.wagner-ewar.de

WAGNER
EWAR

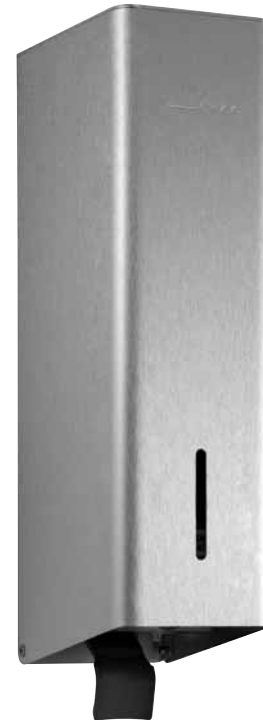
DISINFECTANT DISPENSER PP102-7



80 x 298 x 120 mm

950 ml tank

- Disinfectant dispenser in robust, germ-reducing and easy-care stainless steel (AISI 316L).
- All-stainless steel housing with rounded vertical corners. Visible surfaces satin finished and brushed. Further available surfaces: see below.
- One-hand operated disinfectant pump with 950 ml tank.
- Tank with large, lockable refill opening.
- Designed for standard disinfectants for hands.
- Inspection slot to indicate fill level.
- Accessible for refilling through lockable, hinged housing.
- Keyed alike cylinder lock in corrosion-resistant zinc die-casting.
- Wear parts can be replaced as modules.
- Mounting: With four screws through key holes and one optional anti-theft hole in the back wall.
- Delivery includes fixing material.
- Weight, including single package: 1.3 kg

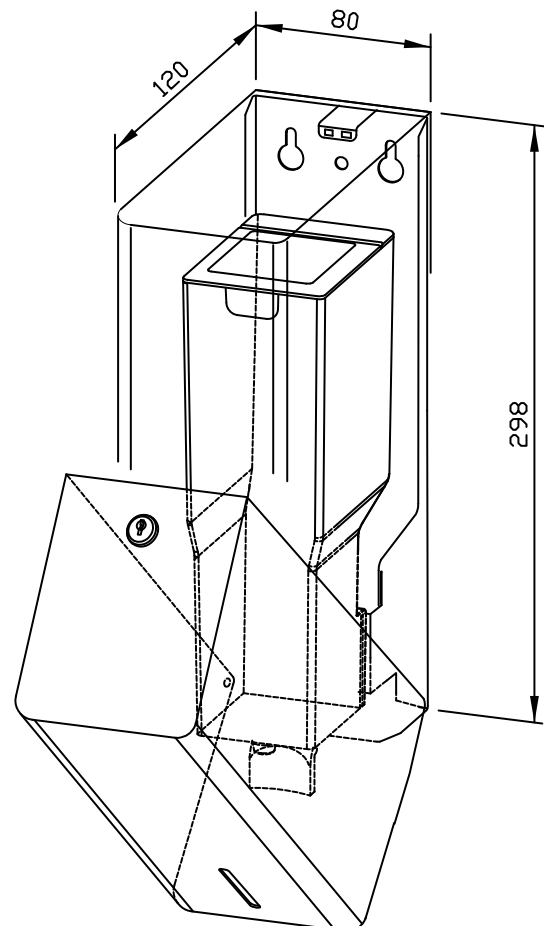


Suggested text for specifications:

Disinfectant dispenser in stainless steel (AISI 316L) for surface mounting. All-stainless steel housing with rounded vertical corners. Visible surfaces satin finished and brushed. One-hand operated disinfectant pump with 1100-ml tank. Designed for standard disinfectants for hands. Inspection slot to indicate fill level. Accessible for refilling through lockable, hinged housing. Keyed alike cylinder lock in corrosion-resistant zinc die-casting. Delivery includes fixing material.

Dimensions: 80 x 298 x 120 mm

Article No. PP102-7



Options	ID No.
Receptacle for WP/PP102/103	923 137

Available surfaces	ID No.
satin finished (standard)	727 334
highly polished	731 334
(coloured) plastic powder-coating	728 334

Ernst Wagner GmbH & Co. KG

Ernst-Abbe-Straße 21 · D-72770 Reutlingen · Tel.: +49712151539-0 · Fax: -20
info@wagner-ewar.de · www.wagner-ewar.de

WAGNER
EWAR

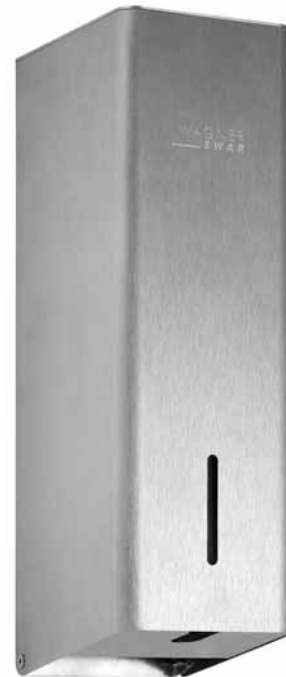
SENSOR LIQUID SOAP DISPENSER PP102E-1



86 x 298 x 120 mm

850 ml plug-in tank

- Sensor liquid soap dispenser in robust, germ-reducing and easy-care stainless steel (AISI 316L).
- All-stainless steel housing with rounded vertical corners, visible surfaces satin finished and brushed. Further available surfaces: see below.
- With EWAR® eModule touch-free operated and non-drip soap pump with 850 ml plug-in tank.
- Designed for standard liquid soaps or hand lotions.
- Inspection slot to indicate fill level.
- Accessible for refilling through lockable, hinged housing.
- Keyed alike cylinder lock in corrosion-resistant zinc die-casting.
- eModule battery-powered with two 1.5 V Baby/LR14 batteries. Power supply available as an option.
- Wear parts can be replaced as modules.
- Mounting: With four screws through key holes and one optional anti-theft hole in the back wall.
- Delivery includes fixing material and batteries.
- Weight, including single package: 1.8 kg



Suggested text for specifications:

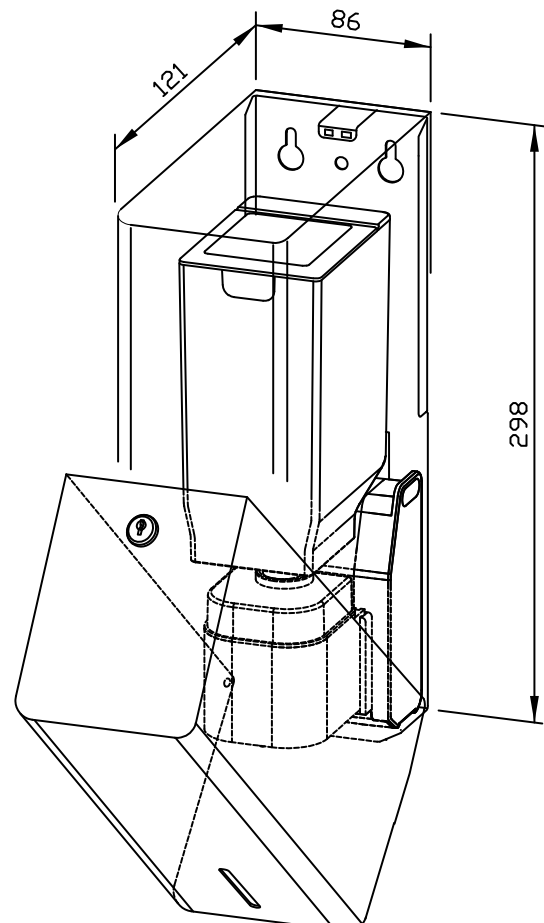
Sensor liquid soap dispenser in stainless steel (AISI 316L) for surface mounting. All-stainless steel housing with rounded vertical corners, visible surfaces satin finished and brushed. With touch-free operated and non-drip soap pump with 850 ml plug-in tank. Designed for standard liquid soaps or hand lotions. Inspection slot to indicate fill level. Accessible for refilling through lockable, hinged housing. Keyed alike cylinder lock in corrosion-resistant zinc die-casting. Delivery includes fixing material and batteries.

Dimensions: 86 x 298 x 120 mm

Article No. PP102e-1

Options	ID No.
Power supply for eModule	923 060
Receptacle for WP/PP102e	923 139

Available surfaces	ID No.
satin finished (standard)	727 818
highly polished	731 818
(coloured) plastic powder-coating	728 818



Ernst Wagner GmbH & Co. KG

Ernst-Abbe-Straße 21 · D-72770 Reutlingen · Tel.: +49712151539-0 · Fax: -20
info@wagner-ewar.de · www.wagner-ewar.de

WAGNER
EWAR

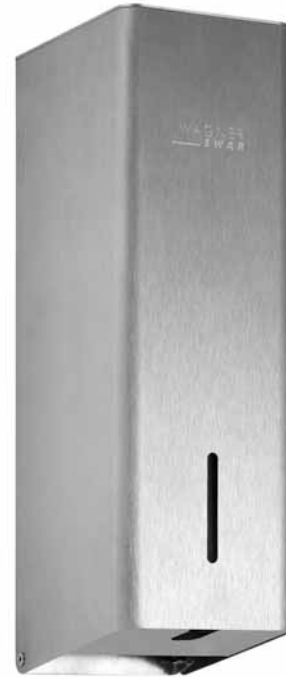
SENSOR DISINFECTANT DISPENSER PP102E-7



86 x 298 x 120 mm

950 ml tank

- Sensor disinfectant dispenser in robust, germ-reducing and easy-care stainless steel (AISI 316L).
- All-stainless steel housing with rounded vertical corners, visible surfaces satin finished and brushed. Further available surfaces: see below.
- With EWAR® eModule touch-free operated disinfectant pump with 950 ml tank.
- Designed for standard disinfectants for hands.
- Inspection slot to indicate fill level.
- Accessible for refilling through lockable, hinged housing.
- Keyed alike cylinder lock in corrosion-resistant zinc die-casting.
- eModule battery-powered with two 1.5 V Baby/LR14 batteries. Power supply available as an option.
- Wear parts can be replaced as modules.
- Mounting: With four screws through key holes and one optional anti-theft hole in the back wall.
- Delivery includes fixing material and batteries.
- Weight, including single package: 1.8 kg



Suggested text for specifications:

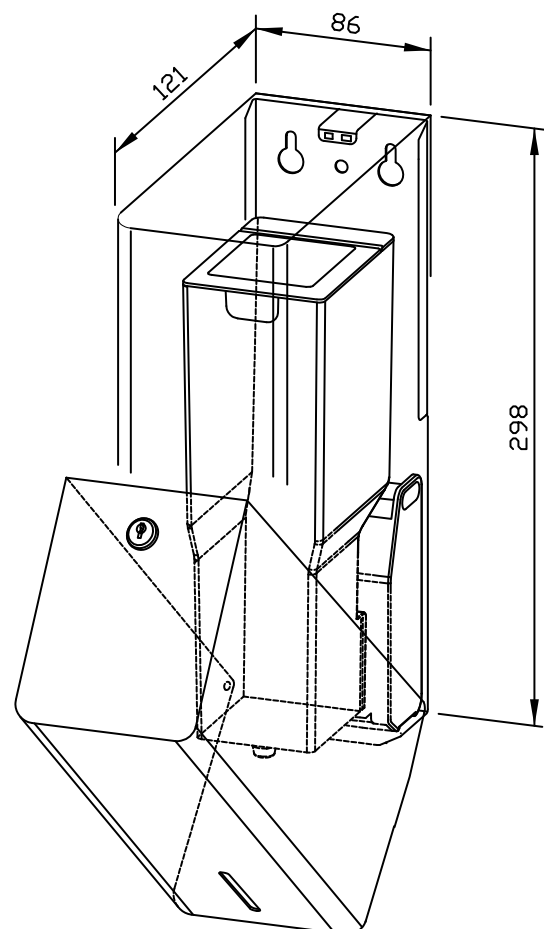
Sensor disinfectant dispenser in stainless steel (AISI 316L) for surface mounting. All-stainless steel housing with rounded vertical corners, visible surfaces satin finished and brushed. With touch-free operated disinfectant pump with 950 ml tank. Designed for standard disinfectants for hands. Inspection slot to indicate fill level. Accessible for refilling through lockable, hinged housing. Keyed alike cylinder lock in corrosion-resistant zinc die-casting. Delivery includes fixing material and batteries.

Dimensions: 86 x 298 x 120 mm

Article No. PP102e-7

Options	ID No.
Power supply for eModule	923 060
Receptacle for WP/PP102e	923 139

Available surfaces	ID No.
satin finished (standard)	727 820
highly polished	731 820
(coloured) plastic powder-coating	728 820



Ernst Wagner GmbH & Co. KG

Ernst-Abbe-Straße 21 · D-72770 Reutlingen · Tel.: +49712151539-0 · Fax: -20
info@wagner-ewar.de · www.wagner-ewar.de

WAGNER
EWAR

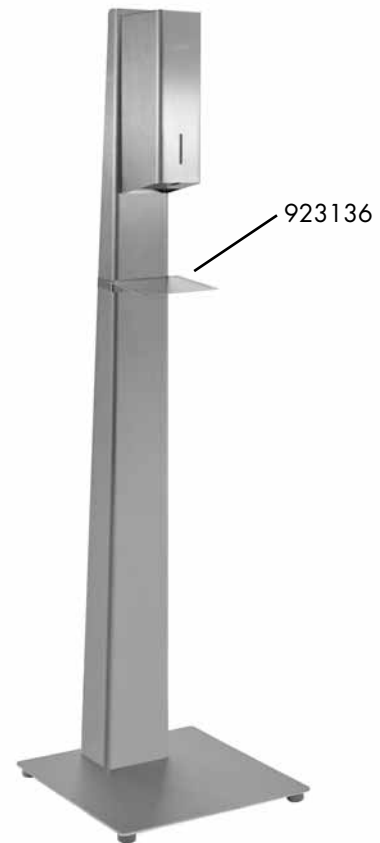
HYGIENE STATION STAND MODEL WITH SENSOR-DISINFECTANT DISPENSER PP102E-7S



380 x 1350 x 380 mm

950 ml tank

- Hygiene station consisting of a sensor-disinfectant dispenser and a floor-stand in robust, germ-reducing and easy-care stainless steel.
- Visible surfaces satin finished and brushed.
Further available surfaces: see below.
- Sensor-disinfectant dispenser in stainless steel (AISI316L) with rounded vertical corners.
 - With EWAR® eModule touch-free operated disinfectant pump with 950 ml tank.
 - Designed for standard disinfectants for hands.
 - Inspection slot to indicate fill level.
 - Accessible for refilling through lockable, hinged housing.
 - Keyed alike cylinder lock in corrosion-resistant zinc die-casting.
 - eModule battery-powered with two 1.5 V Baby/LR14 batteries.
 - Wear parts can be replaced as modules.
 - Delivery includes batteries.
- Floor-stand in stainless steel (AISI304)
 - Base plate with rubber feet.
 - Intended for free floor installation.
- Weight, including single package: 10.1 kg

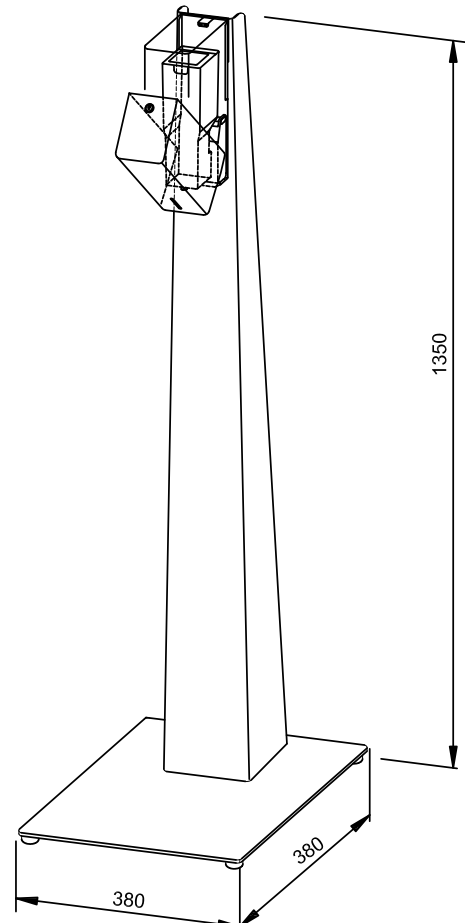


Suggested text for specifications:

Hygiene station consisting of a sensor-disinfectant dispenser and a floor-stand in stainless steel, visible surfaces satin finished and brushed. Sensor-disinfectant dispenser in stainless steel (AISI316L) with rounded vertical corners. With touch-free operated disinfectant pump with 950 ml tank. Designed for standard disinfectants for hands. Inspection slot to indicate fill level. Accessible for refilling through lockable, hinged housing. Keyed alike cylinder lock in corrosion-resistant zinc die-casting. Delivery includes batteries. Floor-stand in stainless steel (AISI304) with rubber feet. Intended for free floor installation.

Dimensions: 380 x 1350 x 380 mm

Article No. PP102e-7S



Options	ID No.
Receptacle for PP floor stand	923 136
Available surfaces	ID No.
satin finished (standard)	727 830
(coloured) plastic powder-coating	728 830

Ernst Wagner GmbH & Co. KG

Ernst-Abbe-Straße 21 · D-72770 Reutlingen · Tel.: +49712151539-0 · Fax: -20
info@wagner-ewar.de · www.wagner-ewar.de

WAGNER
EWAR

FOAM SOAP DISPENSER PP103



80 x 298 x 120 mm

400 ml foam soap concentrate

- Foam soap dispenser in robust, germ-reducing and easy-care stainless steel (AISI 316L).
- All-stainless steel housing with rounded vertical corners. Visible surfaces satin finished and brushed. Further available surfaces: see below.
- One-hand operated and non-drip foam soap pump.
- Designed for standard 400 ml foam soap concentrate.
- Inspection slot to indicate fill level.
- Accessible for refilling through lockable, hinged housing.
- Keyed alike cylinder lock in corrosion-resistant zinc die-casting.
- Wear parts can be replaced as modules.
- Mounting: With four screws through key holes and one optional anti-theft hole in the back wall.
- Delivery includes fixing material and first fill with foam soap concentrate.
- Weight, including single package: 1.8 kg

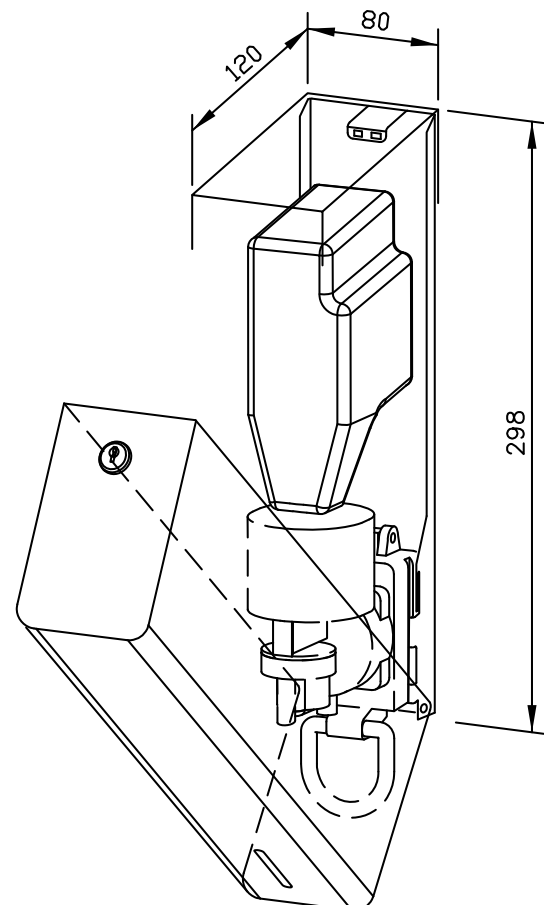


Suggested text for specifications:

Foam soap dispenser in stainless steel (AISI 316L) for surface mounting. All-stainless steel housing with rounded vertical corners. Visible surfaces satin finished and brushed. One-hand operated and non-drip foam soap pump. Designed for standard 400 ml foam soap concentrate. Inspection slot to indicate fill level. Accessible for refilling through lockable, hinged housing. Keyed alike cylinder lock in corrosion-resistant zinc die-casting. Delivery includes fixing material and first fill with foam soap concentrate.

Dimensions: 80 x 298 x 120 mm

Article No. PP103



Options	ID No.
Receptacle for WP/PP102/103	923 137

Available surfaces	ID No.
satin finished (standard)	727 338
highly polished	731 338
(coloured) plastic powder-coating	728 338

Ernst Wagner GmbH & Co. KG

Ernst-Abbe-Straße 21 · D-72770 Reutlingen · Tel.: +49712151539-0 · Fax: -20
info@wagner-ewar.de · www.wagner-ewar.de

WAGNER
EWAR

70 x 172 x 90 mm

200 ml soap tank

- Liquid soap dispenser in robust, germ-reducing and easy-care stainless steel (AISI 316L).
- All-stainless steel housing with rounded vertical corners. Visible surfaces satin finished and brushed. Further available surfaces: see below.
- One-hand operated and non-drip soap pump with 200 ml tank.
- Tank with large, lockable refill opening.
- Designed for standard liquid soaps or hand lotions.
- Inspection slot to indicate fill level.
- Accessible for refilling through lockable, hinged housing.
- Keyed alike cylinder lock in corrosion-resistant zinc die-casting.
- Wear parts can be replaced as modules.
- Mounting: With four screws through key holes and one optional anti-theft hole in the back wall.
- Delivery includes fixing material.
- Weight, including single package: 0.8 kg

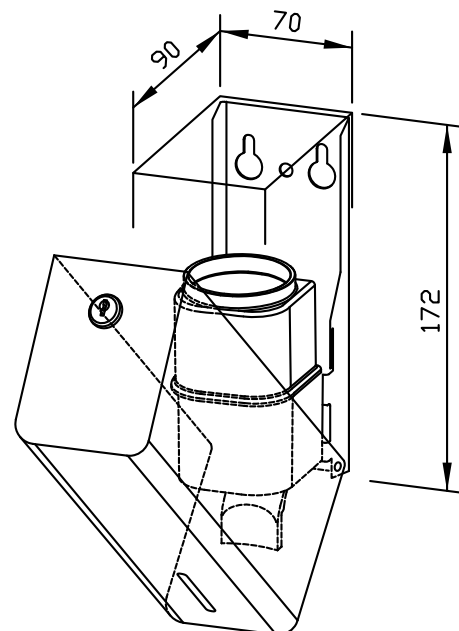


Suggested text for specifications:

Liquid soap dispenser in stainless steel (AISI 316L) for surface mounting. All-stainless steel housing with rounded vertical corners. Visible surfaces satin finished and brushed. One-hand operated and non-drip soap pump with 200 ml tank. Designed for standard liquid soaps or hand lotions. Inspection slot to indicate fill level. Accessible for refilling through lockable, hinged housing. Keyed alike cylinder lock in corrosion-resistant zinc die-casting. Delivery includes fixing material.

Dimensions: 70 x 172 x 90 mm

Article No. PP107



Available surfaces	ID No.
satin finished (standard)	727 336
highly polished	731 336
(coloured) plastic powder-coating	728 336

PAPER TOWEL DISPENSER PP108



265 x 172 x 120 mm

approx. 250 paper towels

- Paper towel dispenser in robust, germ-reducing and easy-care stainless steel (AISI 304).
- All-stainless steel housing with rounded vertical corners. Visible surfaces satin finished and brushed. Further available surfaces: see below.
- Designed for approx. 250 standard paper towels in zigzag fold. Paper size (folded): 240-250 mm x 100-115 mm.
- Inspection slot to indicate fill level.
- Accessible for refilling through lockable, hinged housing.
- Keyed alike cylinder lock in corrosion-resistant zinc die-casting.
- Wear parts can be replaced as modules.
- Mounting: With four screws through key holes and one optional anti-theft hole in the back wall.
- Delivery includes fixing material.
- Weight, including single package: 2.1 kg

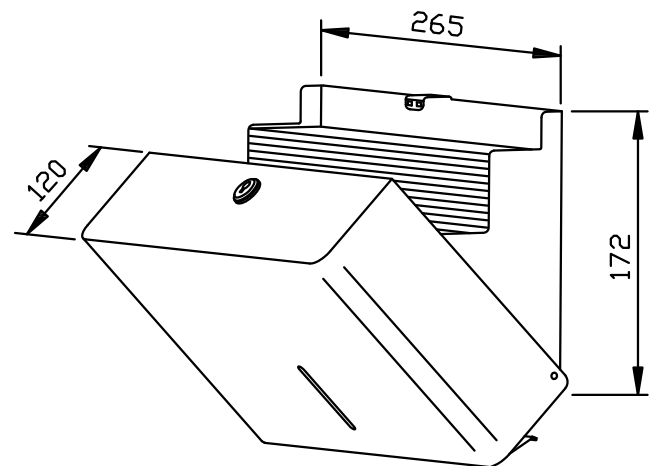


Suggested text for specifications:

Paper towel dispenser in stainless steel (AISI 304) for surface mounting. All-stainless steel housing with rounded vertical corners. Visible surfaces satin finished and brushed. Filling quantity approx. 250 paper towels. Inspection slot to indicate fill level. Accessible for refilling through lockable, hinged housing. Keyed alike cylinder lock in corrosion-resistant zinc die-casting. Delivery includes fixing material.

Dimensions: 265 x 172 x 120 mm

Article No. PP108



Available surfaces	ID No.
satin finished (standard)	727 530
highly polished	731 530
(coloured) plastic powder-coating	728 530

Ernst Wagner GmbH & Co. KG

Ernst-Abbe-Straße 21 · D-72770 Reutlingen · Tel.: +49712151539-0 · Fax: -20
info@wagner-ewar.de · www.wagner-ewar.de

WAGNER
EWAR

PAPER TOWEL DISPENSER PP111



265 x 448 x 120 mm

approx. 750 paper towels

- Paper towel dispenser in robust, germ-reducing and easy-care stainless steel (AISI 304).
- All-stainless steel housing with rounded vertical corners. Visible surfaces satin finished and brushed. Further available surfaces: see below.
- Designed for approx. 750 standard paper towels in zigzag fold. Paper size (folded): 240-250 mm x 100-115 mm.
- Inspection slot to indicate fill level.
- Accessible for refilling through lockable, hinged housing.
- Keyed alike cylinder lock in corrosion-resistant zinc die-casting.
- Wear parts can be replaced as modules.
- Mounting: With four screws through key holes and one optional anti-theft hole in the back wall.
- Delivery includes fixing material.
- Weight, including single package: 3.5 kg

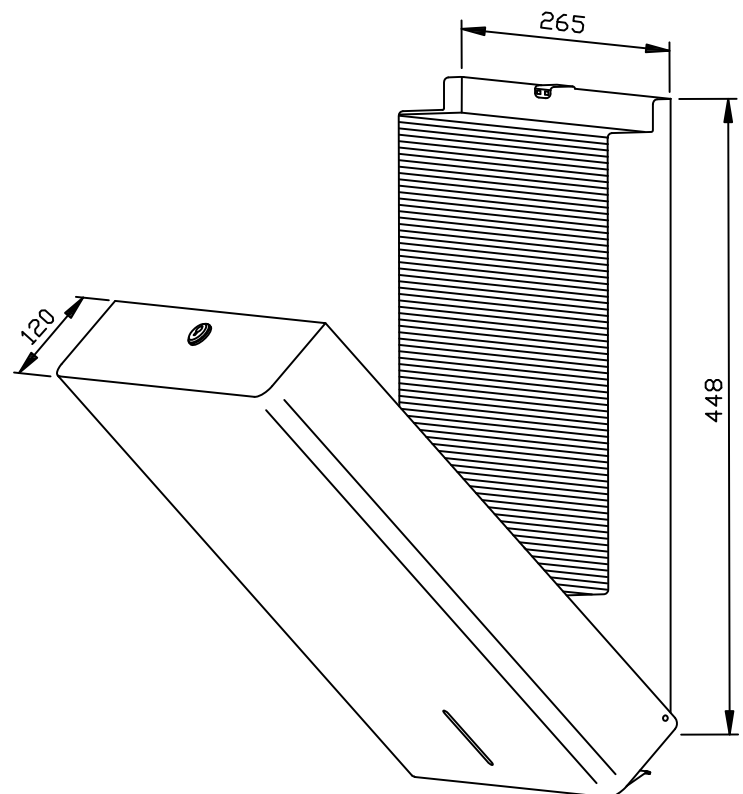


Suggested text for specifications:

Paper towel dispenser in stainless steel (AISI 304) for surface mounting. All-stainless steel housing with rounded vertical corners. Visible surfaces satin finished and brushed. Filling quantity approx. 750 paper towels. Inspection slot to indicate fill level. Accessible for refilling through lockable, hinged housing. Keyed alike cylinder lock in corrosion-resistant zinc die-casting. Delivery includes fixing material.

Dimensions: 265 x 448 x 120 mm

Article No. PP111



Available surfaces	ID No.
satin finished (standard)	727 585
highly polished	731 585
(coloured) plastic powder-coating	728 585

Ernst Wagner GmbH & Co. KG

Ernst-Abbe-Straße 21 · D-72770 Reutlingen · Tel.: +49712151539-0 · Fax: -20
info@wagner-ewar.de · www.wagner-ewar.de

WAGNER
EWAR

265 x 298 x 120 mm

approx. 500 paper towels

- Paper towel dispenser in robust, germ-reducing and easy-care stainless steel (AISI 304).
- All-stainless steel housing with rounded vertical corners. Visible surfaces satin finished and brushed. Further available surfaces: see below.
- Designed for approx. 500 standard paper towels in zigzag fold. Paper size (folded): 240-250 mm x 100-115 mm.
- Inspection slot to indicate fill level.
- Accessible for refilling through lockable, hinged housing.
- Keyed alike cylinder lock in corrosion-resistant zinc die-casting.
- Wear parts can be replaced as modules.
- Mounting: With four screws through key holes and one optional anti-theft hole in the back wall.
- Delivery includes fixing material.
- Weight, including single package: 2.8 kg

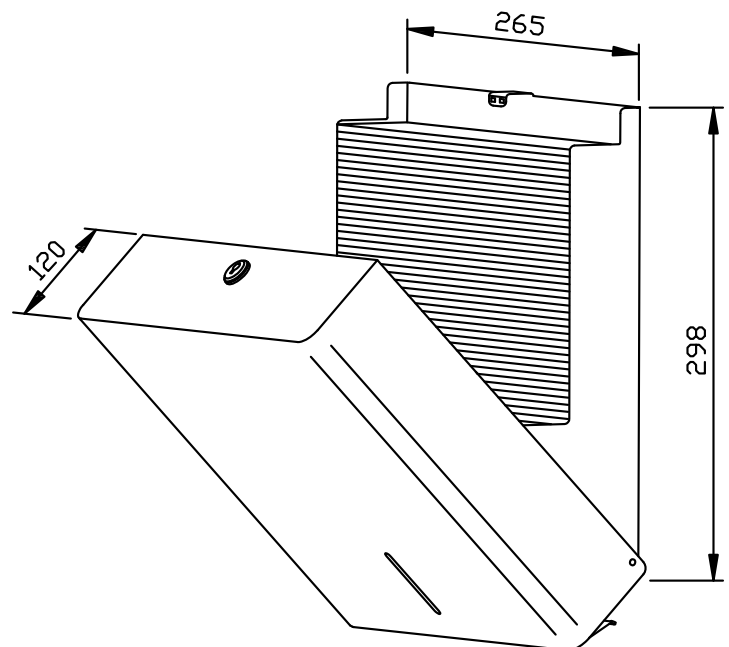


Suggested text for specifications:

Paper towel dispenser in stainless steel (AISI 304) for surface mounting. All-stainless steel housing with rounded vertical corners. Visible surfaces satin finished and brushed. Filling quantity approx. 500 paper towels. Inspection slot to indicate fill level. Accessible for refilling through lockable, hinged housing. Keyed alike cylinder lock in corrosion-resistant zinc die-casting. Delivery includes fixing material.

Dimensions: 265 x 298 x 120 mm

Article No. PP113



Available surfaces	ID No.
satin finished (standard)	727 540
highly polished	731 540
(coloured) plastic powder-coating	728 540

PAPER TOWEL DISPENSER PP115



230 x 298 x 90 mm

approx. 500 narrowly folded paper towels

- Paper towel dispenser in robust, germ-reducing and easy-care stainless steel (AISI 304).
- All-stainless steel housing with rounded vertical corners. Visible surfaces satin finished and brushed. Further available surfaces: see below.
- Designed for approx. 500 narrowly folded paper towels in zigzag fold. Paper size (folded): 210-220 mm x 80-90 mm.
- Inspection slot to indicate fill level.
- Accessible for refilling through lockable, hinged housing.
- Keyed alike cylinder lock in corrosion-resistant zinc die-casting.
- Wear parts can be replaced as modules.
- Mounting: With four screws through key holes and one optional anti-theft hole in the back wall.
- Delivery includes fixing material.
- Weight, including single package: 2.2 kg

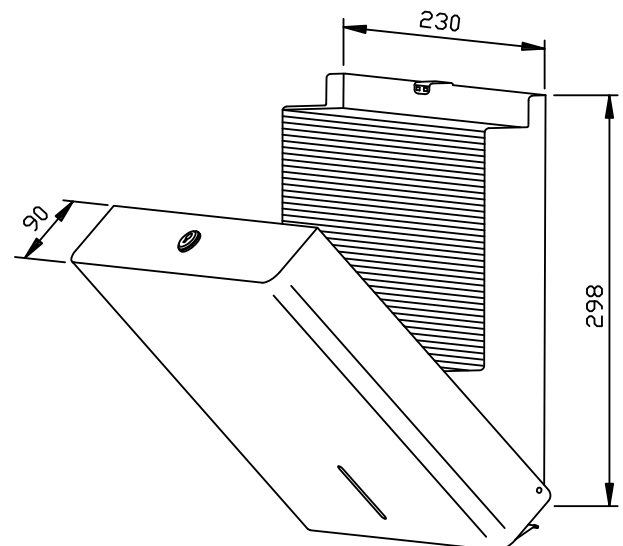


Suggested text for specifications:

Paper towel dispenser in stainless steel (AISI 304) for surface mounting. All-stainless steel housing with rounded vertical corners. Visible surfaces satin finished and brushed. Filling quantity approx. 500 narrowly folded paper towels. Inspection slot to indicate fill level. Accessible for refilling through lockable, hinged housing. Keyed alike cylinder lock in corrosion-resistant zinc die-casting. Delivery includes fixing material.

Dimensions: 230 x 298 x 90 mm

Article No. PP115



Available surfaces	ID No.
satin finished (standard)	727 549
highly polished	731 549
(coloured) plastic powder-coating	728 549

Ernst Wagner GmbH & Co. KG

Ernst-Abbe-Straße 21 · D-72770 Reutlingen · Tel.: +49712151539-0 · Fax: -20
info@wagner-ewar.de · www.wagner-ewar.de

WAGNER
EWAR

WASTE BIN PP126



298 x 448 x 170 mm

Capacity approx. 23 l

- Waste bin in robust, germ-reducing and easy-care stainless steel (AISI 304).
- All-stainless steel housing with rounded vertical corners. Visible surfaces satin finished and brushed. Further available surfaces: see below.
- Equipped with removable fabric stand bag in polypropylene, washable. Capacity approx. 23 l.
- Fabric stand bag replaces garbage bag.
- Mounting: With two screws through key holes and one optional anti-theft hole in the back wall.
- Delivery includes fixing material.
- Weight, including single package: 3.4 kg

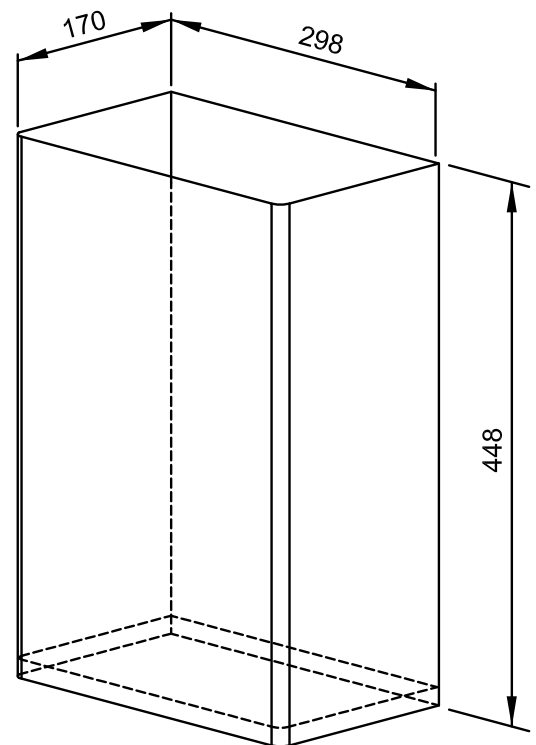


Suggested text for specifications:

Waste bin in stainless steel (AISI 304) for surface mounting. All-stainless steel housing with rounded vertical corners. Visible surfaces satin finished and brushed. Equipped with removable fabric stand bag in polypropylene, washable. Capacity approx. 23 l. Delivery includes fixing material.

Dimensions: 298 x 448 x 170 mm

Article No. PP126



Available surfaces	ID No.
satin finished (standard)	727 815
highly polished	731 815
(coloured) plastic powder-coating	728 815

Ernst Wagner GmbH & Co. KG

Ernst-Abbe-Straße 21 · D-72770 Reutlingen · Tel.: +49712151539-0 · Fax: -20
info@wagner-ewar.de · www.wagner-ewar.de

WAGNER
EWAR

WASTE BIN PP151



400 x 600 x 250 mm

Capacity approx. 60 l

- Waste basket in robust, germ-reducing and easy-care stainless steel (AISI 304).
- 2.5 mm and 4 mm thick lattice work. Fastening eyes in second row for invisible wall mounting.
- Front panel in stainless steel sheet metal with rounded vertical corners, satin finished and brushed. Further available surfaces: see below.
- Equipped with removable fabric stand bag in polypropylene, washable. Capacity approx. 60 l.
- Fabric stand bag replaces garbage bag.
- Mounting: With two screws.
- Delivery includes fixing material.
- Weight, including single package: 2.8 kg

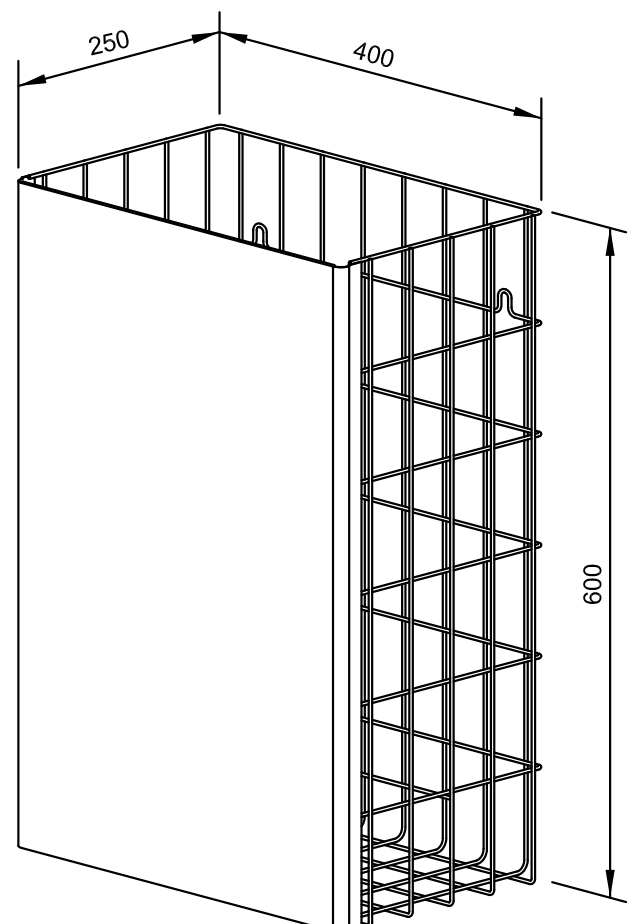


Suggested text for specifications:

Waste basket in stainless steel (AISI 304) for surface mounting or floor installation. 2.5 mm and 4 mm thick lattice work. Fastening eyes in second row for invisible wall mounting. Front panel in stainless steel sheet metal with rounded vertical corners, satin finished and brushed. Equipped with removable fabric stand bag in polypropylene, washable. Capacity approx. 60 l. Delivery includes fixing material.

Dimensions: 400 x 600 x 250 mm

Article No. PP151



Available surfaces

ID No.

satin finished (standard)

727 670

highly polished

731 670

(coloured) plastic powder-coating

728 670

Ernst Wagner GmbH & Co. KG

Ernst-Abbe-Straße 21 · D-72770 Reutlingen · Tel.: +49712151539-0 · Fax: -20
info@wagner-ewar.de · www.wagner-ewar.de

WAGNER
EWAR

298 x 598 x 190 mm

Capacity approx. 34 l

- Waste bin in robust, germ-reducing and easy-care stainless steel (AISI 304).
- All-stainless steel housing with rounded vertical corners. Visible surfaces satin finished and brushed. Further available surfaces: see below.
- Equipped with removable fabric stand bag in polypropylene, washable. Capacity approx. 34 l.
- Fabric stand bag replaces garbage bag.
- Mounting: With two screws through key holes and one optional anti-theft hole in the back wall.
- Delivery includes fixing material.
- Weight, including single package: 4.6 kg

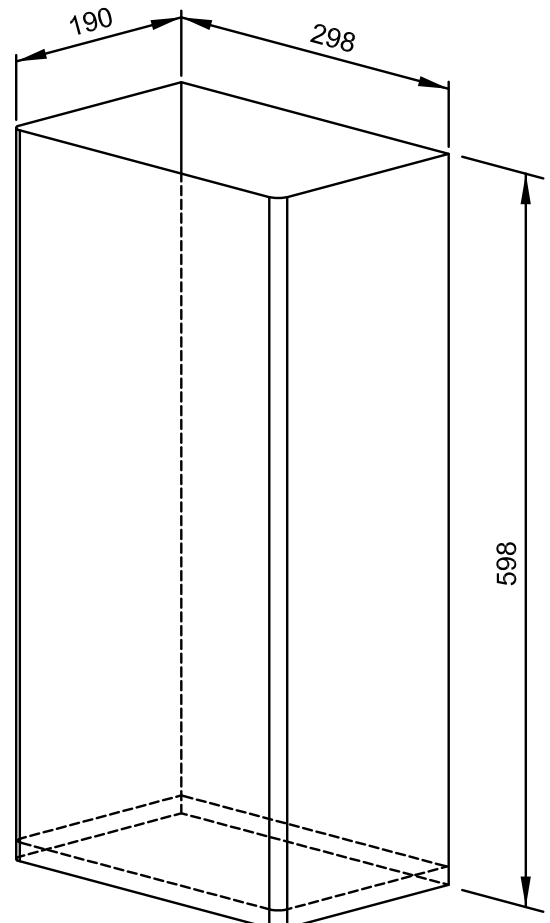


Suggested text for specifications:

Waste bin in stainless steel (AISI 304) for surface mounting. All-stainless steel housing with rounded vertical corners. Visible surfaces satin finished and brushed. Equipped with removable fabric stand bag in polypropylene, washable. Capacity approx. 34 l. Delivery includes fixing material.

Dimensions: 298 x 598 x 190 mm

Article No. PP152



Available surfaces	ID No.
satin finished (standard)	727 810
highly polished	731 810
(coloured) plastic powder-coating	728 810

298 x 598 x 250 mm

Capacity approx. 45 l

- Waste bin in robust, germ-reducing and easy-care stainless steel (AISI 304).
- All-stainless steel housing with rounded vertical corners. Visible surfaces satin finished and brushed. Further available surfaces: see below.
- Equipped with removable fabric stand bag in polypropylene, washable. Capacity approx. 45 l.
- Fabric stand bag replaces garbage bag.
- With four rubber feet suitable for floor installation.
- Mounting: With two screws through key holes and one optional anti-theft hole in the back wall.
- Delivery includes fixing material.
- Weight, including single package: 4.8 kg

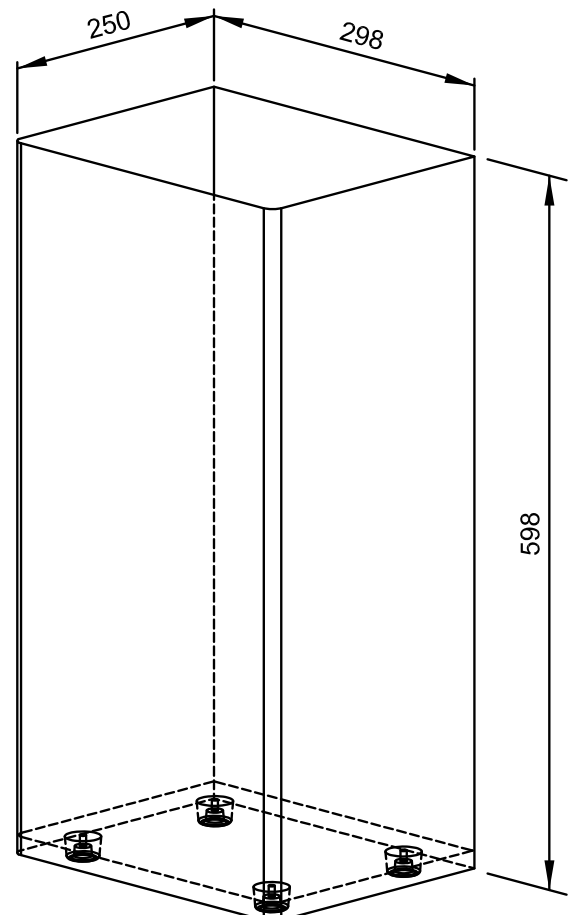


Suggested text for specifications:

Waste bin in stainless steel (AISI 304) for surface mounting or floor installation. All-stainless steel housing with rounded vertical corners. Visible surfaces satin finished and brushed. Equipped with removable fabric stand bag in polypropylene, washable. Capacity approx. 45 l. Delivery includes fixing material.

Dimensions: 298 x 598 x 250 mm

Article No. PP182



Available surfaces	ID No.
satin finished (standard)	727 805
highly polished	731 805
(coloured) plastic powder-coating	728 805

BASIN TAP WA100



Ø 52 x 171 x 155 mm

Normal pressure

- Single-lever basin tap without waste fitting in robust, germ-reducing and easy-care stainless steel (AISI 303).
- Version: normal pressure. Operating pressure 2–6 bar.
- Solid stainless steel body; visible surfaces satin finished. Further available surfaces: see below.
- High quality ceramic mixer cartridge with adjustable temperature limit setting (scald protection).
- Neoperl® air bubble spray M22 x 1 mm.
- Design height: 171 mm
Outlet height: 87 mm
Projection: 98 mm
Length of lever: 40 mm
- Wear parts can be replaced as modules.
- Installation dimensions: Ø 33-40 mm
Surface thickness max. 40 mm
- Mounting: With one counternut.
- Delivery includes fixing material and two flexible connecting hoses clad in stainless steel.
- Weight, including single package: 1.8 kg



Suggested text for specifications:

Single-lever basin tap in stainless steel (AISI 303) for counter mounting. Version: normal pressure. Solid stainless steel body; visible surfaces satin finished. Ceramic mixer cartridge with adjustable temperature limit setting. Delivery includes fixing material and two flexible connecting hoses clad in stainless steel.

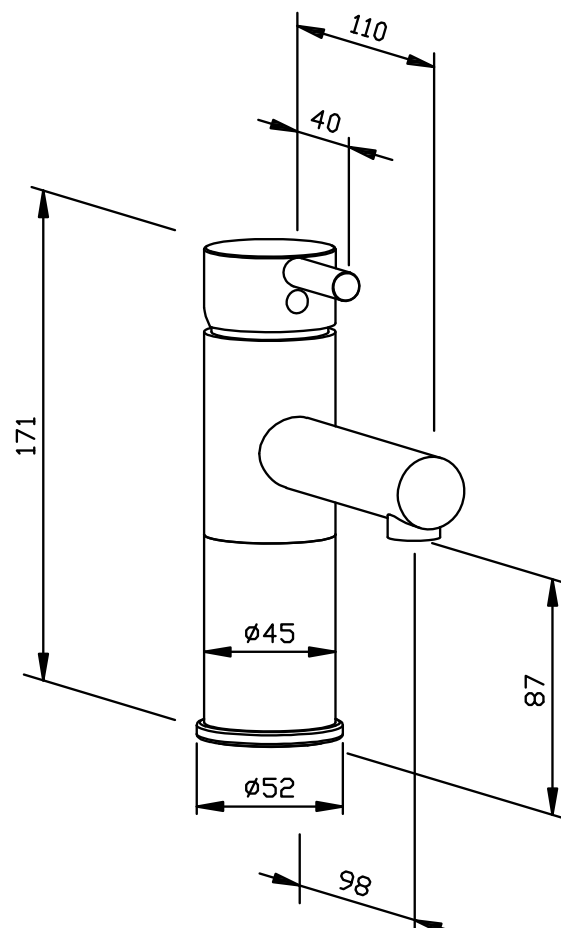
Dimensions: Ø 52 x 171 x 155 mm

Outlet height 87 mm

Projection 98 mm

Length of lever 40 mm

Article No. WA100



Available surfaces

ID No.

satin finished (standard)

924 266

highly polished

931 266

Ernst Wagner GmbH & Co. KG

Ernst-Abbe-Straße 21 · D-72770 Reutlingen · Tel.: +49712151539-0 · Fax: -20
info@wagner-ewar.de · www.wagner-ewar.de

WAGNER
EWAR

BASIN TAP WA100-1



Ø 52 x 171 x 185 mm

Normal pressure

- Single-lever basin tap without waste fitting in robust, germ-reducing and easy-care stainless steel (AISI 303).
- Version: normal pressure. Operating pressure 2–6 bar.
- Solid stainless steel body; visible surfaces satin finished. Further available surfaces: see below.
- High quality ceramic mixer cartridge with adjustable temperature limit setting (scald protection).
- Neoperl® air bubble spray M22 x 1 mm.
- Design height: 171 mm
Outlet height: 87 mm
Projection: 98 mm
Length of lever: 140 mm
- Wear parts can be replaced as modules.
- Installation dimensions: Ø 33-40 mm
Surface thickness max. 40 mm
- Mounting: With one counternut.
- Delivery includes fixing material and two flexible connecting hoses clad in stainless steel.
- Weight, including single package: 1.9 kg



Suggested text for specifications:

Single-lever basin tap in stainless steel (AISI 303) for counter mounting. Version: normal pressure. Solid stainless steel body; visible surfaces satin finished. Ceramic mixer cartridge with adjustable temperature limit setting. Delivery includes fixing material and two flexible connecting hoses clad in stainless steel.

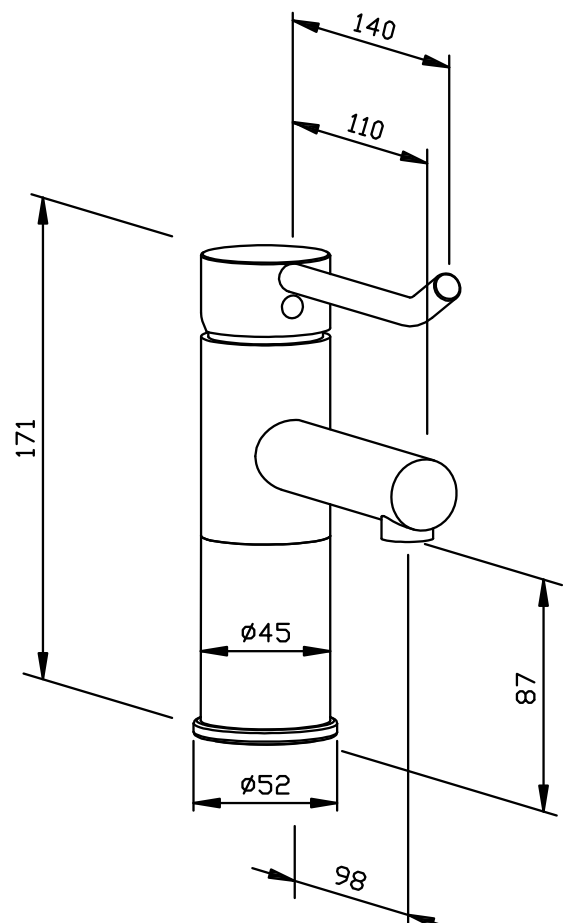
Dimensions: Ø 52 x 171 x 185 mm

Outlet height 87 mm

Projection 98 mm

Length of lever 140 mm

Article No. WA100-1



Available surfaces	ID No.
satin finished (standard)	924 276
highly polished	931 276

Ernst Wagner GmbH & Co. KG

Ernst-Abbe-Straße 21 · D-72770 Reutlingen · Tel.: +49712151539-0 · Fax: -20
info@wagner-ewar.de · www.wagner-ewar.de

WAGNER
EWAR

BASIN TAP WA110



Ø 52 x 283 x 155 mm

Normal pressure

- Single-lever basin tap without waste fitting in robust, germ-reducing and easy-care stainless steel (AISI 303).
- Version: normal pressure. Operating pressure 2–6 bar.
- Solid stainless steel body; visible surfaces satin finished. Further available surfaces: see below.
- High quality ceramic mixer cartridge with adjustable temperature limit setting (scald protection).
- Neoperl® air bubble spray M22 x 1 mm.
- Design height: 283 mm
Outlet height: 199 mm
Projection: 98 mm
Length of lever: 40 mm
- Wear parts can be replaced as modules.
- Installation dimensions: Ø 33-40 mm
Surface thickness max. 40 mm
- Mounting: With one counternut.
- Delivery includes fixing material and two flexible connecting hoses clad in stainless steel.
- Weight, including single package: 2.0 kg



Suggested text for specifications:

Single-lever basin tap in stainless steel (AISI 303) for counter mounting. Version: normal pressure. Solid stainless steel body; visible surfaces satin finished. Ceramic mixer cartridge with adjustable temperature limit setting. Delivery includes fixing material and two flexible connecting hoses clad in stainless steel.

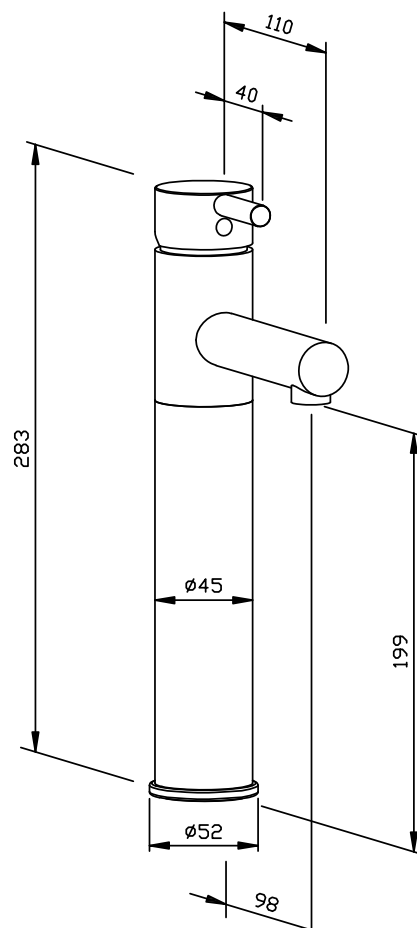
Dimensions: Ø 52 x 283 x 155 mm

Outlet height 199 mm

Projection 98 mm

Length of lever 40 mm

Article No. WA110



Available surfaces

ID No.

satin finished (standard)

925 266

highly polished

932 266

Ernst Wagner GmbH & Co. KG

Ernst-Abbe-Straße 21 · D-72770 Reutlingen · Tel.: +49712151539-0 · Fax: -20
info@wagner-ewar.de · www.wagner-ewar.de

WAGNER
EWAR

BASIN TAP WA110-1



Ø 52 x 283 x 185 mm

Normal pressure

- Single-lever basin tap without waste fitting in robust, germ-reducing and easy-care stainless steel (AISI 303).
- Version: normal pressure. Operating pressure 2–6 bar.
- Solid stainless steel body; visible surfaces satin finished. Further available surfaces: see below.
- High quality ceramic mixer cartridge with adjustable temperature limit setting (scald protection).
- Neoperl® air bubble spray M22 x 1 mm.
- Design height: 283 mm
Outlet height: 199 mm
Projection: 98 mm
Length of lever: 140 mm
- Wear parts can be replaced as modules.
- Installation dimensions: Ø 33-40 mm
Surface thickness max. 40 mm
- Mounting: With one counternut.
- Delivery includes fixing material and two flexible connecting hoses clad in stainless steel.
- Weight, including single package: 2.2 kg



Suggested text for specifications:

Single-lever basin tap in stainless steel (AISI 303) for counter mounting. Version: normal pressure. Solid stainless steel body; visible surfaces satin finished. Ceramic mixer cartridge with adjustable temperature limit setting. Delivery includes fixing material and two flexible connecting hoses clad in stainless steel.

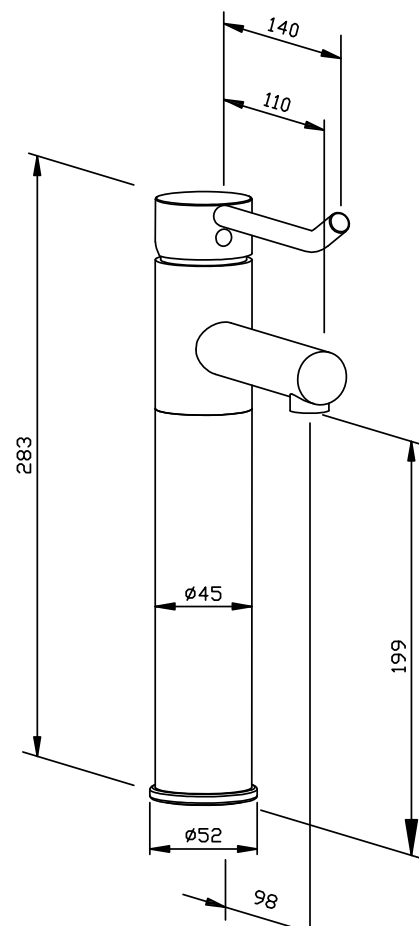
Dimensions: Ø 52 x 283 x 185 mm

Outlet height 199 mm

Projection 98 mm

Length of lever 140 mm

Article No. WA110-1



Available surfaces

ID No.

satin finished (standard)

925 276

highly polished

932 276

Ernst Wagner GmbH & Co. KG

Ernst-Abbe-Straße 21 · D-72770 Reutlingen · Tel.: +49712151539-0 · Fax: -20
info@wagner-ewar.de · www.wagner-ewar.de

WAGNER
EWAR

BASIN TAP WA200



Ø 52 x 171 x 155 mm

Low pressure

- Single-lever basin tap without waste fitting in robust, germ-reducing and easy-care stainless steel (AISI 303).
- Version: low pressure, suitable for unpressurised tanks. Operating pressure 2–6 bar.
- Solid stainless steel body; visible surfaces satin finished. Further available surfaces: see below.
- High quality ceramic mixer cartridge with adjustable temperature limit setting (scald protection).
- Neoperl® air bubble spray M22 x 1 mm.
- Design height: 171 mm
Outlet height: 87 mm
Projection: 98 mm
Length of lever: 40 mm
- Wear parts can be replaced as modules.
- Installation dimensions: Ø 33-40 mm
Surface thickness max. 40 mm
- Mounting: With one counternut.
- Delivery includes fixing material and three flexible connecting hoses clad in stainless steel.
- Weight, including single package: 1.9 kg



Suggested text for specifications:

Single-lever basin tap in stainless steel (AISI 303) for counter mounting. Version: low pressure. Solid stainless steel body; visible surfaces satin finished. Ceramic mixer cartridge with adjustable temperature limit setting. Delivery includes fixing material and three flexible connecting hoses clad in stainless steel.

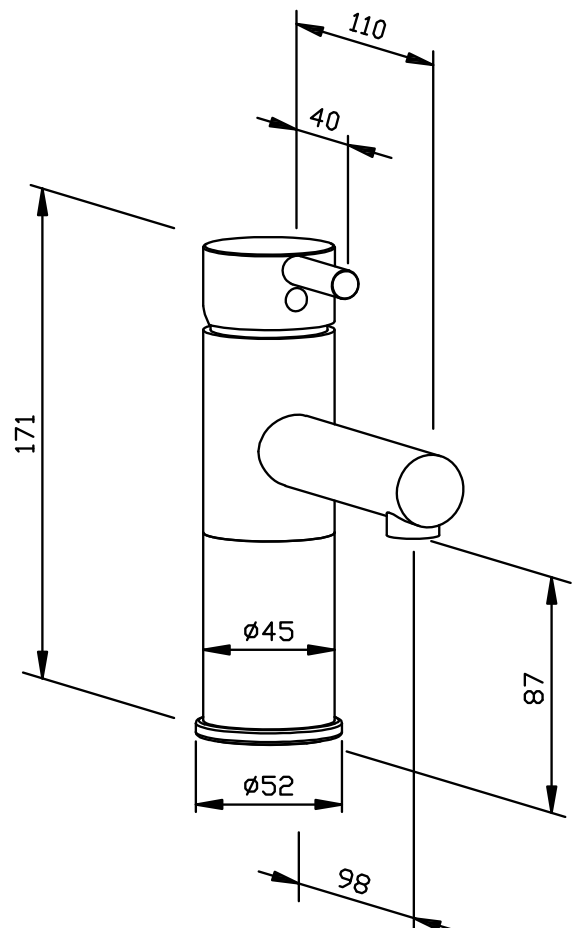
Dimensions: Ø 52 x 171 x 155 mm

Outlet height 87 mm

Projection 98 mm

Length of lever 40 mm

Article No. WA200



Available surfaces

ID No.

satin finished (standard)

924 267

highly polished

931 267

Ernst Wagner GmbH & Co. KG

Ernst-Abbe-Straße 21 · D-72770 Reutlingen · Tel.: +49712151539-0 · Fax: -20
info@wagner-ewar.de · www.wagner-ewar.de

WAGNER
EWAR

BASIN TAP WA200-1



Ø 52 x 171 x 185 mm

Low pressure

- Single-lever basin tap without waste fitting in robust, germ-reducing and easy-care stainless steel (AISI 303).
- Version: low pressure, suitable for unpressurised tanks. Operating pressure 2–6 bar.
- Solid stainless steel body; visible surfaces satin finished. Further available surfaces: see below.
- High quality ceramic mixer cartridge with adjustable temperature limit setting (scald protection).
- Neoperl® air bubble spray M22 x 1 mm.
- Design height: 171 mm
Outlet height: 87 mm
Projection: 98 mm
Length of lever: 140 mm
- Wear parts can be replaced as modules.
- Installation dimensions: Ø 33-40 mm
Surface thickness max. 40 mm
- Mounting: With one counternut.
- Delivery includes fixing material and three flexible connecting hoses clad in stainless steel.
- Weight, including single package: 2.0 kg



Suggested text for specifications:

Single-lever basin tap in stainless steel (AISI 303) for counter mounting. Version: low pressure. Solid stainless steel body; visible surfaces satin finished. Ceramic mixer cartridge with adjustable temperature limit setting. Delivery includes fixing material and three flexible connecting hoses clad in stainless steel.

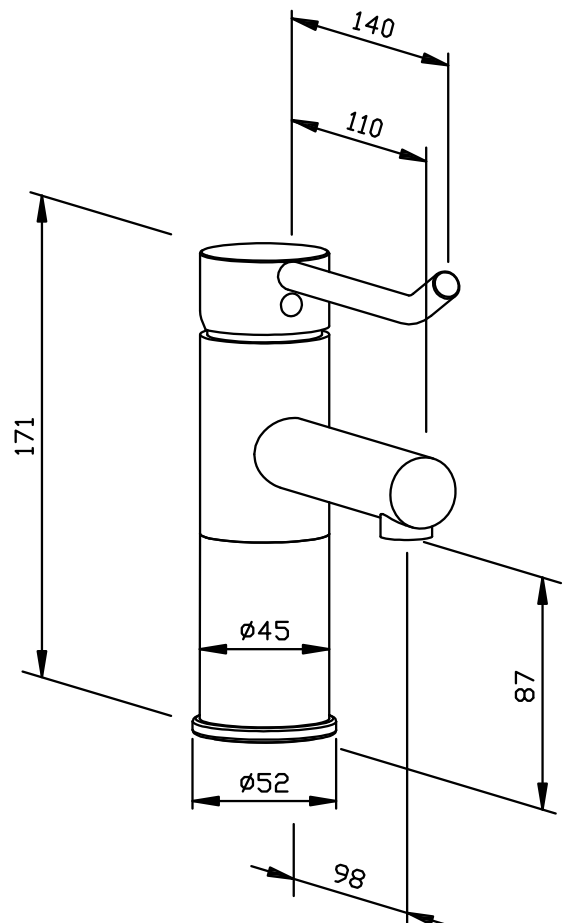
Dimensions: Ø 52 x 171 x 185 mm

Outlet height 87 mm

Projection 98 mm

Length of lever 140 mm

Article No. WA200-1



Available surfaces

ID No.

satin finished (standard)

924 277

highly polished

931 277

Ernst Wagner GmbH & Co. KG

Ernst-Abbe-Straße 21 · D-72770 Reutlingen · Tel.: +49712151539-0 · Fax: -20
info@wagner-ewar.de · www.wagner-ewar.de

WAGNER
EWAR

BASIN TAP WA210



Ø 52 x 283 x 155 mm

Low pressure

- Single-lever basin tap without waste fitting in robust, germ-reducing and easy-care stainless steel (AISI 303).
- Version: low pressure, suitable for unpressurised tanks. Operating pressure 2–6 bar.
- Solid stainless steel body; visible surfaces satin finished. Further available surfaces: see below.
- High quality ceramic mixer cartridge with adjustable temperature limit setting (scald protection).
- Neoperl® air bubble spray M22 x 1 mm.
- Design height: 283 mm
Outlet height: 199 mm
Projection: 98 mm
Length of lever: 40 mm
- Wear parts can be replaced as modules.
- Installation dimensions: Ø 33-40 mm, surface thickness max. 40 mm
- Mounting: With one counternut.
- Delivery includes fixing material and three flexible connecting hoses clad in stainless steel.
- Weight, including single package: 2.2 kg



Suggested text for specifications:

Single-lever basin tap in stainless steel (AISI 303) for counter mounting. Version: low pressure. Solid stainless steel body; visible surfaces satin finished. Ceramic mixer cartridge with adjustable temperature limit setting. Delivery includes fixing material and three flexible connecting hoses clad in stainless steel.

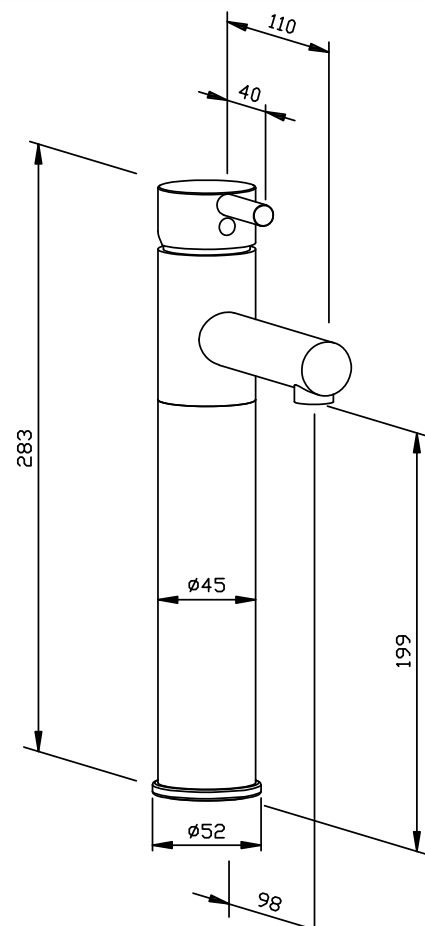
Dimensions: Ø 52 x 283 x 155 mm

Outlet height 199 mm

Projection 98 mm

Length of lever 40 mm

Article No. WA210



Available surfaces

ID No.

satin finished (standard)

925 267

highly polished

932 267

Ernst Wagner GmbH & Co. KG

Ernst-Abbe-Straße 21 · D-72770 Reutlingen · Tel.: +49712151539-0 · Fax: -20
info@wagner-ewar.de · www.wagner-ewar.de

WAGNER
EWAR

BASIN TAP WA210-1



Ø 52 x 283 x 185 mm

Low pressure

- Single-lever basin tap without waste fitting in robust, germ-reducing and easy-care stainless steel (AISI 303).
- Version: low pressure, suitable for unpressurised tanks. Operating pressure 2–6 bar.
- Solid stainless steel body; visible surfaces satin finished. Further available surfaces: see below.
- High quality ceramic mixer cartridge with adjustable temperature limit setting (scald protection).
- Neoperl® air bubble spray M22 x 1 mm.
- Design height: 283 mm
Outlet height: 199 mm
Projection: 98 mm
Length of lever: 140 mm
- Wear parts can be replaced as modules.
- Installation dimensions: Ø 33-40 mm, surface thickness max. 40 mm
- Mounting: With one counternut.
- Delivery includes fixing material and three flexible, stainless steel covered connecting tubes.
- Weight, including single package: 2.3 kg



Suggested text for specifications:

Single-lever basin tap in stainless steel (AISI 303) for counter mounting. Version: low pressure. Solid stainless steel body; visible surfaces satin finished. Ceramic mixer cartridge with adjustable temperature limit setting. Delivery includes fixing material and three flexible connecting hoses clad in stainless steel.

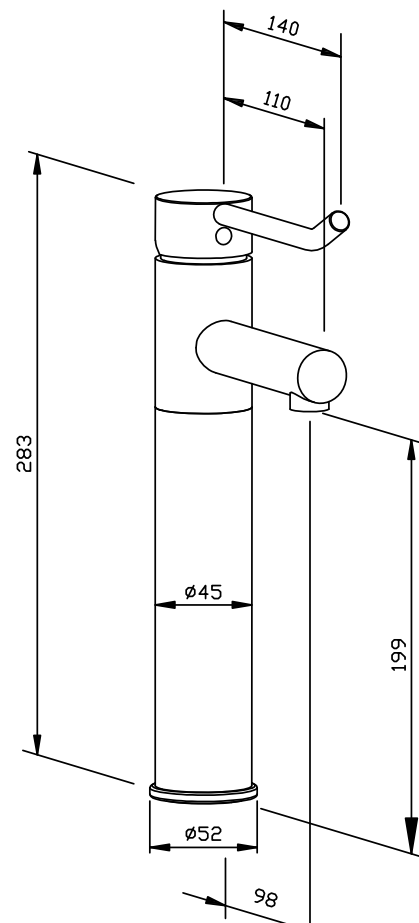
Dimensions: Ø 52 x 283 x 185 mm

Outlet height 199 mm

Projection 98 mm

Length of lever 140 mm

Article No. WA210-1



Available surfaces

ID No.

satin finished (standard)

925 277

highly polished

932 277

Ernst Wagner GmbH & Co. KG

Ernst-Abbe-Straße 21 · D-72770 Reutlingen · Tel.: +49712151539-0 · Fax: -20
info@wagner-ewar.de · www.wagner-ewar.de

WAGNER
EWAR

BASIN TAP WA500



50 x 172 x 161 mm

Normal pressure

- Single-lever basin tap without waste fitting in robust, germ-reducing and easy-care stainless steel (AISI 303).
- Version: normal pressure. Operating pressure 2–6 bar.
- Solid rectangular stainless steel body; visible surfaces satin finished. Further available surfaces: see below.
- High quality ceramic mixer cartridge with adjustable temperature limit setting (scald protection).
- Neoperl® air bubble spray M24 x 1 mm.
- Design height: 172 mm
Outlet height: 92 mm
Projection: 97 mm
Length of lever: 65 mm
- Wear parts can be replaced as modules.
- Installation dimensions: Ø 33-40 mm
Surface thickness max. 40 mm
- Mounting: With one counternut.
- Delivery includes fixing material and two flexible connecting hoses clad in stainless steel.
- Weight, including single package: 2.2 kg



Suggested text for specifications:

Single-lever basin tap in stainless steel (AISI 303) for counter mounting. Version: normal pressure. Solid rectangular stainless steel body; visible surfaces satin finished. Ceramic mixer cartridge with adjustable temperature limit setting. Delivery includes fixing material and two flexible connecting hoses clad in stainless steel.

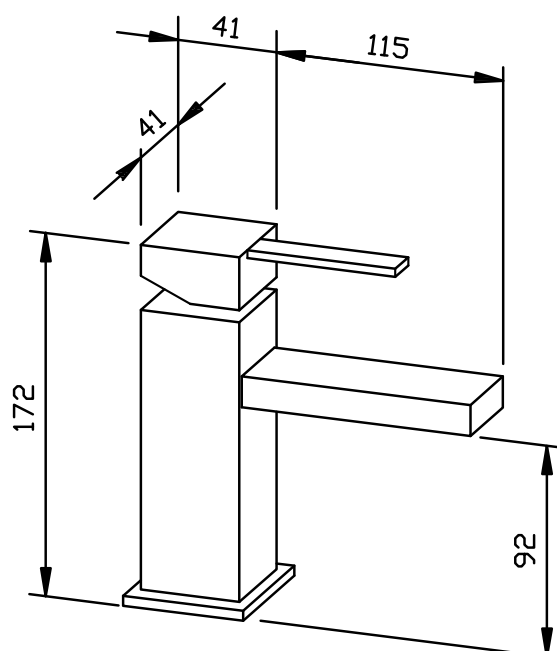
Dimensions: 50 x 172 x 161 mm

Outlet height 92 mm

Projection 97 mm

Length of lever 65 mm

Article No. WA500



Available surfaces

ID No.

satin finished (standard)

924 265

highly polished

931 265

Ernst Wagner GmbH & Co. KG

Ernst-Abbe-Straße 21 · D-72770 Reutlingen · Tel.: +49712151539-0 · Fax: -20
info@wagner-ewar.de · www.wagner-ewar.de

WAGNER
EWAR

BASIN TAP WA510



50 x 281 x 161 mm

Normal pressure

- Single-lever basin tap without waste fitting in robust, germ-reducing and easy-care stainless steel (AISI 303).
- Version: normal pressure. Operating pressure 2–6 bar.
- Solid rectangular stainless steel body; visible surfaces satin finished. Further available surfaces: see below.
- High quality ceramic mixer cartridge with adjustable temperature limit setting (scald protection).
- Neoperl® air bubble spray M24 x 1 mm.
- Design height: 281 mm
Outlet height: 201 mm
Projection: 97 mm
Length of lever: 65 mm
- Wear parts can be replaced as modules.
- Installation dimensions: Ø 33-40 mm
Surface thickness max. 40 mm
- Mounting: With one counternut.
- Delivery includes fixing material and two flexible connecting hoses clad in stainless steel.
- Weight, including single package: 3.1 kg



Suggested text for specifications:

Single-lever basin tap in stainless steel (AISI 303) for counter mounting. Version: normal pressure. Solid rectangular stainless steel body; visible surfaces satin finished. Ceramic mixer cartridge with adjustable temperature limit setting. Delivery includes fixing material and two flexible connecting hoses clad in stainless steel.

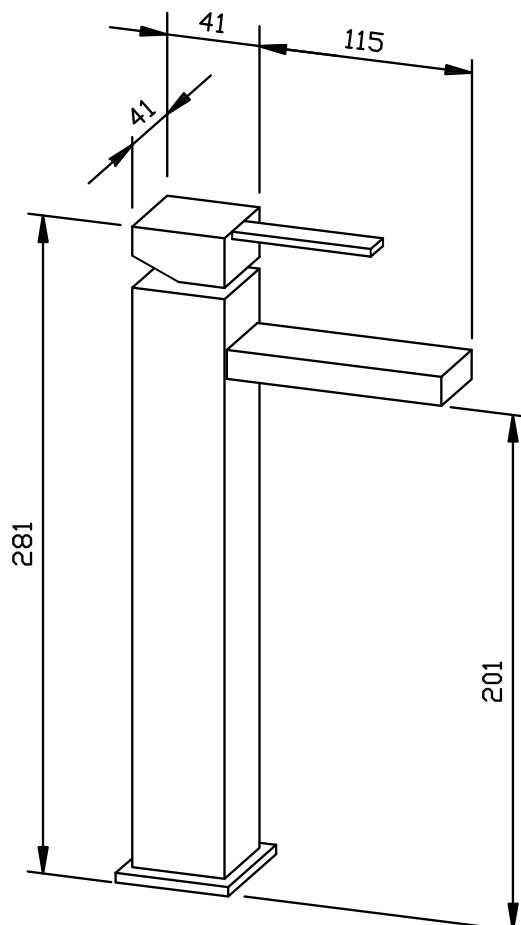
Dimensions: 50 x 281 x 161 mm

Outlet height 201 mm

Projection 97 mm

Length of lever 65 mm

Article No. WA510



Available surfaces

ID No.

satin finished (standard)

925 265

highly polished

932 265

Ernst Wagner GmbH & Co. KG

Ernst-Abbe-Straße 21 · D-72770 Reutlingen · Tel.: +49712151539-0 · Fax: -20
info@wagner-ewar.de · www.wagner-ewar.de

WAGNER
— EWAR

LIQUID SOAP DISPENSER WH2



70 x 172 x 90 mm

200 ml soap tank

- Liquid soap dispenser in robust, germ-reducing and easy-care stainless steel (AISI 316L).
- All-stainless steel housing; visible surfaces satin finished and brushed.
- One-hand operated and non-drip soap pump with 200 ml tank.
- Tank with large, lockable refill opening.
- Designed for standard liquid soaps or hand lotions. Not suitable for disinfectants!
- Inspection slot to indicate fill level.
- Accessible for refilling through hinged housing.
- With spring-clip locking.
- Wear parts can be replaced as modules.
- Mounting: For glueing or with four screws through key holes and one optional anti-theft hole in the back wall.
- Delivery includes fixing material and first fill with soap.
- Weight, including single package: 1.3 kg

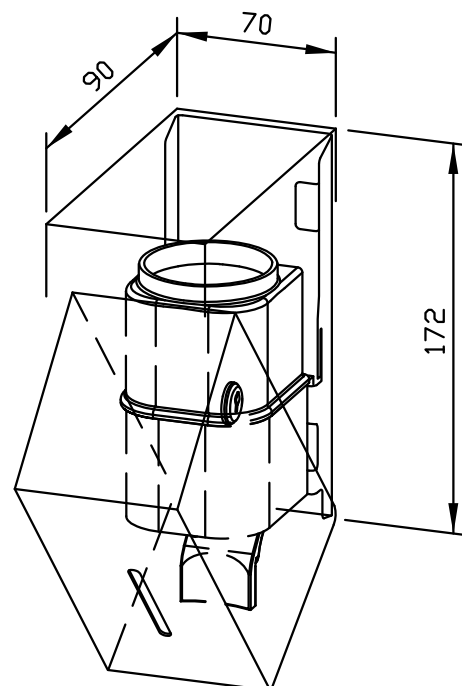


Suggested text for specifications:

Liquid soap dispenser in stainless steel (AISI 316L) for surface mounting. All-stainless steel housing; visible surfaces satin finished and brushed. One-hand operated and non-drip soap pump with 200 ml tank. Designed for standard liquid soaps or hand lotions. Inspection slot to indicate fill level. Accessible for refilling through hinged housing. With spring-clip locking. Delivery includes fixing material and first fill with soap.

Dimensions: 70 x 172 x 90 mm

Article No. WH2



Available surfaces

ID No.

satin finished (standard)

727 345

Ernst Wagner GmbH & Co. KG

Ernst-Abbe-Straße 21 · D-72770 Reutlingen · Tel.: +49712151539-0 · Fax: -20
info@wagner-ewar.de · www.wagner-ewar.de

WAGNER
EWAR

PAPER TOWEL DISPENSER WH5



260 x 225 x 120 mm

approx. 300 paper towels

- Paper towel dispenser in robust, germ-reducing and easy-care stainless steel (AISI 304).
- All-stainless steel housing open at the top; visible surfaces satin finished and brushed.
- Designed for approx. 300 standard paper towels in zigzag fold.
Paper size (folded): 240-250 mm x 100-115 mm.
- Inspection slot to indicate fill level.
- Refillable from the top.
- Mounting: For glueing or with three screws through key holes and one optional anti-theft hole in the back wall.
- Delivery includes fixing material and first fill.
- Weight, including single package: 3.3 kg

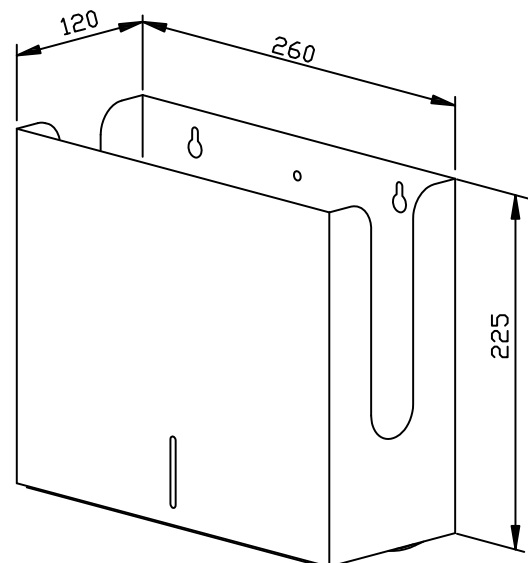


Suggested text for specifications:

Paper towel dispenser in stainless steel (AISI 304) for surface mounting. All-stainless steel housing open at the top; visible surfaces satin finished and brushed. Filling quantity approx. 300 paper towels. Inspection slot to indicate fill level. Refillable from the top. Delivery includes fixing material and first fill with paper.

Dimensions: 260 x 225 x 120 mm

Article No. WH5



Available surfaces

ID No.

satin finished (standard)

727 346

Ernst Wagner GmbH & Co. KG

Ernst-Abbe-Straße 21 · D-72770 Reutlingen · Tel.: +49712151539-0 · Fax: -20
info@wagner-ewar.de · www.wagner-ewar.de

WAGNER
EWAR

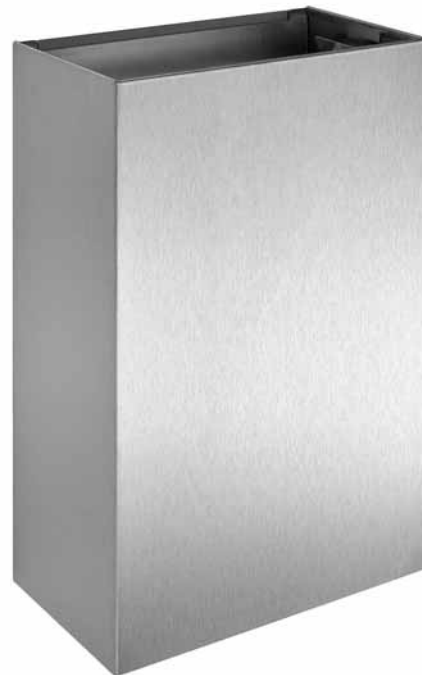
WASTE BIN WH15



260 x 400 x 150 mm

Capacity approx. 15 l

- Waste bin in robust, germ-reducing and easy-care stainless steel (AISI 304).
- All-stainless steel housing; visible surfaces satin finished and brushed.
- Equipped with internal holder for standard garbage bags. Capacity approx. 15 l.
- Mounting: For glueing or with two screws through key holes and one optional anti-theft hole in the back wall.
- Delivery includes fixing material.
- Weight, including single package: 2.8 kg

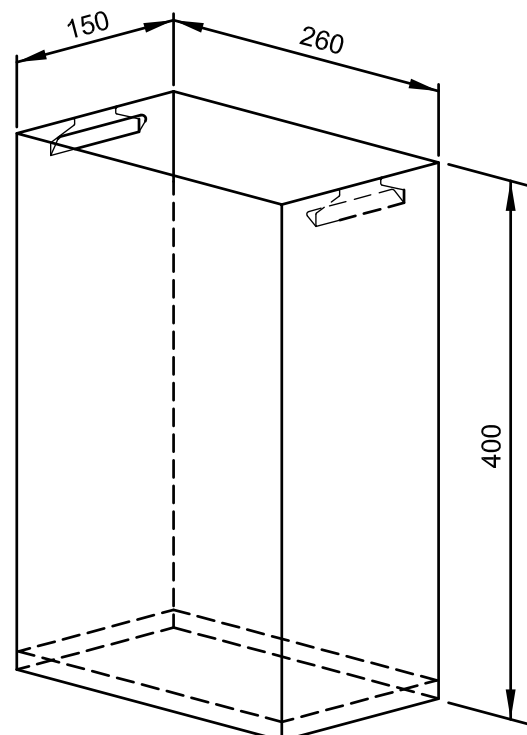


Suggested text for specifications:

Waste bin in stainless steel (AISI 304) for surface mounting. All-stainless steel housing; visible surfaces satin finished and brushed. Equipped with internal holder for standard garbage bags. Capacity approx. 15 l. Delivery includes fixing material.

Dimensions: 260 x 400 x 150 mm

Article No. WH15



Available surfaces	ID No.
satin finished (standard)	727 347

Ernst Wagner GmbH & Co. KG

Ernst-Abbe-Straße 21 · D-72770 Reutlingen · Tel.: +49712151539-0 · Fax: -20
info@wagner-ewar.de · www.wagner-ewar.de

WAGNER
— EWAR

Liquid soap dispenser - Paper towel dispenser - Waste bin

- Professional washroom equipment for your office or at home.
- Optimal hygiene for you and your visitors.
- Compact, timeless design.
- Made from robust, germ-reducing and easy-care stainless steel. Visible surfaces satin finished und brushed.
- Designed for standard liquid soaps and paper towels. Delivery includes first fills.
- Easy assembly: for gluing or screwing. Delivery includes fixing material.
- ID No. **WH-Kit: 727 344** - also available as individual devices; order numbers see below.
- Quality products Made in Germany



Liquid soap dispenser WH2

Dimensions: 70 x 172 x 90 mm

- One-hand operated and non-drip soap pump with 200 ml tank.
- Tank with large, lockable refill opening.
- Designed for standard liquid soaps or hand lotions. Not suitable for disinfectants!
- Inspection slot to indicate fill level.
- Accessible for refilling through hinged housing with spring-clip locking.
- ID No. 727 345



Paper towel dispenser WH5

Dimensions: 260 x 225 x 120 mm

- Designed for approx. 300 standard paper towels in zigzag fold. Paper size (folded): 240-250 mm x 100-115 mm.
- Inspection slot to indicate fill level.
- Refillable from the top.
- ID No. 727 346



Waste bin WH15

Dimensions: 260 x 400 x 150 mm

- Capacity approx. 15 l.
- Equipped with internal holder for standard garbage bags.
- ID No. 727 347

PLASTIC HYGIENE BIN WP18



264 x 476 x 285 mm

Capacity approx. 36 l

- Plastic hygiene bin in 3 mm thick, white polystyrene.
- Capacity approx. 36 l.
- Weight, including single package: 2.0 kg

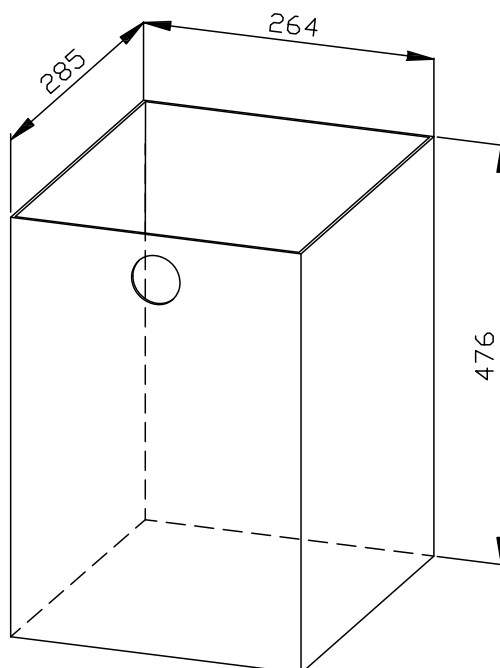


Suggested text for specifications:

Plastic hygiene bin in 3 mm thick, white polystyrene;
capacity approx. 36 l.

Dimensions: 264 x 476 x 285 mm

Article No. WP18



Available surface	ID No.
Plastic, white	922 500

Ernst Wagner GmbH & Co. KG

Ernst-Abbe-Straße 21 · D-72770 Reutlingen · Tel.: +49712151539-0 · Fax: -20
info@wagner-ewar.de · www.wagner-ewar.de

WAGNER
— EWAR

PLASTIC HYGIENE BIN WP33



264 x 384 x 123 mm

Capacity approx. 12 l

- Plastic hygiene bin in 3 mm thick, white polystyrene.
- Capacity approx. 12 l.
- Weight, including single package: 1.0 kg

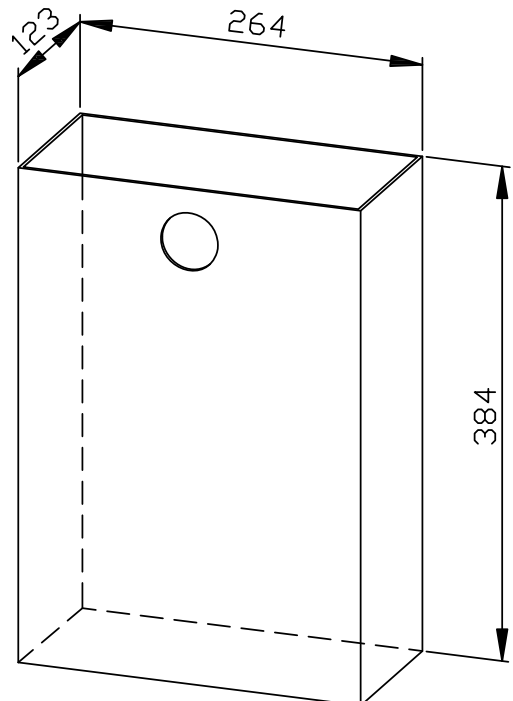


Suggested text for specifications:

Plastic hygiene bin in 3 mm thick, white polystyrene;
capacity approx. 12 l.

Dimensions: 264 x 384 x 123 mm

Article No. WP33



Available surface	ID No.
Plastic, white	923 530

Ernst Wagner GmbH & Co. KG

Ernst-Abbe-Straße 21 · D-72770 Reutlingen · Tel.: +49712151539-0 · Fax: -20
info@wagner-ewar.de · www.wagner-ewar.de

WAGNER
— EWAR

PLASTIC HYGIENE BIN WP34



264 x 384 x 103 mm

Capacity approx. 10 l

- Plastic hygiene bin in 3 mm thick, white polystyrene.
- Capacity approx. 10 l.
- Weight, including single package: 1.0 kg

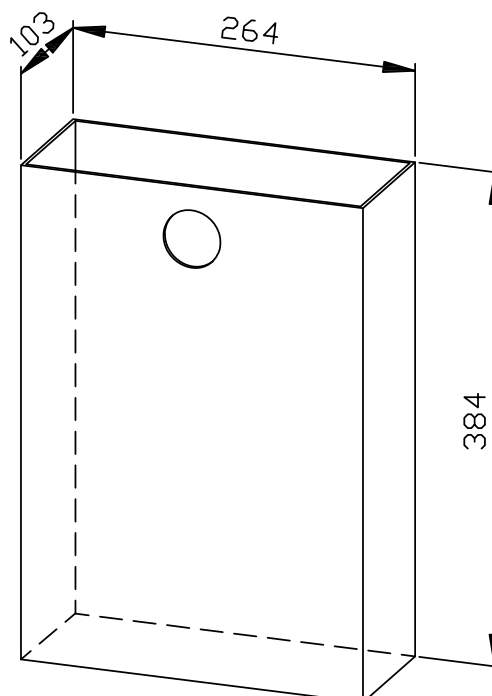


Suggested text for specifications:

Plastic hygiene bin in 3 mm thick, white polystyrene; capacity approx. 10 l.

Dimensions: 264 x 384 x 103 mm

Article No. WP34



Available surface	ID No.
plastics, white	923 543

Ernst Wagner GmbH & Co. KG

Ernst-Abbe-Straße 21 · D-72770 Reutlingen · Tel.: +49712151539-0 · Fax: -20
info@wagner-ewar.de · www.wagner-ewar.de

WAGNER
— EWAR

LIQUID SOAP DISPENSER WP101



70 x 270 x 110 mm

500 ml soap bottle

- Liquid soap dispenser in robust, germ-reducing and easy-care stainless steel (AISI 316L).
- All-stainless steel housing; all corners fully welded, visible surfaces satin finished and brushed. Further available surfaces: see below.
- One-hand operated and non-drip soap pump.
- Designed for standard 500 ml bottles of liquid soap or hand lotion.
- Inspection slot to indicate fill level.
- Accessible for refilling through lockable, hinged housing.
- Keyed alike cylinder lock in corrosion-resistant zinc die-casting.
- Wear parts can be replaced as modules.
- Mounting: With two screws through key holes and one optional anti-theft hole in the back wall.
- Delivery includes fixing material and first fill with soap.
- Weight, including single package: 1.9 kg

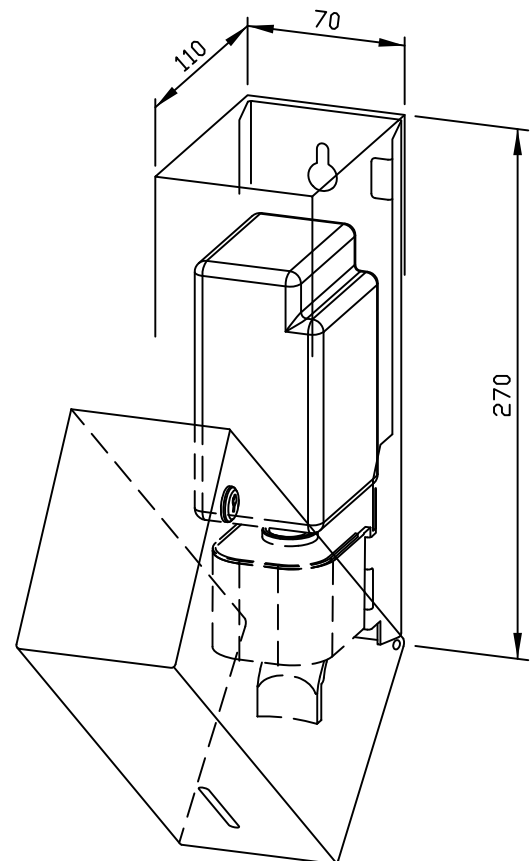


Suggested text for specifications:

Liquid soap dispenser in stainless steel (AISI 316L) for surface mounting. All-stainless steel housing; all corners fully welded, visible surfaces satin finished and brushed. One-hand operated and non-drip soap pump. Designed for standard 500 ml bottles of liquid soap or hand lotion. Inspection slot to indicate fill level. Accessible for refilling through lockable, hinged housing. Keyed alike cylinder lock in corrosion-resistant zinc die-casting. Delivery includes fixing material and first fill with soap.

Dimensions: 70 x 270 x 110 mm

Article No. WP101



Options	ID No.
Receptacle for WP/PP101	923 138

Available surfaces	ID No.
satin finished (standard)	727 301
highly polished	731 970
(coloured) plastic powder-coating	728 075

Ernst Wagner GmbH & Co. KG

Ernst-Abbe-Straße 21 · D-72770 Reutlingen · Tel.: +49712151539-0 · Fax: -20
info@wagner-ewar.de · www.wagner-ewar.de

WAGNER
EWAR

LIQUID SOAP DISPENSER WP101-1



70 x 270 x 120 mm

700 ml soap tank

- Liquid soap dispenser in robust, germ-reducing and easy-care stainless steel (AISI 316L).
- All-stainless steel housing; all corners fully welded, visible surfaces satin finished and brushed. Further available surfaces: see below.
- One-hand operated and non-drip soap pump with 700 ml tank.
- Tank with large, lockable refill opening.
- Designed for standard liquid soaps or hand lotions.
- Inspection slot to indicate fill level.
- Accessible for refilling through lockable, hinged housing.
- Keyed alike cylinder lock in corrosion-resistant zinc die-casting.
- Wear parts can be replaced as modules.
- Mounting: With two screws through key holes and one optional anti-theft hole in the back wall.
- Delivery includes fixing material.
- Weight, including single package: 1.4 kg

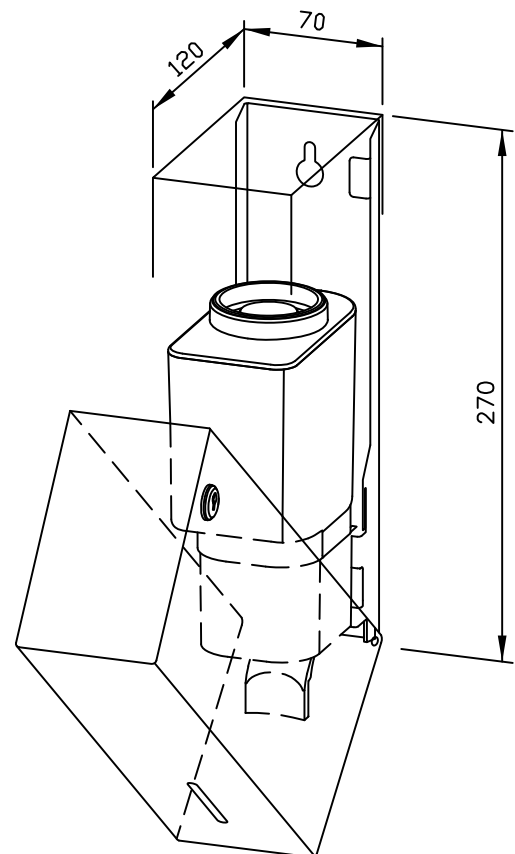


Suggested text for specifications:

Liquid soap dispenser in stainless steel (AISI 316L) for surface mounting. All-stainless steel housing; all corners fully welded, visible surfaces satin finished and brushed. One-hand operated and non-drip soap pump with 700 ml tank. Designed for standard liquid soaps or hand lotions. Inspection slot to indicate fill level. Accessible for refilling through lockable, hinged housing. Keyed alike cylinder lock in corrosion-resistant zinc die-casting. Delivery includes fixing material.

Dimensions: 70 x 270 x 120 mm

Article No. WP101-1



Options	ID No.
Receptacle for WP/PP101	923 138

Available surfaces	ID No.
satin finished (standard)	727 303
highly polished	731 303
(coloured) plastic powder-coating	728 303

Ernst Wagner GmbH & Co. KG

Ernst-Abbe-Straße 21 · D-72770 Reutlingen · Tel.: +49712151539-0 · Fax: -20
info@wagner-ewar.de · www.wagner-ewar.de

WAGNER
EWAR

70 x 270 x 120 mm

700 ml tank

- Disinfectant dispenser in robust, germ-reducing and easy-care stainless steel (AISI 316L).
- All-stainless steel housing; all corners fully welded, visible surfaces satin finished and brushed. Further available surfaces: see below.
- One-hand operated disinfectant pump with 700 ml tank.
- Designed for standard disinfectants for hands.
- Inspection slot to indicate fill level.
- Accessible for refilling through lockable, hinged housing.
- Keyed alike cylinder lock in corrosion-resistant zinc die-casting.
- Wear parts can be replaced as modules.
- Mounting: With two screws through key holes and one optional anti-theft hole in the back wall.
- Delivery includes fixing material.
- Weight, including single package: 1.4 kg

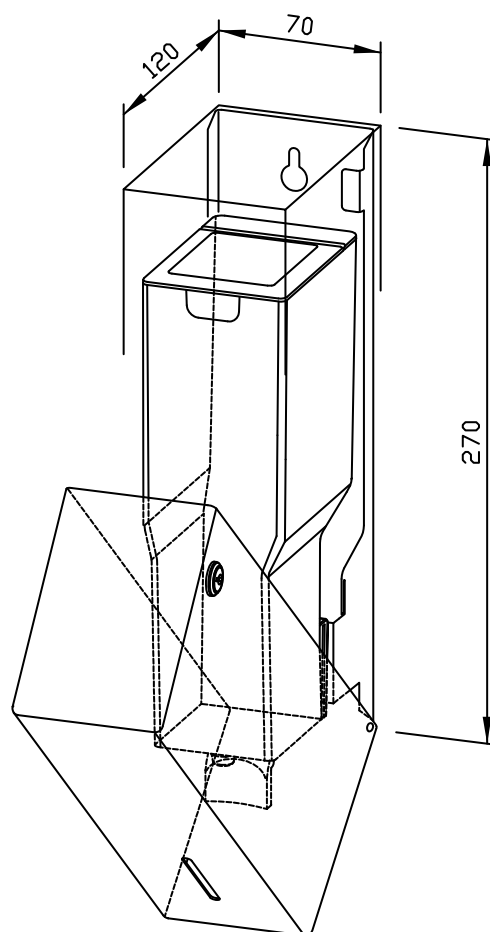


Suggested text for specifications:

Disinfectant dispenser in stainless steel (AISI 316L) for surface mounting. All-stainless steel housing; all corners fully welded, visible surfaces satin finished and brushed. One-hand operated disinfectant pump with 700 ml tank. Designed for standard disinfectants for hands. Inspection slot to indicate fill level. Accessible for refilling through lockable, hinged housing. Keyed alike cylinder lock in corrosion-resistant zinc die-casting. Delivery includes fixing material.

Dimensions: 70 x 270 x 120 mm

Article No. WP101-7



Options	ID No.
Receptacle for WP/PP101	923 138
Available surfaces	ID No.
satin finished (standard)	727 313
highly polished	731 313
(coloured) plastic powder-coating	728 313

SENSOR LIQUID SOAP DISPENSER WP101E



86 x 260 x 121 mm

500 ml soap bottle

- Sensor liquid soap dispenser in robust, germ-reducing and easy-care stainless steel (AISI 316L).
- All-stainless steel housing; all corners fully welded, visible surfaces satin finished and brushed. Further available surfaces: see below.
- With EWAR® eModule touch-free operated and non-drip soap pump.
- Designed for standard 500 ml bottles of liquid soap or hand lotion.
- Inspection slot to indicate fill level.
- Accessible for refilling through lockable, hinged housing.
- Keyed alike cylinder lock in corrosion-resistant zinc die-casting.
- eModule battery-powered with two 1.5 V Baby/LR14 batteries. Power supply available as an option.
- Wear parts can be replaced as modules.
- Mounting: With three screws through key holes and one optional anti-theft hole in the back wall.
- Delivery includes fixing material, batteries and first fill with soap.
- Weight, including single package: 2.2 kg



Suggested text for specifications:

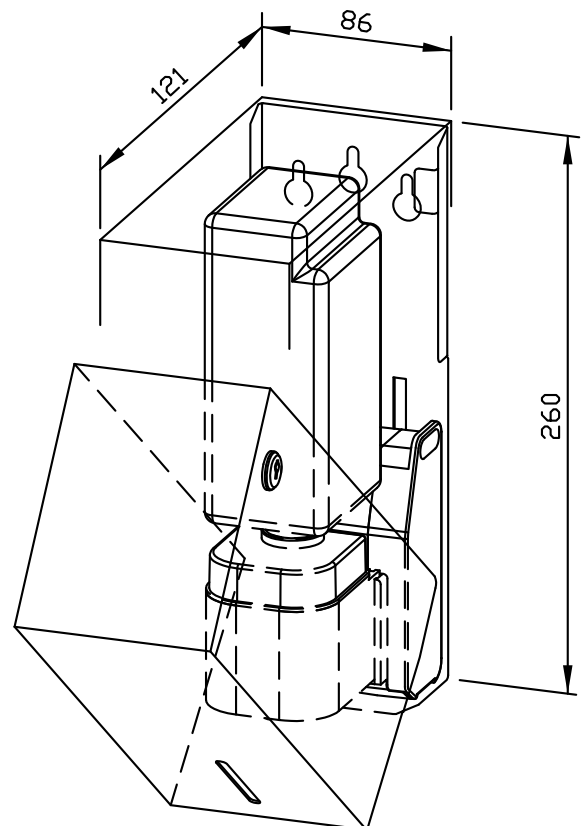
Sensor liquid soap dispenser in stainless steel (AISI 316L) for surface mounting. All-stainless steel housing; all corners fully welded, visible surfaces satin finished and brushed. With touch-free operated and non-drip soap pump. Designed for standard 500 ml bottles of liquid soap or hand lotion. Inspection slot to indicate fill level. Accessible for refilling through lockable, hinged housing. Keyed alike cylinder lock in corrosion-resistant zinc die-casting. Delivery includes fixing material, batteries and first fill with soap.

Dimensions: 86 x 260 x 121 mm

Article No. WP101e

Options	ID No.
Power supply for eModule	923 060
Receptacle for WP101e + WP/PP101e-7	923 140

Available surfaces	ID No.
satin finished (standard)	727 333
highly polished	731 333
(coloured) plastic powder-coating	728 333



Ernst Wagner GmbH & Co. KG

Ernst-Abbe-Straße 21 · D-72770 Reutlingen · Tel.: +49712151539-0 · Fax: -20
info@wagner-ewar.de · www.wagner-ewar.de

WAGNER
EWAR

SENSOR DISINFECTANT DISPENSER WP101E-7



85 x 257 x 120 mm

700 ml tank

- Sensor disinfectant dispenser in robust, germ-reducing and easy-care stainless steel (AISI 316L).
- All-stainless steel housing; all corners fully welded, visible surfaces satin finished and brushed. Further available surfaces: see below.
- With EWAR® eModule touch-free operated disinfectant pump with 700 ml tank.
- Designed for standard disinfectants for hands.
- Inspection slot to indicate fill level.
- Accessible for refilling through lockable, hinged housing.
- Keyed alike cylinder lock in corrosion-resistant zinc die-casting.
- eModule battery-powered with two 1.5 V Baby/LR14 batteries. Power supply available as an option.
- Wear parts can be replaced as modules.
- Mounting: With two screws through key holes and one optional anti-theft hole in the back wall.
- Delivery includes fixing material and batteries.
- Weight, including single package: 1.7 kg

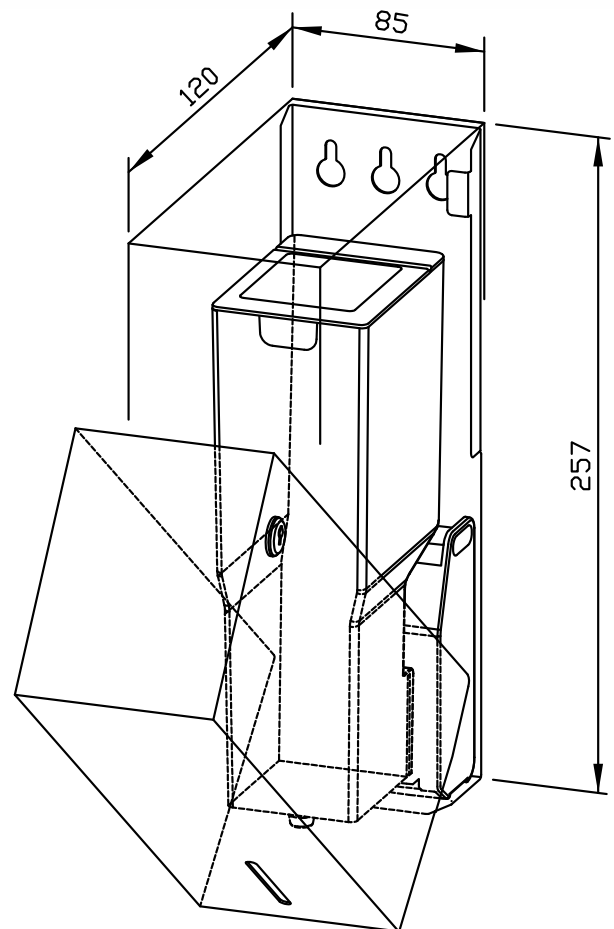


Suggested text for specifications:

Sensor disinfectant dispenser in stainless steel (AISI 316L) for surface mounting. All-stainless steel housing; all corners fully welded, visible surfaces satin finished and brushed. With touch-free operated disinfectant pump with 700 ml tank. Designed for standard disinfectants for hands. Inspection slot to indicate fill level. Accessible for refilling through lockable, hinged housing. Keyed alike cylinder lock in corrosion-resistant zinc die-casting. Delivery includes fixing material and batteries.

Dimensions: 85 x 257 x 120 mm

Article No. WP101e-7



Options	ID No.
Power supply for eModule	923 060
Receptacle for WP101e + WP/PP101e-7	923 140

Available surfaces	ID No.
satin finished (standard)	727 343
highly polished	731 343
(coloured) plastic powder-coating	728 343

Ernst Wagner GmbH & Co. KG

Ernst-Abbe-Straße 21 · D-72770 Reutlingen · Tel.: +49712151539-0 · Fax: -20
info@wagner-ewar.de · www.wagner-ewar.de

WAGNER
EWAR

LIQUID SOAP DISPENSER WP102



80 x 298 x 120 mm

950 ml soap bottle

- Liquid soap dispenser in robust, germ-reducing and easy-care stainless steel (AISI 316L).
- All-stainless steel housing; all corners fully welded, visible surfaces satin finished and brushed. Further available surfaces: see below.
- One-hand operated and non-drip soap pump.
- Designed for standard 950 ml disposable bottles of liquid soap or hand lotion.
- Inspection slot to indicate fill level. Accessible for refilling through lockable, hinged housing.
- Keyed alike cylinder lock in corrosion-resistant zinc die-casting.
- Wear parts can be replaced as modules.
- Mounting: With two screws through key holes and one optional anti-theft hole in the back wall.
- Delivery includes fixing material and first fill with soap.
- Weight, including single package: 2.5 kg

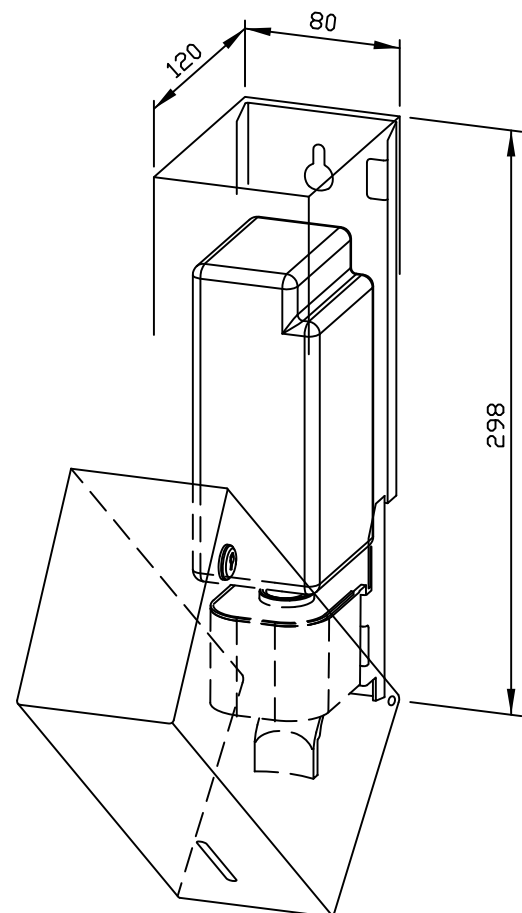


Suggested text for specifications:

Liquid soap dispenser in stainless steel (AISI 316L) for surface mounting. All-stainless steel housing; all corners fully welded, visible surfaces satin finished and brushed. One-hand operated and non-drip soap pump. Designed for standard 950 ml disposable bottles of liquid soap or hand lotion. Inspection slot to indicate fill level. Accessible for refilling through lockable, hinged housing. Keyed alike cylinder lock in corrosion-resistant zinc die-casting. Delivery includes fixing material and first fill with soap.

Dimensions: 80 x 298 x 120 mm

Article No. WP102



Options

ID No.

Receptacle for WP/PP102/103

923 137

Available surfaces

ID No.

satin finished (standard)

727 302

highly polished

731 302

(coloured) plastic powder-coating

728 076

Ernst Wagner GmbH & Co. KG

Ernst-Abbe-Straße 21 · D-72770 Reutlingen · Tel.: +49712151539-0 · Fax: -20
info@wagner-ewar.de · www.wagner-ewar.de

WAGNER
EWAR

LIQUID SOAP DISPENSER WP102-1



80 x 298 x 120 mm

850 ml plug-in tank

- Liquid soap dispenser in robust, germ-reducing and easy-care stainless steel (AISI 316L).
- All-stainless steel housing; all corners fully welded, visible surfaces satin finished and brushed. Further available surfaces: see below.
- One-hand operated and non-drip soap pump with 850 ml plug-in tank.
- Designed for standard liquid soaps or hand lotions.
- Inspection slot to indicate fill level.
- Accessible for refilling through lockable, hinged housing.
- Keyed alike cylinder lock in corrosion-resistant zinc die-casting.
- Wear parts can be replaced as modules.
- Mounting: With two screws through key holes and one optional anti-theft hole in the back wall.
- Delivery includes fixing material.
- Weight, including single package: 1.6 kg

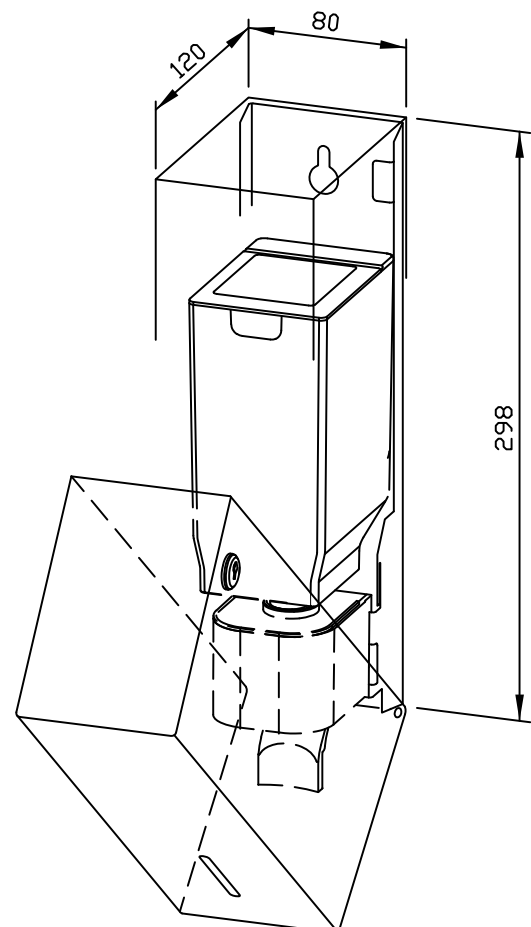


Suggested text for specifications:

Liquid soap dispenser in stainless steel (AISI 316L) for surface mounting. All-stainless steel housing; all corners fully welded, visible surfaces satin finished and brushed. One-hand operated and non-drip soap pump with 850 ml plug-in tank. Designed for standard liquid soaps or hand lotions. Inspection slot to indicate fill level. Accessible for refilling through lockable, hinged housing. Keyed alike cylinder lock in corrosion-resistant zinc die-casting. Delivery includes fixing material.

Dimensions: 80 x 298 x 120 mm

Article No. WP102-1



Options	ID No.
Receptacle for WP/PP102/103	923 137

Available surfaces	ID No.
satin finished (standard)	727 304
highly polished	731 304
(coloured) plastic powder-coating	728 304

Ernst Wagner GmbH & Co. KG

Ernst-Abbe-Straße 21 · D-72770 Reutlingen · Tel.: +49712151539-0 · Fax: -20
info@wagner-ewar.de · www.wagner-ewar.de

WAGNER
EWAR

80 x 298 x 120 mm

950 ml tank

- Disinfectant dispenser in robust, germ-reducing and easy-care stainless steel (AISI 316L).
- All-stainless steel housing; all corners fully welded, visible surfaces satin finished and brushed. Further available surfaces: see below.
- One-hand operated disinfectant pump with 950 ml tank.
- Designed for standard disinfectants for hands.
- Inspection slot to indicate fill level.
- Accessible for refilling through lockable, hinged housing.
- Keyed alike cylinder lock in corrosion-resistant zinc die-casting.
- Wear parts can be replaced as modules.
- Mounting: With two screws through key holes and one optional anti-theft hole in the back wall.
- Delivery includes fixing material.
- Weight, including single package: 1.6 kg

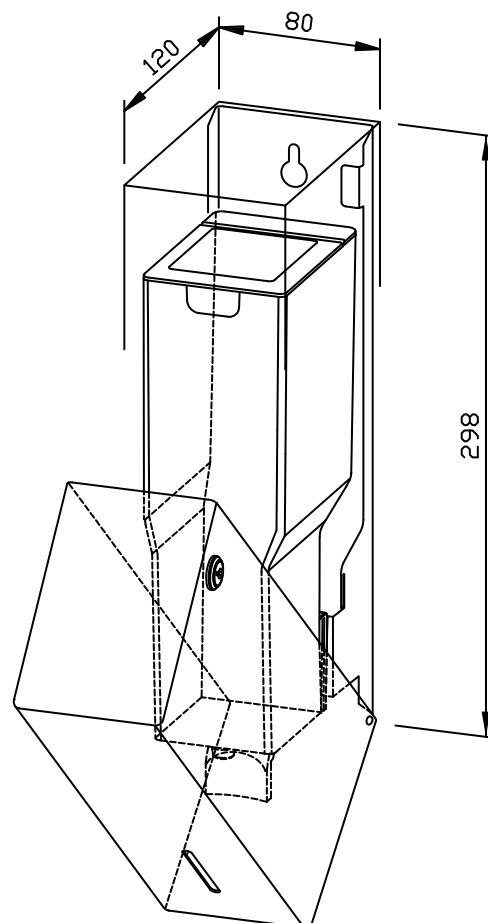


Suggested text for specifications:

Disinfectant dispenser in stainless steel (AISI 316L) for surface mounting. All-stainless steel housing; all corners fully welded, visible surfaces satin finished and brushed. One-hand operated disinfectant pump with 950 ml tank. Designed for standard disinfectants for hands. Inspection slot to indicate fill level. Accessible for refilling through lockable, hinged housing. Keyed alike cylinder lock in corrosion-resistant zinc die-casting. Delivery includes fixing material.

Dimensions: 80 x 298 x 120 mm

Article No. WP102-7



Options	ID No.
Receptacle for WP/PP102/103	923 137
Available surfaces	ID No.
satin finished (standard)	727 309
highly polished	731 309
(coloured) plastic powder-coating	728 309

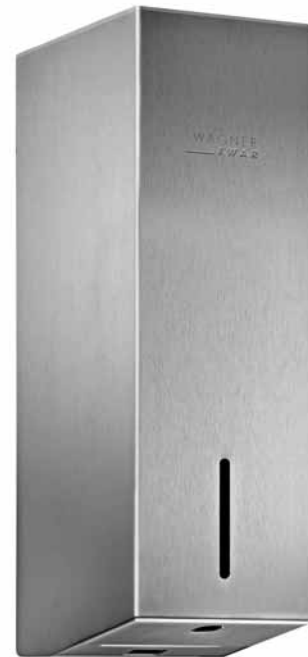
SENSOR LIQUID SOAP DISPENSER WP102E



86 x 298 x 121 mm

950 ml soap bottle

- Sensor liquid soap dispenser in robust, germ-reducing and easy-care stainless steel (AISI 316L).
- All-stainless steel housing; all corners fully welded, visible surfaces satin finished and brushed. Further available surfaces: see below.
- With EWAR® eModule touch-free operated and non-drip soap pump.
- Designed for standard 950 ml disposable bottles of liquid soap or hand lotion.
- Inspection slot to indicate fill level.
- Accessible for refilling through lockable, hinged housing.
- Keyed alike cylinder lock in corrosion-resistant zinc die-casting.
- eModule battery-powered with two 1.5 V Baby/LR14 batteries. Power supply available as an option.
- Wear parts can be replaced as modules.
- Mounting: With three screws through key holes and one optional anti-theft hole in the back wall.
- Delivery includes fixing material, batteries and first fill with soap.
- Weight, including single package: 2.9 kg



Suggested text for specifications:

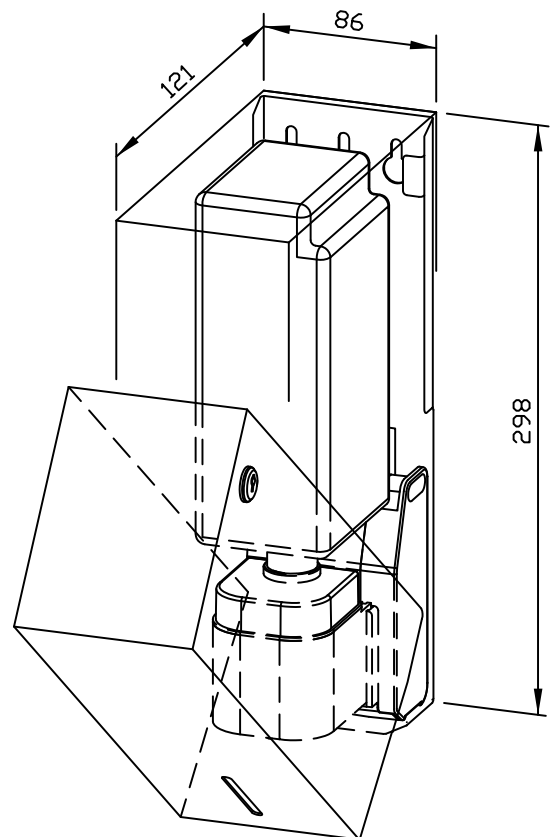
Sensor liquid soap dispenser in stainless steel (AISI 316L) for surface mounting. All-stainless steel housing; all corners fully welded, visible surfaces satin finished and brushed. With touch-free operated and non-drip soap pump. Designed for standard 950 ml disposable bottles of liquid soap or hand lotion. Inspection slot to indicate fill level. Accessible for refilling through lockable, hinged housing. Keyed alike cylinder lock in corrosion-resistant zinc die-casting. Delivery includes fixing material, batteries and first fill with soap.

Dimensions: 86 x 298 x 121 mm

Article No. WP102e

Options	ID No.
Power supply for eModule	923 060
Receptacle for WP/PP102e	923 139

Available surfaces	ID No.
satin finished (standard)	727 306
highly polished	731 306
(coloured) plastic powder-coating	728 306



Ernst Wagner GmbH & Co. KG

Ernst-Abbe-Straße 21 · D-72770 Reutlingen · Tel.: +49712151539-0 · Fax: -20
info@wagner-ewar.de · www.wagner-ewar.de

WAGNER
EWAR

SENSOR LIQUID SOAP DISPENSER WP102E-1



86 x 298 x 121 mm

850 ml plug-in tank

- Sensor liquid soap dispenser in robust, germ-reducing and easy-care stainless steel (AISI 316L).
- All-stainless steel housing; all corners fully welded, visible surfaces satin finished and brushed. Further available surfaces: see below.
- With EWAR® eModule touch-free operated and non-drip soap pump with 850 ml plug-in tank.
- Designed for standard liquid soaps or hand lotions.
- Inspection slot to indicate fill level.
- Accessible for refilling through lockable, hinged housing.
- Keyed alike cylinder lock in corrosion-resistant zinc die-casting.
- eModule battery-powered with two 1.5 V Baby/LR14 batteries. Power supply available as an option.
- Wear parts can be replaced as modules.
- Mounting: With three screws through key holes and one optional anti-theft hole in the back wall.
- Delivery includes fixing material and batteries.
- Weight, including single package: 1.8 kg

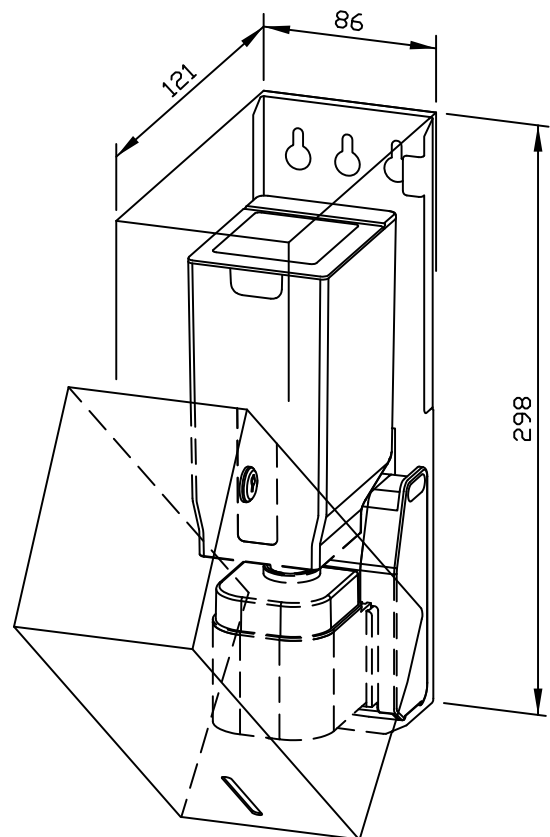


Suggested text for specifications:

Sensor liquid soap dispenser in stainless steel (AISI 316L) for surface mounting. All-stainless steel housing; all corners fully welded, visible surfaces satin finished and brushed. With touch-free operated and non-drip soap pump with 850 ml plug-in tank. Designed for standard liquid soaps or hand lotions. Inspection slot to indicate fill level. Accessible for refilling through lockable, hinged housing. Keyed alike cylinder lock in corrosion-resistant zinc die-casting. Delivery includes fixing material and batteries.

Dimensions: 86 x 298 x 121 mm

Article No. WP102e-1



Options	ID No.
Power supply for eModule	923 060
Receptacle for WP/PP102e	923 139

Available surfaces	ID No.
satin finished (standard)	727 308
highly polished	731 308
(coloured) plastic powder-coating	728 308

Ernst Wagner GmbH & Co. KG

Ernst-Abbe-Straße 21 · D-72770 Reutlingen · Tel.: +49712151539-0 · Fax: -20
info@wagner-ewar.de · www.wagner-ewar.de

WAGNER
EWAR

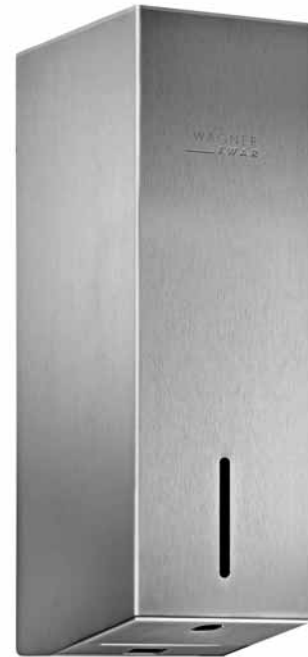
SENSOR DISINFECTANT DISPENSER WP102E-7



86 x 298 x 121 mm

950 ml tank

- Sensor disinfectant dispenser in robust, germ-reducing and easy-care stainless steel (AISI 316L).
- All-stainless steel housing; all corners fully welded, visible surfaces satin finished and brushed.
Further available surfaces: see below.
- With EWAR® eModule touch-free operated disinfectant pump with 950 ml tank.
- Designed for standard disinfectants for hands.
- Inspection slot to indicate fill level.
- Accessible for refilling through lockable, hinged housing.
- Keyed alike cylinder lock in corrosion-resistant zinc die-casting.
- eModule battery-powered with two 1.5 V Baby/LR14 batteries.
Power supply available as an option.
- Wear parts can be replaced as modules.
- Mounting: With two screws through key holes and one optional anti-theft hole in the back wall.
- Delivery includes fixing material and batteries.
- Weight, including single package: 1.8 kg

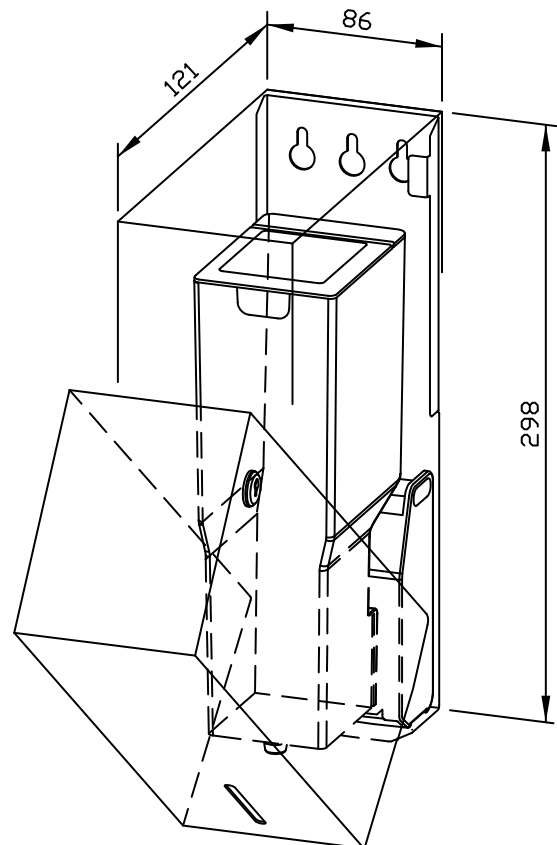


Suggested text for specifications:

Sensor disinfectant dispenser in stainless steel (AISI 316L) for surface mounting. All-stainless steel housing; all corners fully welded, visible surfaces satin finished and brushed. With touch-free operated disinfectant pump with 950 ml tank. Designed for standard disinfectants for hands. Inspection slot to indicate fill level. Accessible for refilling through lockable, hinged housing. Keyed alike cylinder lock in corrosion-resistant zinc die-casting. Delivery includes fixing material and batteries.

Dimensions: 86 x 298 x 121 mm

Article No. WP102e-7



Options	ID No.
Power supply for eModule	923 060
Receptacle for WP/PP102e	923 139

Available surfaces	ID No.
satin finished (standard)	727 311
highly polished	731 311
(coloured) plastic powder-coating	728 311

Ernst Wagner GmbH & Co. KG

Ernst-Abbe-Straße 21 · D-72770 Reutlingen · Tel.: +49712151539-0 · Fax: -20
info@wagner-ewar.de · www.wagner-ewar.de

WAGNER
EWAR

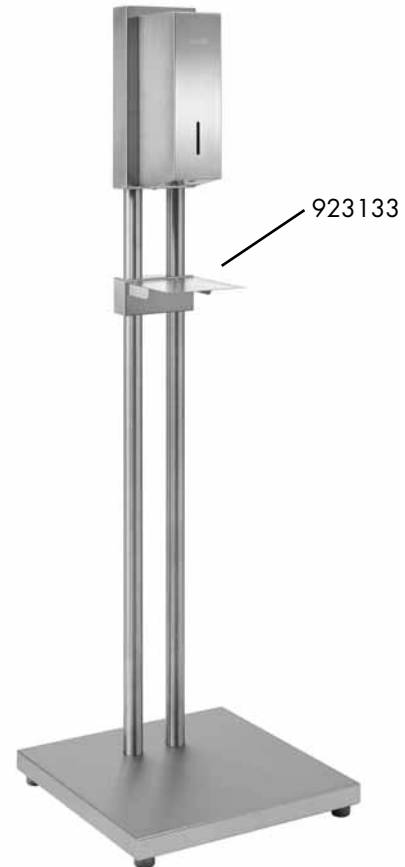
HYGIENE STATION STAND MODEL WITH SENSOR-DISINFECTANT DISPENSER WP102E-7S



380 x 1350 x 380 mm

950 ml tank

- Hygiene station consisting of a sensor-disinfectant dispenser and a floor-stand in robust, germ-reducing and easy-care stainless steel.
- Visible surfaces satin finished and brushed. Further available surfaces: see below.
- Sensor-disinfectant dispenser in stainless steel (AISI316L); all corners fully welded.
 - With EWAR® eModule touch-free operated disinfectant pump with 950 ml tank.
 - Designed for standard disinfectants for hands.
 - Inspection slot to indicate fill level.
 - Accessible for refilling through lockable, hinged housing.
 - Keyed alike cylinder lock in corrosion-resistant zinc die-casting.
 - eModule battery-powered with two 1.5 V Baby/LR14 batteries.
 - Wear parts can be replaced as modules.
 - Delivery includes batteries.
- Floor-stand in stainless steel (AISI304)
 - Base plate with rubber feet.
 - Intended for free floor installation.
- Weight, including single package: 10.2 kg



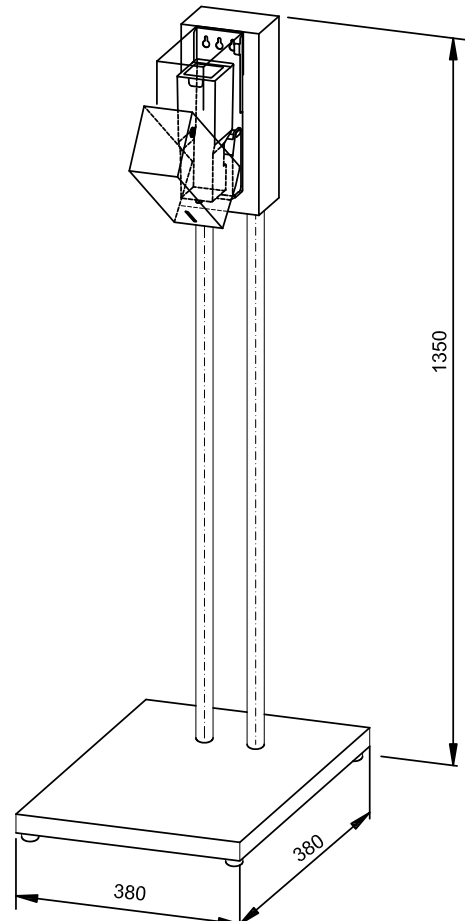
Suggested text for specifications:

Hygiene station consisting of a sensor-disinfectant dispenser and a floor-stand in stainless steel, visible surfaces satin finished and brushed. Sensor-disinfectant dispenser in stainless steel (AISI316L); all corners fully welded. With touch-free operated disinfectant pump with 950 ml tank. Designed for standard disinfectants for hands. Inspection slot to indicate fill level. Accessible for refilling through lockable, hinged housing. Keyed alike cylinder lock in corrosion-resistant zinc die-casting. Delivery includes batteries. Floor-stand in stainless steel (AISI304) with rubber feet. Intended for free floor installation.

Dimensions: 380 x 1350 x 380 mm

Article No. WP102e-7S

Options	ID No.
Receptacle for WP floor stand	923 133
Available surfaces	ID No.
satin finished (standard)	727 370
(coloured) plastic powder-coating	728 370



Ernst Wagner GmbH & Co. KG

Ernst-Abbe-Straße 21 · D-72770 Reutlingen · Tel.: +49712151539-0 · Fax: -20
info@wagner-ewar.de · www.wagner-ewar.de

WAGNER
EWAR

HYGIENE STATION TABLE MODEL WITH SENSOR-DISINFECTANT DISPENSER WP102E-7T



300 x 500 x 300 mm

950 ml tank

- Hygiene station consisting of a sensor-disinfectant dispenser and a table-stand in robust, germ-reducing and easy-care stainless steel.
- Visible surfaces satin finished and brushed.
Further available surfaces: see below.
- Sensor-disinfectant dispenser in stainless steel (AISI316L); all corners fully welded.
 - With EWAR® eModule touch-free operated disinfectant pump with 950 ml tank.
 - Designed for standard disinfectants for hands.
 - Inspection slot to indicate fill level.
 - Accessible for refilling through lockable, hinged housing.
 - Keyed alike cylinder lock in corrosion-resistant zinc die-casting.
 - eModule battery-powered with two 1.5 V Baby/LR14 batteries.
 - Wear parts can be replaced as modules.
 - Delivery includes batteries.
- Table-stand in stainless steel (AISI304)
 - Base plate with rubber feet and removable receptacle.
 - Intended for free installation.
- Weight, including single package: 5.7 kg

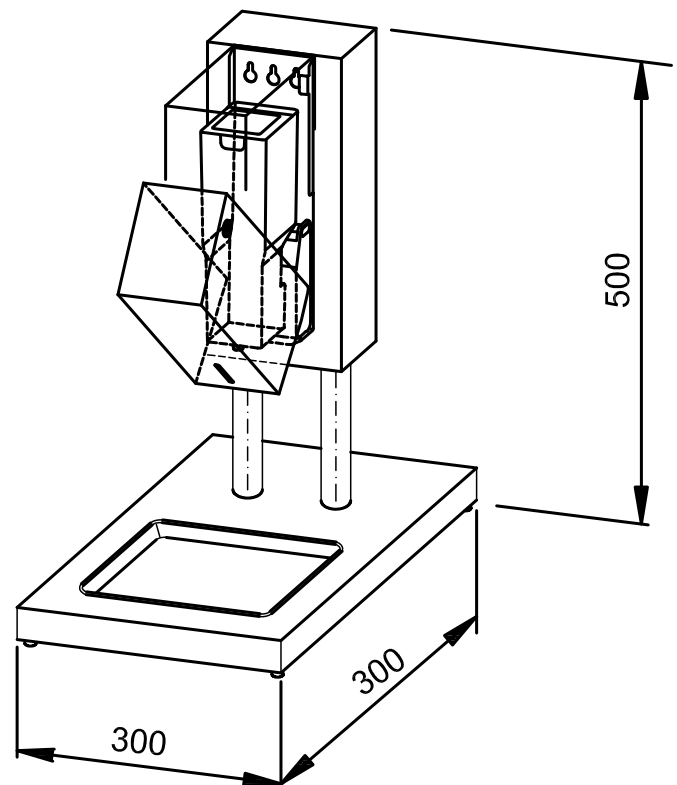


Suggested text for specifications:

Hygiene station consisting of a sensor-disinfectant dispenser and a table-stand in stainless steel, visible surfaces satin finished and brushed. Sensor-disinfectant dispenser in stainless steel (AISI316L); all corners fully welded. With touch-free operated disinfectant pump with 950 ml tank. Designed for standard disinfectants for hands. Inspection slot to indicate fill level. Accessible for refilling through lockable, hinged housing. Keyed alike cylinder lock in corrosion-resistant zinc die-casting. Delivery includes batteries. Table-stand in stainless steel (AISI304) with rubber feet and removable receptacle. Intended for free installation.

Dimensions: 300 x 500 x 300 mm

Article No. WP102e-7T



Available surfaces	ID No.
satin finished (standard)	727 371
(coloured) plastic powder-coating	728 371

Ernst Wagner GmbH & Co. KG

Ernst-Abbe-Straße 21 · D-72770 Reutlingen · Tel.: +49712151539-0 · Fax: -20
info@wagner-ewar.de · www.wagner-ewar.de

WAGNER
EWAR

FOAM SOAP DISPENSER WP103



80 x 298 x 120 mm

400 ml foam soap concentrate

- Foam soap dispenser in robust, germ-reducing and easy-care stainless steel (AISI 316L).
- All-stainless steel housing; all corners fully welded, visible surfaces satin finished and brushed. Further available surfaces: see below.
- One-hand operated and non-drip foam soap pump.
- Designed for standard 400 ml foam soap concentrate.
- Inspection slot to indicate fill level.
- Accessible for refilling through lockable, hinged housing.
- Keyed alike cylinder lock in corrosion-resistant zinc die-casting.
- Wear parts can be replaced as modules.
- Mounting: With two screws through key holes and one optional anti-theft hole in the back wall.
- Delivery includes fixing material and first fill with foam soap concentrate.
- Weight, including single package: 1.9 kg

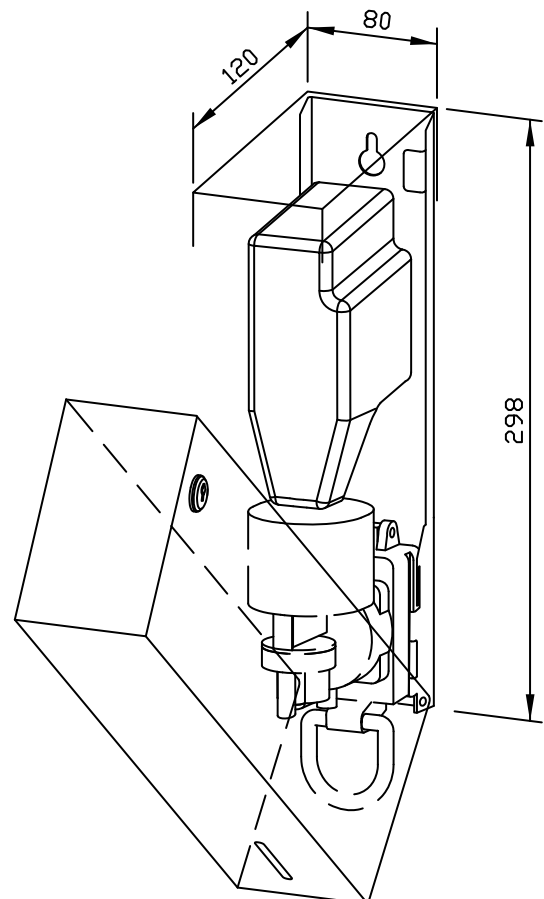


Suggested text for specifications:

Foam soap dispenser in stainless steel (AISI 316L) for surface mounting. All-stainless steel housing; all corners fully welded, visible surfaces satin finished and brushed. One-hand operated and non-drip foam soap pump. Designed for standard 400 ml foam soap concentrate. Inspection slot to indicate fill level. Accessible for refilling through lockable, hinged housing. Keyed alike cylinder lock in corrosion-resistant zinc die-casting. Delivery includes fixing material and first fill with foam soap concentrate.

Dimensions: 80 x 298 x 120 mm

Article No. WP103



Options	ID No.
Receptacle for WP/PP102/103	923 137

Available surfaces	ID No.
satin finished (standard)	727 103
highly polished	731 103
(coloured) plastic powder-coating	728 072

Ernst Wagner GmbH & Co. KG

Ernst-Abbe-Straße 21 · D-72770 Reutlingen · Tel.: +49712151539-0 · Fax: -20
info@wagner-ewar.de · www.wagner-ewar.de

WAGNER
EWAR

LIQUID SOAP DISPENSER WP105



148 x 148 x 120 mm

1000 ml soap tank

- Liquid soap dispenser in robust, germ-reducing and easy-care stainless steel (AISI 316L).
- All-stainless steel housing; all corners fully welded, visible surfaces satin finished and brushed. Further available surfaces: see below.
- One-hand operated and non-drip soap pump with 1000 ml tank and pressure valve in brass.
- Tank with large, lockable refill opening.
- Designed for standard liquid soaps.
- Accessible for refilling through lockable, removable front panel with fall protection.
- Keyed alike cylinder lock in corrosion-resistant zinc die-casting.
- Wear parts can be replaced as modules.
- Mounting: With four screws through key holes and one optional anti-theft hole in the back wall.
- Delivery includes fixing material.
- Weight, including single package: 1.5 kg

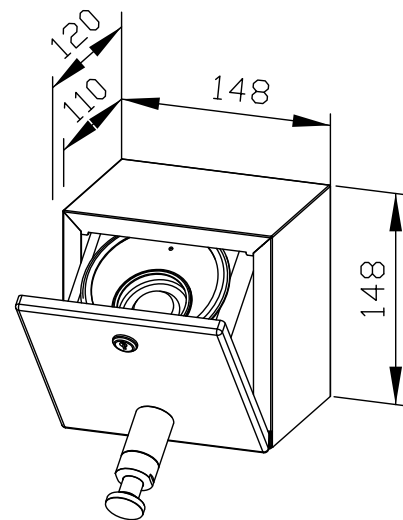


Suggested text for specifications:

Liquid soap dispenser in stainless steel (AISI 316L) for surface mounting. All-stainless steel housing; all corners fully welded, visible surfaces satin finished and brushed. One-hand operated and non-drip soap pump with 1000 ml tank and pressure valve in brass. Designed for standard liquid soaps. Accessible for refilling through lockable, removable front panel with fall protection. Keyed alike cylinder lock in corrosion-resistant zinc die-casting. Delivery includes fixing material.

Dimensions: 148 x 148 x 120 mm

Article No. WP105



Available surfaces	ID No.
satin finished (standard)	727 599
highly polished	731 599
(coloured) plastic powder-coating	728 110

Ernst Wagner GmbH & Co. KG

Ernst-Abbe-Straße 21 · D-72770 Reutlingen · Tel.: +49712151539-0 · Fax: -20
info@wagner-ewar.de · www.wagner-ewar.de

WAGNER
EWAR

LIQUID SOAP DISPENSER WP106



148 x 148 x 120 mm

1000 ml soap tank

- Liquid soap dispenser in robust, germ-reducing and easy-care stainless steel (AISI 316L).
- All-stainless steel housing; all corners fully welded, visible surfaces satin finished and brushed. Further available surfaces: see below.
- One-hand operated and non-drip soap pump with 1000 ml tank and pressure valve in brass.
- Tank with large, lockable refill opening.
- Designed for standard liquid soaps.
- Accessible for refilling through lockable, removable front panel with fall protection.
- Keyed alike cylinder lock in corrosion-resistant zinc die-casting.
- Wear parts can be replaced as modules.
- Installation dimensions: 150 x 150 x 110 mm
- Mounting: With four screws in wall opening through fixing holes in the side walls.
- Delivery includes fixing material.
- Weight, including single package: 1.5 kg

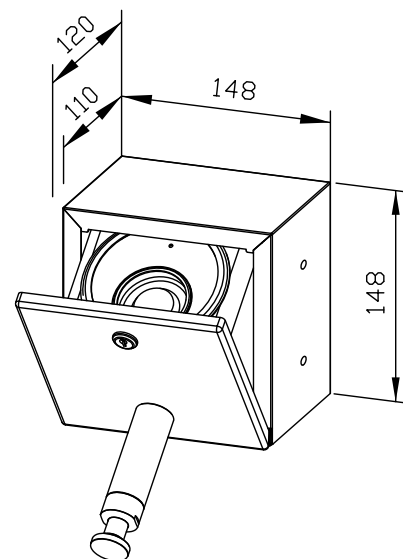


Suggested text for specifications:

Liquid soap dispenser in stainless steel (AISI 316L) for flush mounting. All-stainless steel housing; all corners fully welded, visible surfaces satin finished and brushed. One-hand operated and non-drip soap pump with 1000 ml tank and pressure valve in brass. Designed for standard liquid soaps. Accessible for refilling through lockable, removable front panel with fall protection. Keyed alike cylinder lock in corrosion-resistant zinc die-casting. Delivery includes fixing material.

Dimensions: 148 x 148 x 120 mm

Article No. WP106



Available surfaces	ID No.
satin finished (standard)	727 607
highly polished	731 607
(coloured) plastic powder-coating	728 111

Ernst Wagner GmbH & Co. KG

Ernst-Abbe-Straße 21 · D-72770 Reutlingen · Tel.: +49712151539-0 · Fax: -20
info@wagner-ewar.de · www.wagner-ewar.de

WAGNER
EWAR

70 x 170 x 90 mm

200 ml soap tank

- Liquid soap dispenser in robust, germ-reducing and easy-care stainless steel (AISI 316L).
- All-stainless steel housing; all corners fully welded, visible surfaces satin finished and brushed. Further available surfaces: see below.
- One-hand operated and non-drip soap pump with 200 ml tank.
- Tank with large, lockable refill opening.
- Designed for standard liquid soaps or hand lotions.
- Inspection slot to indicate fill level.
- Accessible for refilling through lockable, hinged housing.
- Keyed alike cylinder lock in corrosion-resistant zinc die-casting.
- Wear parts can be replaced as modules.
- Mounting: With two screws through key holes and one optional anti-theft hole in the back wall.
- Delivery includes fixing material.
- Weight, including single package: 0.8 kg

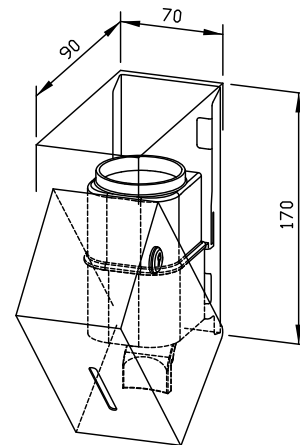


Suggested text for specifications:

Liquid soap dispenser in stainless steel (AISI 316L) for surface mounting. All-stainless steel housing; all corners fully welded, visible surfaces satin finished and brushed. One-hand operated and non-drip soap pump with 200 ml tank. Designed for standard liquid soaps or hand lotions. Inspection slot to indicate fill level. Accessible for refilling through lockable, hinged housing. Keyed alike cylinder lock in corrosion-resistant zinc die-casting. Delivery includes fixing material.

Dimensions: 70 x 170 x 90 mm

Article No. WP107



Available surfaces	ID No.
satin finished (standard)	727 307
highly polished	731 307
(coloured) plastic powder-coating	728 307

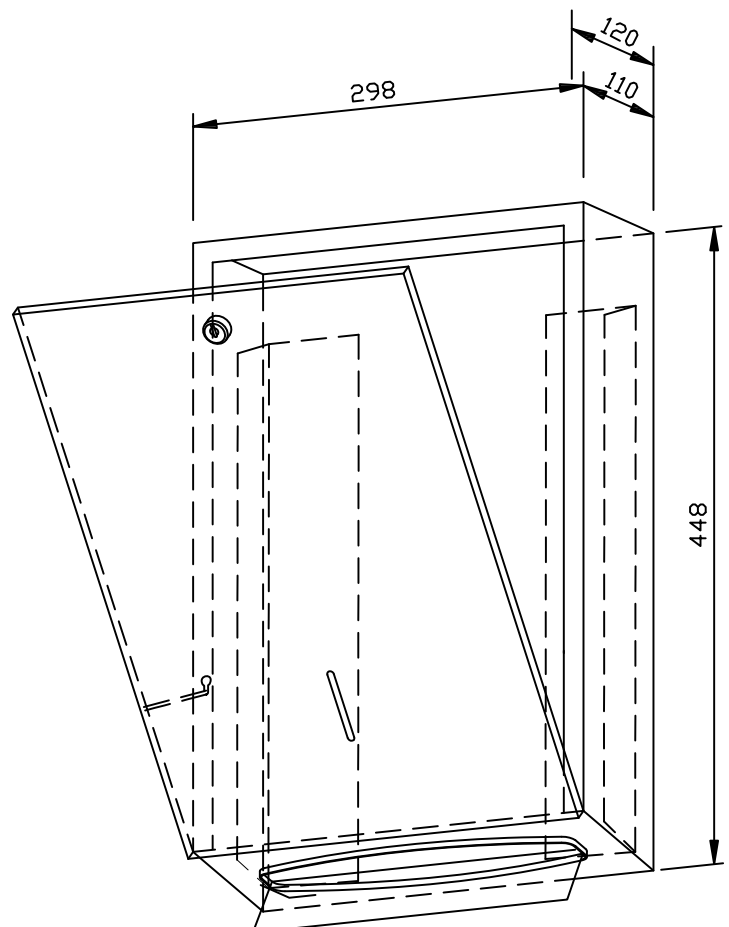
PAPER TOWEL DISPENSER WP111



298 x 448 x 120 mm

approx. 750 paper towels

- Paper towel dispenser in robust, germ-reducing and easy-care stainless steel (AISI 304).
- All-stainless steel housing; all corners fully welded, visible surfaces satin finished and brushed. Further available surfaces: see below.
- With deep-drawn paper removal opening for easy paper removal.
- Designed for approx. 750 standard paper towels in zigzag fold. Paper size (folded): 240-250 mm x 100-115 mm.
- Inspection slot to indicate fill level.
- Accessible for refilling through lockable front flap with fall protection.
- Keyed alike cylinder lock in corrosion-resistant zinc die-casting.
- Wear parts can be replaced as modules.
- Mounting: With four screws through key holes and one optional anti-theft hole in the back wall.
- Delivery includes fixing material and one pack of paper towels.
- Weight, including single package: 4.1 kg



Suggested text for specifications:

Paper towel dispenser in stainless steel (AISI 304) for surface mounting. All-stainless steel housing; all corners fully welded, visible surfaces satin finished and brushed. With deep-drawn paper removal opening, filling quantity approx. 750 paper towels. Inspection slot to indicate fill level. Accessible for refilling through lockable front flap with fall protection. Keyed alike cylinder lock in corrosion-resistant zinc die-casting. Delivery includes fixing material and one pack of paper towels.

Dimensions: 298 x 448 x 120 mm

Article No. WP111

Available surfaces	ID No.
satin finished (standard)	727 449
highly polished	731 449
(coloured) plastic powder-coating	728 124

Ernst Wagner GmbH & Co. KG

Ernst-Abbe-Straße 21 · D-72770 Reutlingen · Tel.: +49712151539-0 · Fax: -20
info@wagner-ewar.de · www.wagner-ewar.de

WAGNER
EWAR

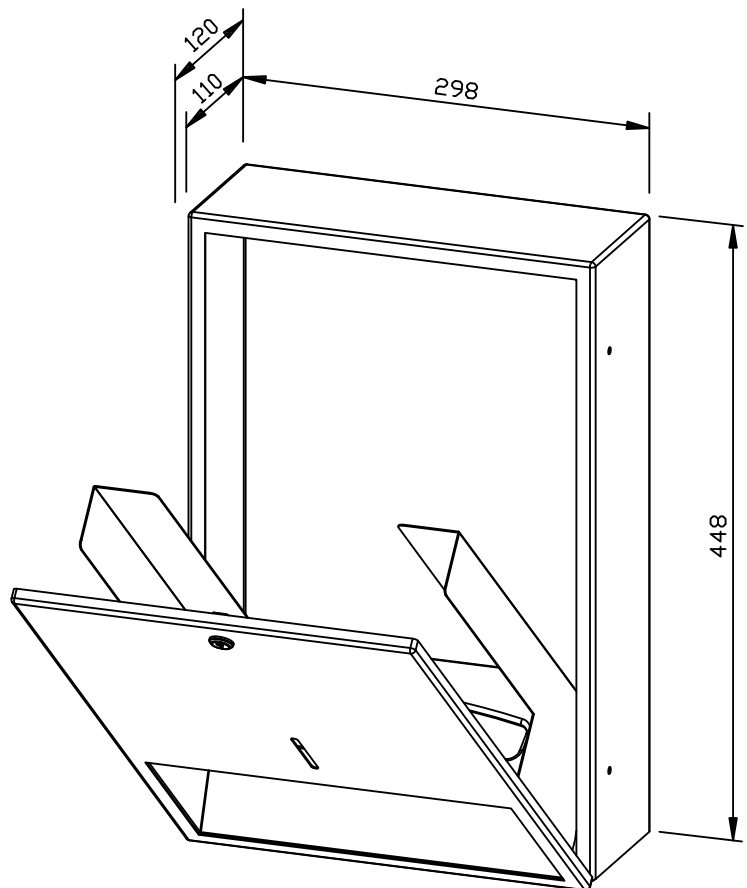
PAPER TOWEL DISPENSER WP112



298 x 448 x 120 mm

approx. 500 paper towels

- Paper towel dispenser in robust, germ-reducing and easy-care stainless steel (AISI 304).
- All-stainless steel housing; all corners fully welded, visible surfaces satin finished and brushed. Further available surfaces: see below.
- With deep-drawn paper removal opening for easy paper removal.
- Designed for approx. 500 standard paper towels in zigzag fold. Paper size (folded): 240-250 mm x 100-115 mm.
- Inspection slot to indicate fill level.
- Accessible for refilling through lockable front flap with fall protection.
- Keyed alike cylinder lock in corrosion-resistant zinc die-casting.
- Wear parts can be replaced as modules.
- Installation dimensions: 300 x 450 x 110 mm
- Mounting: With four screws in wall opening through fixing holes in the side walls.
- Delivery includes fixing material and one pack of paper towels.
- Weight, including single package: 4.5 kg



Suggested text for specifications:

Paper towel dispenser in stainless steel (AISI 304) for flush mounting. All-stainless steel housing; all corners fully welded, visible surfaces satin finished and brushed. With deep-drawn paper removal opening, filling quantity approx. 500 paper towels. Inspection slot to indicate fill level. Accessible for refilling through lockable front flap with fall protection. Keyed alike cylinder lock in corrosion-resistant zinc die-casting. Delivery includes fixing material and one pack of paper towels.

Dimensions: 298 x 448 x 120 mm

Article No. WP112

Available surfaces	ID No.
satin finished (standard)	727 579
highly polished	731 579
(coloured) plastic powder-coating	728 118

Ernst Wagner GmbH & Co. KG

Ernst-Abbe-Straße 21 · D-72770 Reutlingen · Tel.: +49712151539-0 · Fax: -20
info@wagner-ewar.de · www.wagner-ewar.de

WAGNER
EWAR

PAPER TOWEL DISPENSER WP113



298 x 298 x 120 mm

approx. 500 paper towels

- Paper towel dispenser in robust, germ-reducing and easy-care stainless steel (AISI 304).
- All-stainless steel housing; all corners fully welded, visible surfaces satin finished and brushed. Further available surfaces: see below.
- With deep-drawn paper removal opening for easy paper removal.
- Designed for approx. 500 standard paper towels in zigzag fold. Paper size (folded): 240-250 mm x 100-115 mm.
- Inspection slot to indicate fill level.
- Accessible for refilling through lockable front flap with fall protection.
- Keyed alike cylinder lock in corrosion-resistant zinc die-casting.
- Wear parts can be replaced as modules.
- Mounting: With four screws through key holes and one optional anti-theft hole in the back wall.
- Delivery includes fixing material and one pack of paper towels.
- Weight, including single package: 3.1 kg

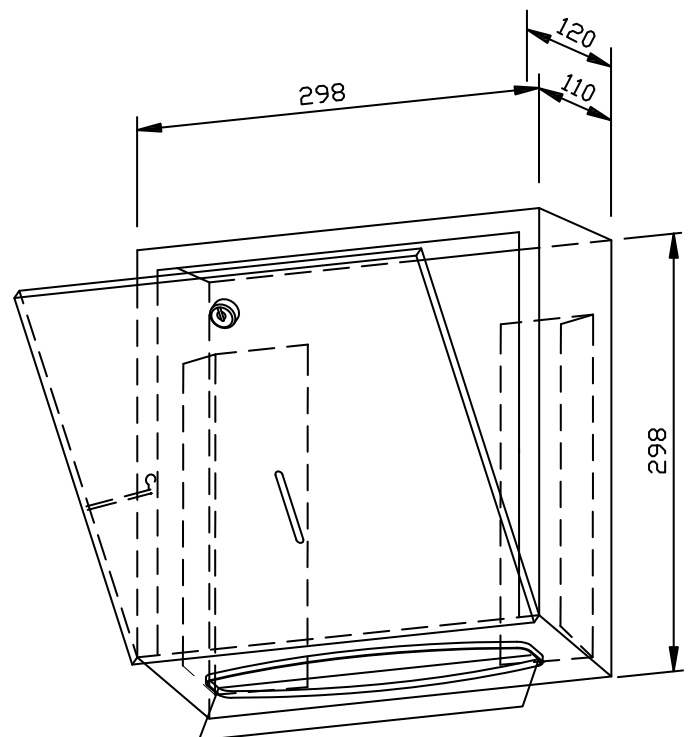


Suggested text for specifications:

Paper towel dispenser in stainless steel (AISI 304) for surface mounting. All-stainless steel housing; all corners fully welded, visible surfaces satin finished and brushed. With deep-drawn paper removal opening, filling quantity approx. 500 paper towels. Inspection slot to indicate fill level. Accessible for refilling through lockable front flap with fall protection. Keyed alike cylinder lock in corrosion-resistant zinc die-casting. Delivery includes fixing material and one pack of paper towels.

Dimensions: 298 x 298 x 120 mm

Article No. WP113



Available surfaces

ID No.

satin finished (standard)

727 433

highly polished

731 433

(coloured) plastic powder-coating

728 125

Ernst Wagner GmbH & Co. KG

Ernst-Abbe-Straße 21 · D-72770 Reutlingen · Tel.: +49712151539-0 · Fax: -20
info@wagner-ewar.de · www.wagner-ewar.de

WAGNER
EWAR

PAPER TOWEL DISPENSER WP114



298 x 298 x 120 mm

approx. 250 paper towels

- Paper towel dispenser in robust, germ-reducing and easy-care stainless steel (AISI 304).
- All-stainless steel housing; all corners fully welded, visible surfaces satin finished and brushed. Further available surfaces: see below.
- With deep-drawn paper removal opening for easy paper removal.
- Designed for approx. 250 standard paper towels in zigzag fold. Paper size (folded): 240-250 mm x 100-115 mm.
- Inspection slot to indicate fill level.
- Accessible for refilling through lockable front flap with fall protection.
- Keyed alike cylinder lock in corrosion-resistant zinc die-casting.
- Wear parts can be replaced as modules.
- Installation dimensions: 300 x 300 x 110 mm
- Mounting: With four screws in wall opening through fixing holes in the side walls.
- Delivery includes fixing material and one pack of paper towels.
- Weight, including single package: 3.4 kg

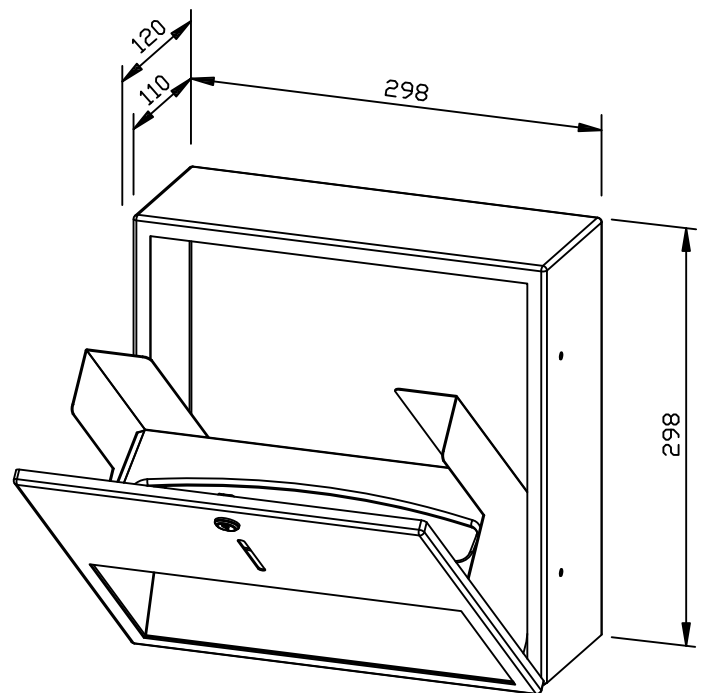


Suggested text for specifications:

Paper towel dispenser in stainless steel (AISI 304) for flush mounting. All-stainless steel housing; all corners fully welded, visible surfaces satin finished and brushed. With deep-drawn paper removal opening, filling quantity approx. 250 paper towels. Inspection slot to indicate fill level. Accessible for refilling through lockable front flap with fall protection. Keyed alike cylinder lock in corrosion-resistant zinc die-casting. Delivery includes fixing material and one pack of paper towels.

Dimensions: 298 x 298 x 120 mm

Article No. WP114



Available surfaces	ID No.
satin finished (standard)	727 570
highly polished	731 570
(coloured) plastic powder-coating	728 119

Ernst Wagner GmbH & Co. KG

Ernst-Abbe-Straße 21 · D-72770 Reutlingen · Tel.: +49712151539-0 · Fax: -20
info@wagner-ewar.de · www.wagner-ewar.de

WAGNER
EWAR

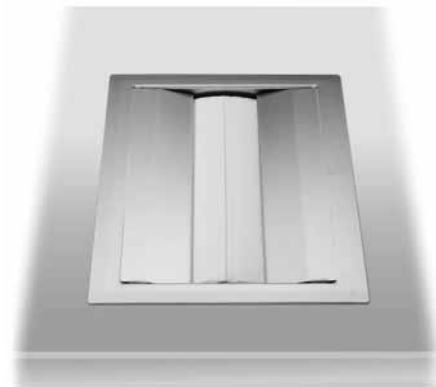
PAPER TOWEL DISPENSER WP117



300 x 185 x 200 mm

approx. 250 paper towels

- Paper towel dispenser in robust, germ-reducing and easy-care stainless steel (AISI 304).
- All-stainless steel housing; visible surfaces satin finished and brushed. Further available surfaces: see below.
- Paper guided through a non-wearing, constant pressure spring mechanism for easy paper removal.
- Designed for approx. 250 standard paper towels in zigzag- or c-fold.
Paper size (folded): 240-250 mm x 100-115 mm.
- Accessible for refilling through spring flaps from the top.
- Installation dimensions: 266 x 155 mm
- Mounting: With four screws from below with brackets.
- Delivery includes fixing material and one pack of paper towels.
- Weight, including single package: 3.8 kg

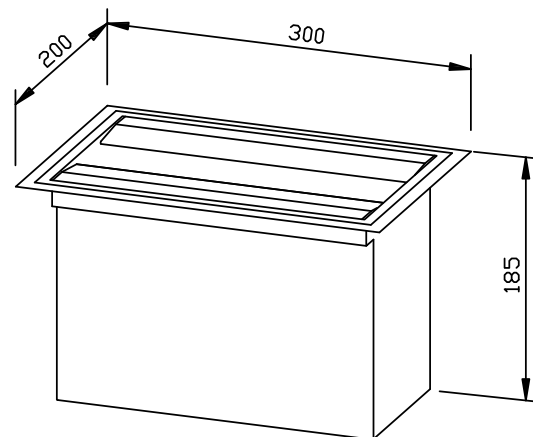


Suggested text for specifications:

Paper towel dispenser in stainless steel (AISI 304) for counter mounting. All-stainless steel housing; visible surfaces satin finished and brushed. Filling quantity approx. 250 paper towels. Accessible for refilling through spring flaps from the top. Delivery includes fixing material and one pack of paper towels.

Dimensions: 300 x 185 x 200 mm

Article No. WP117



Available surfaces	ID No.
satin finished (standard)	727 040
highly polished	731 040
(coloured) plastic powder-coating	728 040

Ernst Wagner GmbH & Co. KG

Ernst-Abbe-Straße 21 · D-72770 Reutlingen · Tel.: +49712151539-0 · Fax: -20
info@wagner-ewar.de · www.wagner-ewar.de

WAGNER
EWAR

TISSUE DISPENSER WP118



269 x 122,5 x 76 mm
for one Kleenex® tissue box

- Tissue dispenser in robust, germ-reducing and easy-care stainless steel (AISI 304).
- All-stainless steel housing; visible surfaces satin finished and brushed.
Further available surfaces: see below.
- Designed for one standard Kleenex® tissue box with dimensions of approx. 240 mm x 115 x 70 mm.
- Accessible for refilling through lockable, hinged housing.
- Keyed alike cylinder lock in corrosion-resistant zinc die-casting.
- Wear parts can be replaced as modules.
- Mounting: With two screws through key holes and one optional anti-theft hole in the back wall.
- Delivery includes fixing material.
- Weight, including single package: 1.5 kg

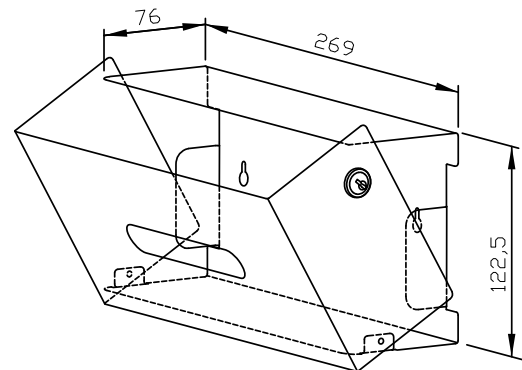


Suggested text for specifications:

Tissue dispenser in stainless steel (AISI 304) for surface mounting. All-stainless steel housing; visible surfaces satin finished and brushed. Designed for one standard Kleenex® tissue box. Accessible for refilling through lockable, hinged housing. Keyed alike cylinder lock in corrosion-resistant zinc die-casting. Delivery includes fixing material.

Dimensions: 269 x 122,5 x 76 mm

Article No. WP118



Available surfaces	ID No.
satin finished (standard)	727 520
highly polished	731 520
(coloured) plastic powder-coating	728 520

Ernst Wagner GmbH & Co. KG

Ernst-Abbe-Straße 21 · D-72770 Reutlingen · Tel.: +49712151539-0 · Fax: -20
info@wagner-ewar.de · www.wagner-ewar.de

WAGNER
EWAR

WET WIPE TOILET PAPER DISPENSER WP119



172 x 79 x 135 mm

for one wet wipe toilet paper box

- Wet wipe toilet paper dispenser in robust, germ-reducing and easy-care stainless steel (AISI 304).
- All-stainless steel housing; visible surfaces satin finished and brushed.
Further available surfaces: see below.
- Designed for one standard wet wipe toilet paper box with dimensions of approx. 165 x 78 x 121 mm
- Accessible through hinged lid.
- Mounting: With two screws through key holes and one optional anti-theft hole in the back wall.
- Delivery includes fixing material.
- Weight, including single package: 1.0 kg

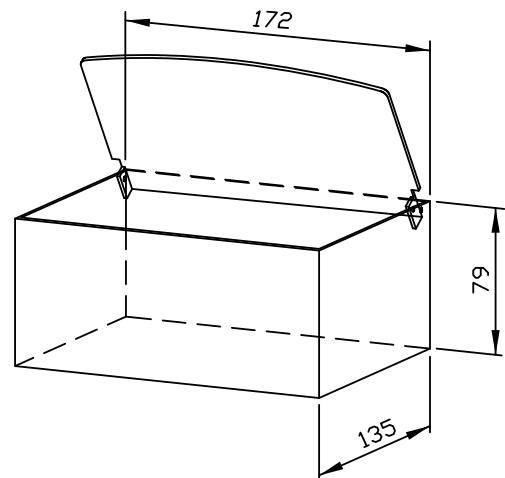


Suggested text for specifications:

Wet wipe toilet paper dispenser in stainless steel (AISI 304) for surface mounting. All-stainless steel housing; visible surfaces satin finished and brushed. Designed for one standard wet wipe toilet paper box. Accessible through hinged lid. Delivery includes fixing material.

Dimensions: 172 x 79 x 135 mm

Article No. WP119



Available surfaces	ID No.
satin finished (standard)	727 525
highly polished	731 525
(coloured) plastic powder-coating	729 525

Ernst Wagner GmbH & Co. KG

Ernst-Abbe-Straße 21 · D-72770 Reutlingen · Tel.: +49712151539-0 · Fax: -20
info@wagner-ewar.de · www.wagner-ewar.de

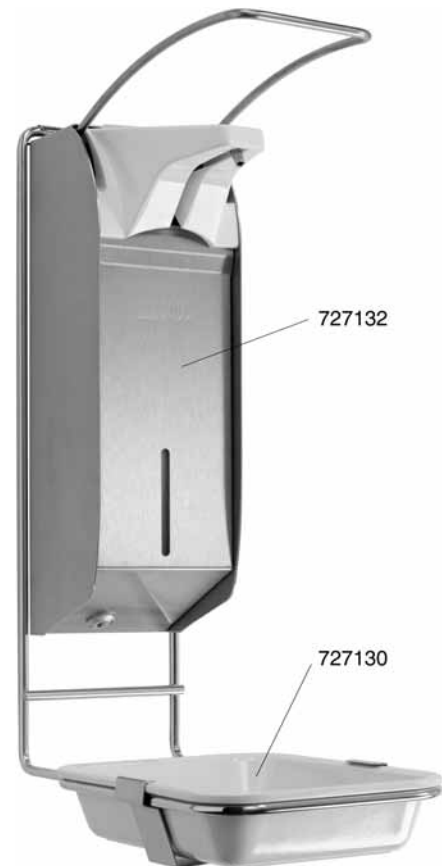
WAGNER
EWAR

DISINFECTANT DISPENSER WP120



81 x 245 x 215 mm
500 ml bottle disinfectant

- Disinfectant dispenser in robust, germ-reducing and easy-care stainless steel (AISI 304).
- Half-open stainless steel housing; visible surfaces satin finished and brushed.
- Elbow-operated disinfectant pump, can be set to different levels and autoclaved.
- Designed for standard 500 ml disposable bottles of disinfectant for hands.
- Accessible for refilling from the front side. Lockable cover plate in stainless steel as an option for a surcharge.
- Further accessories for a surcharge: drip tray
- Wear parts can be replaced as modules.
- Mounting: With three screws through holes in the back wall.
- Delivery includes fixing material.
- Weight, including single package: 1.1 kg

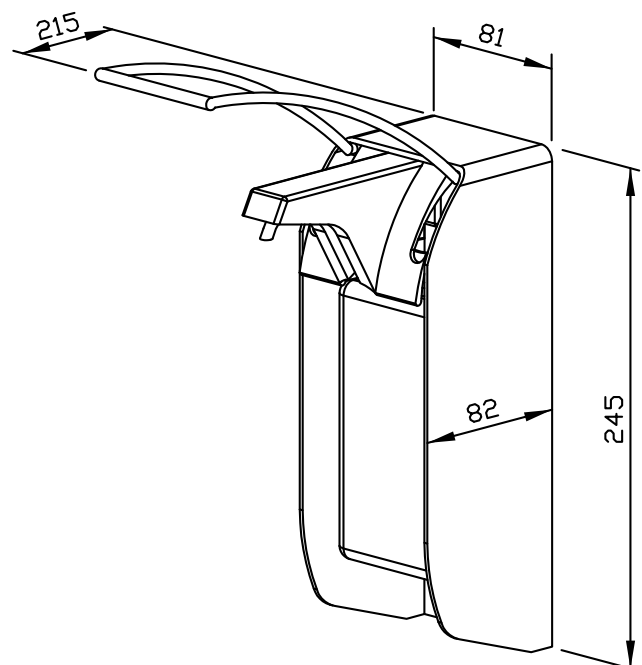


Suggested text for specifications:

Disinfectant dispenser in stainless steel (AISI 304) for surface mounting. Half-open stainless steel housing; visible surfaces satin finished and brushed. Elbow-operated disinfectant pump, can be set to different levels and autoclaved. Designed for standard 500 ml disposable bottles of disinfectant for hands. Accessible for refilling from the front side. Lockable cover plate in stainless steel as an option. Delivery includes fixing material.

Dimensions: 81 x 245 x 215 mm

Article No. WP120



Options	ID No.
Lockable cover plate in stainless steel.	727 132
Drip tray	727 130

Available surface	ID No.
satin finished	727 120

Ernst Wagner GmbH & Co. KG

Ernst-Abbe-Straße 21 · D-72770 Reutlingen · Tel.: +49712151539-0 · Fax: -20
info@wagner-ewar.de · www.wagner-ewar.de

WAGNER
EWAR

DISINFECTANT DISPENSER WP121



93 x 290 x 225 mm

1000 ml bottle disinfectant

- Disinfectant dispenser in robust, germ-reducing and easy-care stainless steel (AISI 304).
- Half-open stainless steel housing; visible surfaces satin finished and brushed.
- Elbow-operated disinfectant pump, can be set to different levels and autoclaved.
- Designed for standard 1000 ml disposable bottles of disinfectant for hands.
- Accessible for refilling from the front side. Lockable cover plate in stainless steel as an option for a surcharge.
- Further accessories for a surcharge: drip tray
- Wear parts can be replaced as modules.
- Mounting: With three screws through holes in the back wall.
- Delivery includes fixing material.
- Weight, including single package: 1.3 kg

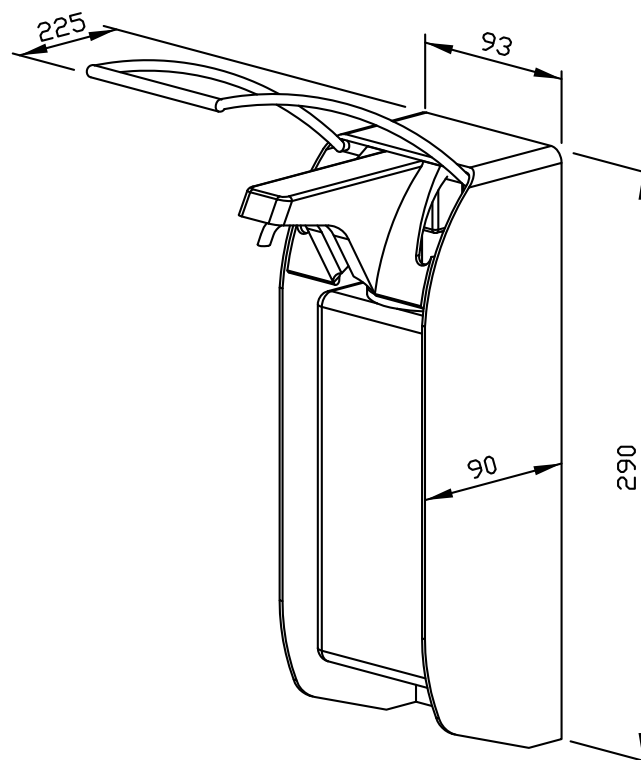


Suggested text for specifications:

Disinfectant dispenser in stainless steel (AISI 304) for surface mounting. Half-open stainless steel housing; visible surfaces satin finished and brushed. Elbow-operated disinfectant pump, can be set to different levels and autoclaved. Designed for standard 1000 ml disposable bottles of disinfectant for hands. Accessible for refilling from the front side. Lockable cover plate in stainless steel as an option. Delivery includes fixing material.

Dimensions: 93 x 290 x 225 mm

Article No. WP121



Options	ID No.
Lockable cover plate in stainless steel.	727 133
Drip tray	727 131

Available surface	ID No.
satin finished	727 121

Ernst Wagner GmbH & Co. KG

Ernst-Abbe-Straße 21 · D-72770 Reutlingen · Tel.: +49712151539-0 · Fax: -20
info@wagner-ewar.de · www.wagner-ewar.de

WAGNER
EWAR

TABLETOP DISINFECTANT DISPENSER WP122-1



68 x 334 x 129 mm
chrome-plated brass

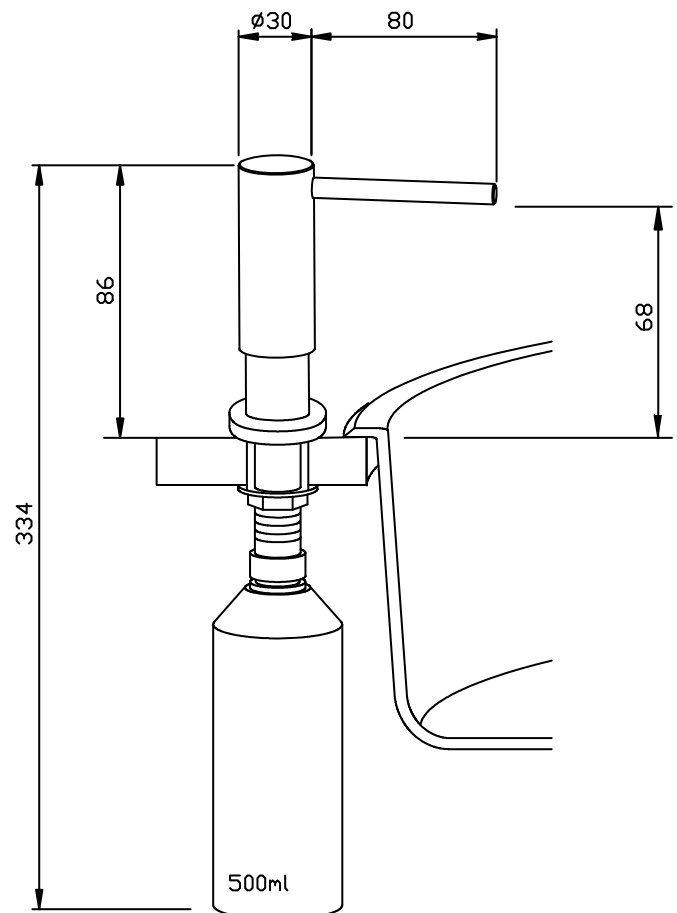
- Tabletop disinfectant dispenser in chrome-plated brass.
- Solid body in brass; visible surfaces high-gloss chrome-plated.
- Design height: 86 mm
Outlet height: 68 mm
Projection: 76 mm
- Non-drip disinfectant pump with 500 ml disinfectant bottle in plastics and pressure valve in brass.
- Also available with 1000 ml containers in plastics.
- 500 ml container in stainless steel as an option for a surcharge.
- Designed for standard disinfectants for hands.
- Refillable from above by unscrewing the top part.
- Wear parts can be replaced as modules.
- Installation dimensions: \varnothing 22-26 mm, surface thickness max. 40 mm.
- Mounting: With one counternut.
- Delivery includes fixing material.
- Weight, including single package: 0.6 kg



Suggested text for specifications:

Tabletop disinfectant dispenser in chrome-plated brass for counter mounting. Solid body in brass; visible surfaces high-gloss chrome-plated. Non-drip disinfectant pump with 500 ml disinfectant bottle in plastics and pressure valve in brass. Designed for standard disinfectants for hands. Refillable from above by unscrewing the top part. Delivery includes fixing material.

Dimensions: (with container) 68 x 334 x 129 mm
Design height: 86 mm
Outlet height: 68 mm
Projection: 76 mm
Article No. WP122-1



Available surface	ID No.
chrome-plated	923 339

Ernst Wagner GmbH & Co. KG

Ernst-Abbe-Straße 21 · D-72770 Reutlingen · Tel.: +49712151539-0 · Fax: -20
info@wagner-ewar.de · www.wagner-ewar.de

WAGNER
EWAR

TABLETOP DISINFECTANT DISPENSER WP122-3



68 x 334 x 129 mm

stainless steel

- Tabletop disinfectant dispenser in robust, germ-reducing and easy-care stainless steel (AISI 316L).
- Solid stainless steel body; visible surfaces satin finished. Further available surfaces: see below.
- Design height: 86 mm
Outlet height: 68 mm
Projection: 76 mm
- Non-drip disinfectant pump with 500 ml disinfectant bottle in plastics and pressure valve in stainless steel.
- Also available with 1000 ml containers in plastics.
- 500 ml container in stainless steel as an option for a surcharge.
- Designed for standard disinfectants for hands.
- Refillable from above by unscrewing the top part.
- Wear parts can be replaced as modules.
- Installation dimensions: \varnothing 22-26 mm, surface thickness max. 40 mm.
- Mounting: With one counternut.
- Delivery includes fixing material.
- Weight, including single package: 0.7 kg



Suggested text for specifications:

Tabletop disinfectant dispenser in stainless steel (AISI 316L) for counter mounting. Solid stainless steel body; visible surfaces satin finished. Non-drip disinfectant pump with 500 ml disinfectant bottle in plastics and pressure valve in stainless steel. Designed for standard disinfectants for hands. Refillable from above by unscrewing the top part. Delivery includes fixing material.

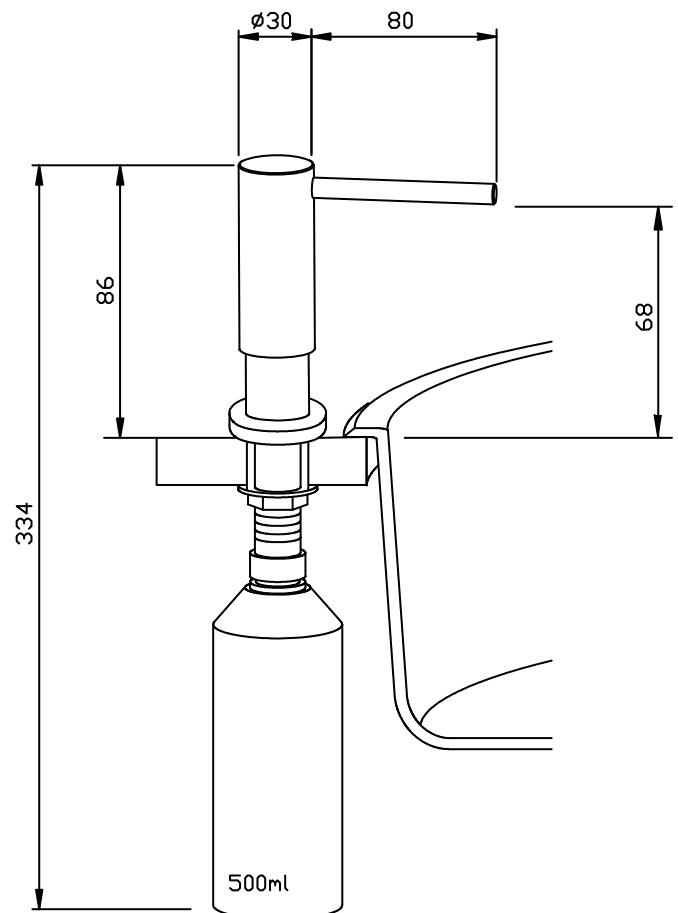
Dimensions: (with container) 68 x 334 x 129 mm

Design height: 86 mm

Outlet height: 68 mm

Projection: 76 mm

Article No. WP122-3



Available surfaces

ID No.

satin finished (standard)

923 340

highly polished

931 340

Ernst Wagner GmbH & Co. KG

Ernst-Abbe-Straße 21 · D-72770 Reutlingen · Tel.: +49712151539-0 · Fax: -20
info@wagner-ewar.de · www.wagner-ewar.de

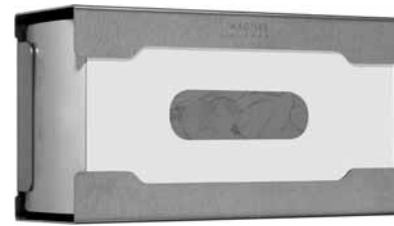
WAGNER
EWAR

GLOVE DISPENSER WP123



250 x 138 x 88 mm
for 1 box disposable gloves

- Glove dispenser in robust, germ-reducing and easy-care stainless steel (AISI 304).
- Half-open stainless steel housing; visible surfaces satin finished and brushed. Further available surfaces: see below.
- Designed for one box of standard disposable gloves with dimensions of
Width x Height x Depth:
min. 120 x 115 x 52 mm and
max. 250 x 133 x 82 mm.
- Accessible for refilling through lateral opening.
- Mounting horizontally or vertically with two screws through key holes and one optional anti-theft hole in the back wall.
- Delivery includes fixing material.
- Weight, including single package: 1.3 kg
- Other dimensions available upon request.

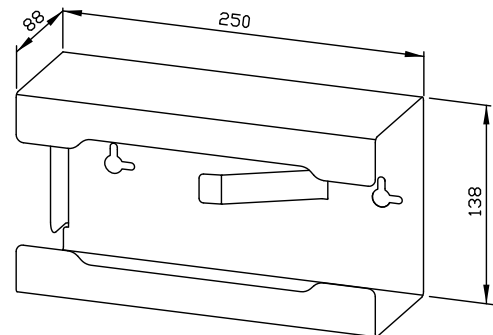


Suggested text for specifications:

Glove dispenser in stainless steel (AISI 304) for surface mounting. Half-open stainless steel housing; visible surfaces satin finished and brushed. Designed for one box of standard disposable gloves. Accessible for refilling through lateral opening. Delivery includes fixing material.

Dimensions: 250 x 138 x 88 mm

Article No. WP123



Available surfaces	ID No.
satin finished (standard)	727 545
highly polished	731 545
(coloured) plastic powder-coating	728 545

Ernst Wagner GmbH & Co. KG

Ernst-Abbe-Straße 21 · D-72770 Reutlingen · Tel.: +49712151539-0 · Fax: -20
info@wagner-ewar.de · www.wagner-ewar.de

WAGNER
EWAR

WASTE BIN WP126



298 x 448 x 170 mm
Capacity approx. 23 l

- Waste bin in robust, germ-reducing and easy-care stainless steel (AISI 304).
- All-stainless steel housing; visible surfaces satin finished and brushed.
Further available surfaces: see below.
- Equipped with removable fabric stand bag in polypropylene, washable. Capacity approx. 23 l.
- Fabric stand bag replaces garbage bag.
- Mounting: With two screws through key holes and one optional anti-theft hole in the back wall.
- Delivery includes fixing material.
- Weight, including single package: 3.6 kg

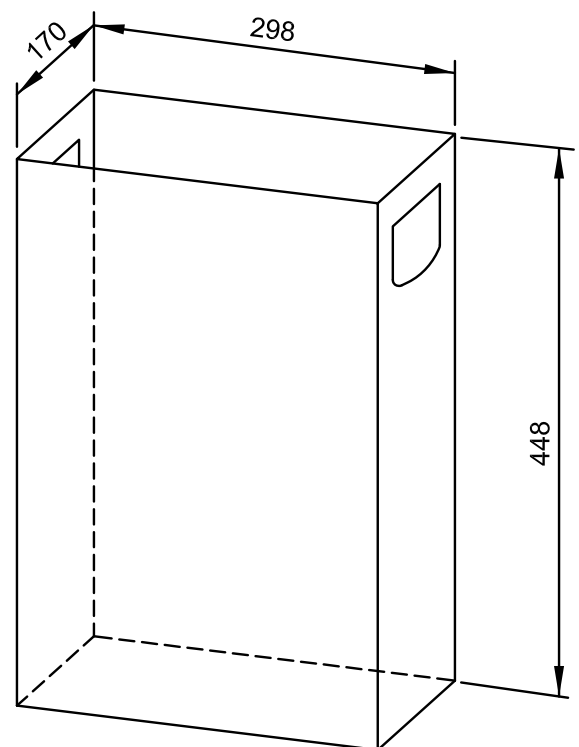


Suggested text for specifications:

Waste bin in stainless steel (AISI 304) for surface mounting. All-stainless steel housing; visible surfaces satin finished and brushed. Equipped with removable fabric stand bag in polypropylene, washable. Capacity approx. 23 l. Delivery includes fixing material.

Dimensions: 298 x 448 x 170 mm

Article No. WP126



Available surfaces	ID No.
satin finished (standard)	727 733
highly polished	731 733
(coloured) plastic powder-coating	728 080

Ernst Wagner GmbH & Co. KG

Ernst-Abbe-Straße 21 · D-72770 Reutlingen · Tel.: +49712151539-0 · Fax: -20
info@wagner-ewar.de · www.wagner-ewar.de

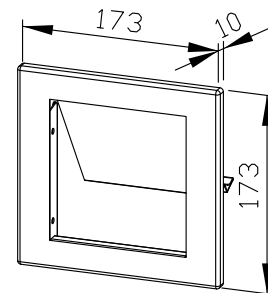
WAGNER
EWAR

DISPOSAL FLAP WITH MOUNTING FRAME WP130



173 x 173 x 10 mm

- Self-closing, flame-retardant disposal flap with mounting frame in robust, germ-reducing and easy-care stainless steel (AISI 304).
- All-stainless steel construction; visible surfaces satin finished and brushed.
Further available surfaces: see below.
- Mounting: With four screws on the inside, sideways.
- Installation dimensions: 150 x 155 mm
- Delivery includes fixing material.
- Weight, including single package: 0.6 kg



Suggested text for specifications:

Self-closing, flame-retardant disposal flap with mounting frame in stainless steel (AISI 304) for under-counter mounting at the front side. All-stainless steel construction; visible surfaces satin finished and brushed. Delivery includes fixing material.

Dimensions: 173 x 173 x 32 mm

Article No. WP130

Available surfaces	ID No.
satin finished (standard)	727 658
highly polished	731 658
(coloured) plastic powder-coating	728 658

Ernst Wagner GmbH & Co. KG

Ernst-Abbe-Straße 21 · D-72770 Reutlingen · Tel.: +49712151539-0 · Fax: -20
info@wagner-ewar.de · www.wagner-ewar.de

WAGNER
EWAR

WASTE BIN WP131



448 x 598 x 120 mm

Capacity approx. 16 l

- Waste bin in robust, germ-reducing and easy-care stainless steel (AISI 304).
- All-stainless steel housing; all corners fully welded, visible surfaces satin finished and brushed. Further available surfaces: see below.
- Equipped with removable mesh basket. Capacity approx. 16 l. Accessible through lockable door with self-closing, flame-retardant disposal flap.
- Keyed alike cylinder lock in corrosion-resistant zinc die-casting.
- Wear parts can be replaced as modules.
- Mounting: With four screws through key holes and one optional anti-theft hole in the back wall.
- Delivery includes fixing material.
- Weight, including single package: 7.9 kg

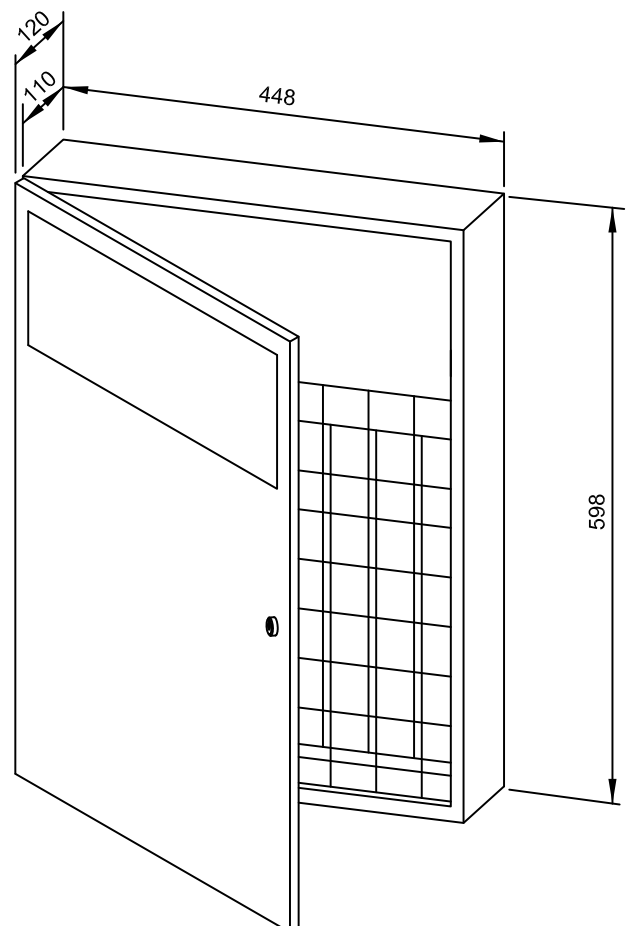


Suggested text for specifications:

Waste bin in stainless steel (AISI 304) for surface mounting. All-stainless steel housing; all corners fully welded, visible surfaces satin finished and brushed. Equipped with removable mesh basket. Capacity approx. 16 l. Accessible through lockable door with self-closing, flame-retardant disposal flap. Keyed alike cylinder lock in corrosion-resistant zinc die-casting. Delivery includes fixing material.

Dimensions: 448 x 598 x 120 mm

Article No. WP131



Available surfaces	ID No.
satin finished (standard)	727 566
highly polished	731 566
(coloured) plastic powder-coating	728 120

Ernst Wagner GmbH & Co. KG

Ernst-Abbe-Straße 21 · D-72770 Reutlingen · Tel.: +49712151539-0 · Fax: -20
info@wagner-ewar.de · www.wagner-ewar.de

WAGNER
EWAR

WASTE BIN WP133



298 x 598 x 140 mm

Capacity approx. 12 l

- Waste bin in robust, germ-reducing and easy-care stainless steel (AISI 304).
- All-stainless steel housing; all corners fully welded, visible surfaces satin finished and brushed. Further available surfaces: see below.
- Equipped with removable mesh basket. Capacity approx. 12 l. Accessible through lockable door with self-closing, flame-retardant disposal flap.
- Also suitable for use as a hygiene waste bin with the optional plastic hygiene bin WP33.
- Keyed alike cylinder lock in corrosion-resistant zinc die-casting.
- Wear parts can be replaced as modules.
- Mounting: With four screws through key holes and one optional anti-theft hole in the back wall.
- Delivery includes fixing material.
- Weight, including single package: 5.9 kg

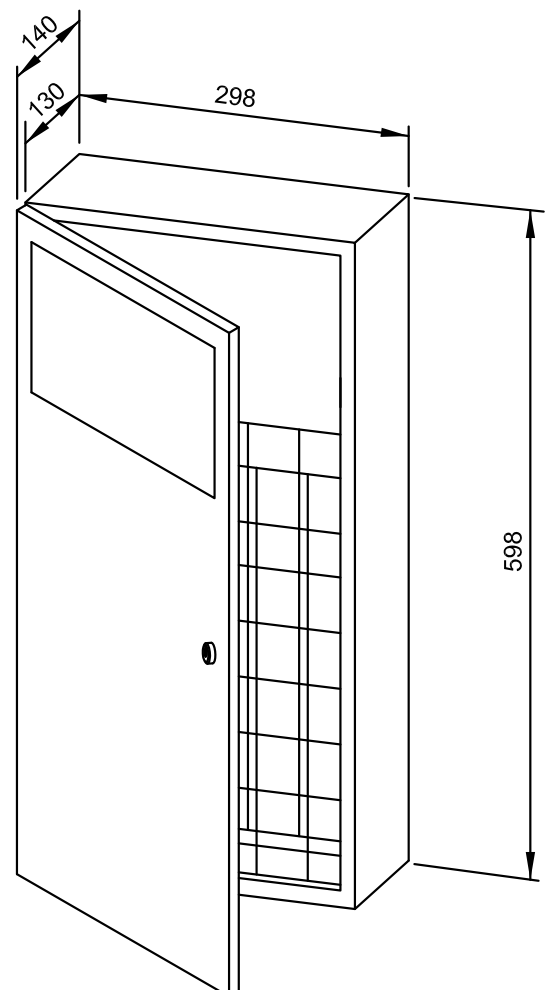


Suggested text for specifications:

Waste bin in stainless steel (AISI 304) for surface mounting. All-stainless steel housing; all corners fully welded, visible surfaces satin finished and brushed. Equipped with removable mesh basket. Capacity approx. 12 l. Accessible through lockable door with self-closing, flame-retardant disposal flap. Keyed alike cylinder lock in corrosion-resistant zinc die-casting. Delivery includes fixing material.

Dimensions: 298 x 598 x 140 mm

Article No. WP133



Options	ID No.
Plastic hygiene bin WP33	923 530

Available surfaces	ID No.
satin finished (standard)	727 562
highly polished	731 562
(coloured) plastic powder-coating	728 121

Ernst Wagner GmbH & Co. KG

Ernst-Abbe-Straße 21 · D-72770 Reutlingen · Tel.: +49712151539-0 · Fax: -20
info@wagner-ewar.de · www.wagner-ewar.de

WAGNER
EWAR

WASTE BIN WP134



298 x 598 x 120 mm

Capacity approx. 11 l

- Waste bin in robust, germ-reducing and easy-care stainless steel (AISI 304).
- All-stainless steel housing; all corners fully welded, visible surfaces satin finished and brushed. Further available surfaces: see below.
- Equipped with removable mesh basket. Capacity approx. 11 l. Accessible through lockable door with self-closing, flame-retardant disposal flap.
- Also suitable for use as a hygiene waste bin with the optional plastic hygiene bin WP34.
- Keyed alike cylinder lock in corrosion-resistant zinc die-casting.
- Wear parts can be replaced as modules.
- Installation dimensions: 300 x 600 x 110 mm
- Mounting: With eight screws in wall opening through fixing holes in the side walls.
- Delivery includes fixing material.
- Weight, including single package: 5.6 kg

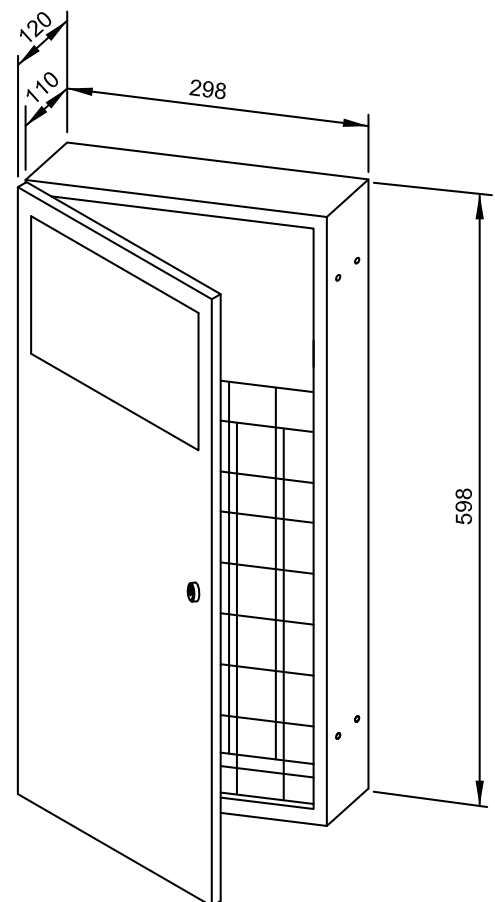


Suggested text for specifications:

Waste bin in stainless steel (AISI 304) for flush mounting. All-stainless steel housing; all corners fully welded, visible surfaces satin finished and brushed. Equipped with removable mesh basket. Capacity approx. 11 l. Accessible through lockable door with self-closing, flame-retardant disposal flap. Keyed alike cylinder lock in corrosion-resistant zinc die-casting. Delivery includes fixing material.

Dimensions: 298 x 598 x 120 mm

Article No. WP134



Options	ID No.
Plastic hygiene bin WP34	923 543

Available surfaces	ID No.
satin finished (standard)	727 548
highly polished	731 548
(coloured) plastic powder-coating	728 123

Ernst Wagner GmbH & Co. KG

Ernst-Abbe-Straße 21 · D-72770 Reutlingen · Tel.: +49712151539-0 · Fax: -20
info@wagner-ewar.de · www.wagner-ewar.de

WAGNER
EWAR

DISPOSAL FLAP WITH MOUNTING FRAME WP135



298 x 148 x 10 mm

- Self-closing, flame-retardant disposal flap with mounting frame in robust, germ-reducing and easy-care stainless steel (AISI 304).
- All-stainless steel construction; visible surfaces satin finished and brushed.
Further available surfaces: see below.
- Mounting: With four screws on the inside, sideways.
- Installation dimensions: 254 x 130 mm
- Delivery includes fixing material.
- Weight, including single package: 1.0 kg

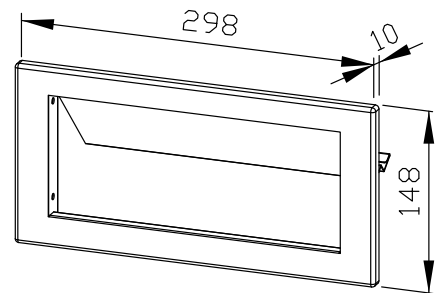


Suggested text for specifications:

Self-closing, flame-retardant disposal flap with mounting frame in stainless steel (AISI 304) for under-counter mounting at the front side. All-stainless steel construction; visible surfaces satin finished and brushed. Delivery includes fixing material.

Dimensions: 298 x 148 x 32 mm

Article No. WP135



Available surfaces	ID No.
satin finished (standard)	764 220
highly polished	741 220
(coloured) plastic powder-coating	728 221

Ernst Wagner GmbH & Co. KG

Ernst-Abbe-Straße 21 · D-72770 Reutlingen · Tel.: +49712151539-0 · Fax: -20
info@wagner-ewar.de · www.wagner-ewar.de

WAGNER
EWAR

DISPOSAL FLAP WITH MOUNTING FRAME WP136



326 x 173 x 10 mm

- Self-closing, flame-retardant disposal flap with mounting frame in robust, germ-reducing and easy-care stainless steel (AISI 304).
- All-stainless steel construction; visible surfaces satin finished and brushed.
Further available surfaces: see below.
- Mounting: With four screws on the inside, sideways.
- Installation dimensions: 282 x 155 mm
- Delivery includes fixing material.
- Weight, including single package: 1.1 kg

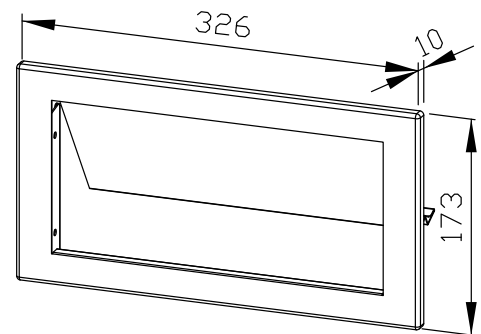


Suggested text for specifications:

Self-closing, flame-retardant disposal flap with mounting frame in stainless steel (AISI 304) for under-counter mounting at the front side. All-stainless steel construction; visible surfaces satin finished and brushed. Delivery includes fixing material.

Dimensions: 326 x 173 x 32 mm

Article No. WP136



Available surfaces	ID No.
satin finished (standard)	764 657
highly polished	731 657
(coloured) plastic powder-coating	728 657

Ernst Wagner GmbH & Co. KG

Ernst-Abbe-Straße 21 · D-72770 Reutlingen · Tel.: +49712151539-0 · Fax: -20
info@wagner-ewar.de · www.wagner-ewar.de

WAGNER
EWAR

298 x 448 x 120 mm

Capacity approx. 6 l

- Hygiene waste bin with storage container in robust, germ-reducing and easy-care stainless steel (AISI 304).
- All-stainless steel housing; all corners fully welded, visible surfaces satin finished and brushed. Further available surfaces: see below.
- Equipped with removable hygiene bin. Capacity approx. 6 l. Accessible through lockable door with self-closing, flame-retardant disposal flap.
- Storage container integrated at the top for standard paper sanitary bags with dimensions: approx. 120 x 290 mm.
- Keyed alike cylinder lock in corrosion-resistant zinc die-casting.
- Wear parts can be replaced as modules.
- Mounting: With four screws through key holes and one optional anti-theft hole in the back wall.
- Delivery includes fixing material.
- Weight, including single package: 5.0 kg

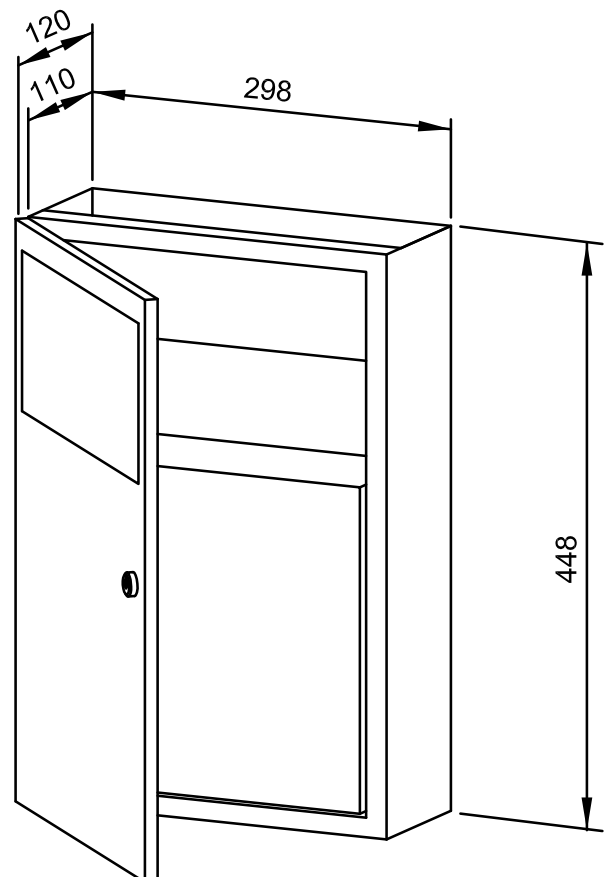


Suggested text for specifications:

Hygiene waste bin with integrated storage container at the top for standard paper sanitary bags in stainless steel (AISI 304) for surface mounting. All-stainless steel housing; all corners fully welded, visible surfaces satin finished and brushed. Equipped with removable hygiene bin. Capacity approx. 6 l. Accessible through lockable door with self-closing, flame-retardant disposal flap. Keyed alike cylinder lock in corrosion-resistant zinc die-casting. Delivery includes fixing material.

Dimensions: 298 x 448 x 120 mm

Article No. WP137



Available surfaces

ID No.

satin finished (standard)

728 100

highly polished

731 100

(coloured) plastic powder-coating

728 115

298 x 598 x 120 mm

Capacity approx. 6 l

- Hygiene waste bin with storage container in robust, germ-reducing and easy-care stainless steel (AISI 304).
- All-stainless steel housing; all corners fully welded, visible surfaces satin finished and brushed. Further available surfaces: see below.
- Equipped with removable hygiene bin. Capacity approx. 6 l. Accessible through lockable door with self-closing, flame-retardant disposal flap.
- Storage container integrated at the top for standard paper sanitary bags with dimensions: approx. 120 x 290 mm.
- Keyed alike cylinder lock in corrosion-resistant zinc die-casting.
- Wear parts can be replaced as modules.
- Installation dimensions: 300 x 600 x 110 mm
- Mounting: With four screws in wall opening through fixing holes in the side walls.
- Delivery includes fixing material.
- Weight, including single package: 5.9 kg

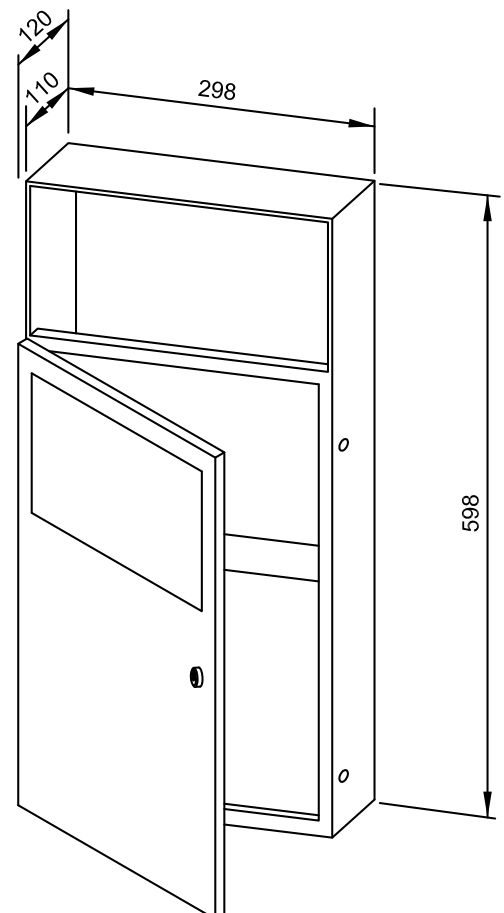


Suggested text for specifications:

Hygiene waste bin with integrated storage container at the top for standard paper sanitary bags in stainless steel (AISI 304) for flush mounting. All-stainless steel housing; all corners fully welded, visible surfaces satin finished and brushed. Equipped with removable hygiene bin. Capacity approx. 6 l. Accessible through lockable door with self-closing, flame-retardant disposal flap. Keyed alike cylinder lock in corrosion-resistant zinc die-casting. Delivery includes fixing material.

Dimensions: 298 x 598 x 120 mm

Article No. WP138



Available surfaces	ID No.
satin finished (standard)	728 150
highly polished	731 150
(coloured) plastic powder-coating	728 116

WASTE BIN WP139



298 x 448 x 310 mm
Capacity approx. 18 l

- Waste bin in robust, germ-reducing and easy-care stainless steel (AISI 304).
- All-stainless steel housing; all corners fully welded, visible surfaces satin finished and brushed. Further available surfaces: see below.
- Equipped with removable mesh basket. Capacity approx. 18 l. Accessible through lockable door with self-closing, flame-retardant disposal flap.
- Keyed alike cylinder lock in corrosion-resistant zinc die-casting.
- Wear parts can be replaced as modules.
- Mounting: With screws off-floor below vanity unit, or as an option with console for a surcharge.
- Delivery includes fixing material.
- Weight, including single package: 7.1 kg

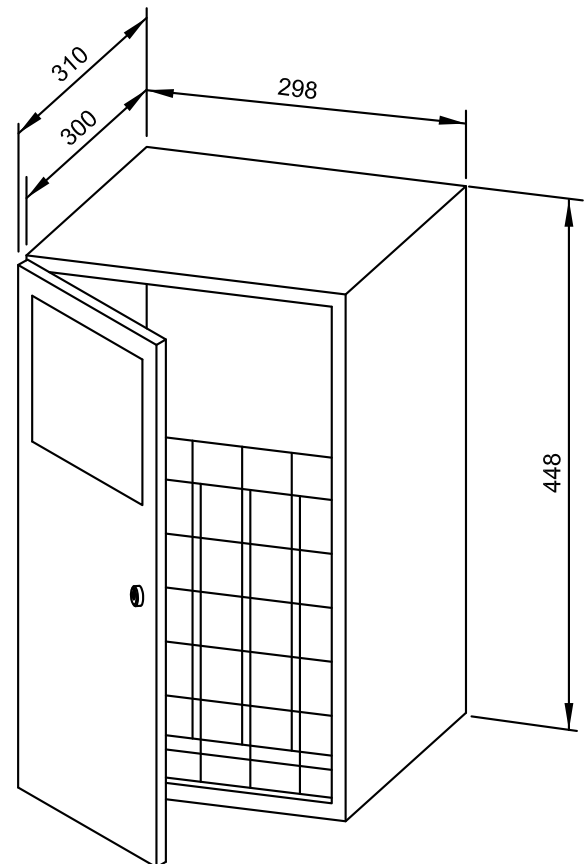


Suggested text for specifications:

Waste bin in stainless steel (AISI 304) for under-counter mounting. All-stainless steel housing; all corners fully welded, visible surfaces satin finished and brushed. Equipped with removable mesh basket. Capacity approx. 18 l. Accessible through lockable door with self-closing, flame-retardant disposal flap. Keyed alike cylinder lock in corrosion-resistant zinc die-casting. Delivery includes fixing material.

Dimensions: 298 x 448 x 310 mm

Article No. WP139



Options	ID No.
Console (please specify dimensions)	727 652
Available surfaces	ID No.
satin finished (standard)	727 405
highly polished	731 405
(coloured) plastic powder-coating	728 129

Ernst Wagner GmbH & Co. KG

Ernst-Abbe-Straße 21 · D-72770 Reutlingen · Tel.: +49712151539-0 · Fax: -20
info@wagner-ewar.de · www.wagner-ewar.de

WAGNER
EWAR

HYGIENE WASTE BIN WITH PAPER SANITARY BAG DISPENSER WP140



282 x 392 x 203 mm

Capacity approx. 12 l

- Hygiene waste bin with paper sanitary bag dispenser in robust, germ-reducing and easy-care stainless steel (AISI 304).
- All-stainless steel housing; visible surfaces satin finished and brushed. Further available surfaces: see below.
- Equipped with removable hygiene bin. Capacity approx. 12 l.
- On the backside integrated paper sanitary bag dispenser. Designed for ca. 100 standard paper sanitary bags.
- Accessible through hinged lid.
- Mounting: With four screws through key holes and one optional anti-theft hole in the back wall.
- Delivery includes fixing material.
- Weight, including single package: 6.7 kg

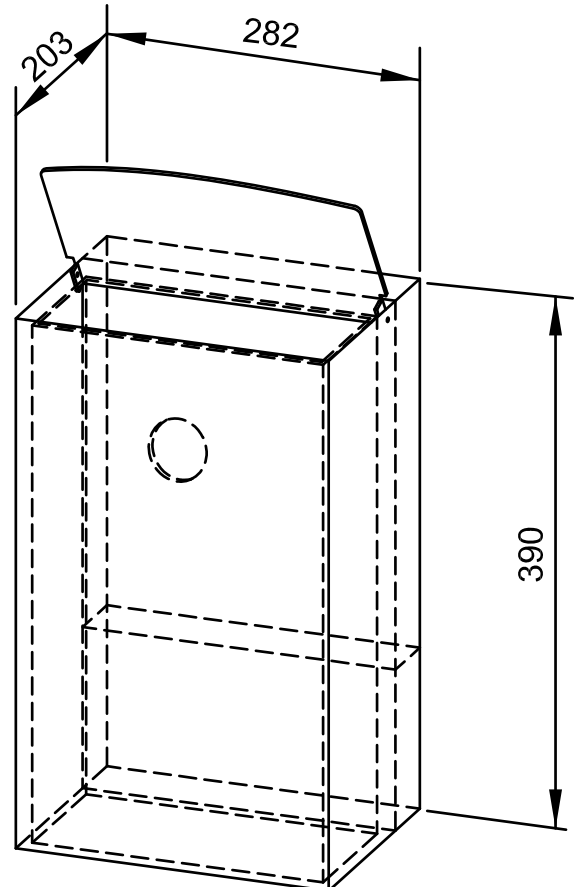


Suggested text for specifications:

Hygiene waste bin with paper sanitary bag dispenser in stainless steel (AISI 304) for surface mounting. All-stainless steel housing; visible surfaces satin finished and brushed. Equipped with removable hygiene bin. Capacity approx. 12 l. On the backside integrated paper sanitary bag dispenser. Accessible through hinged lid. Delivery includes fixing material.

Dimensions: 282 x 392 x 203 mm

Article No. WP140



Available surfaces	ID No.
satin finished (standard)	727 087
highly polished	731 087
(coloured) plastic powder-coating	728 087

Ernst Wagner GmbH & Co. KG

Ernst-Abbe-Straße 21 · D-72770 Reutlingen · Tel.: +49712151539-0 · Fax: -20
info@wagner-ewar.de · www.wagner-ewar.de

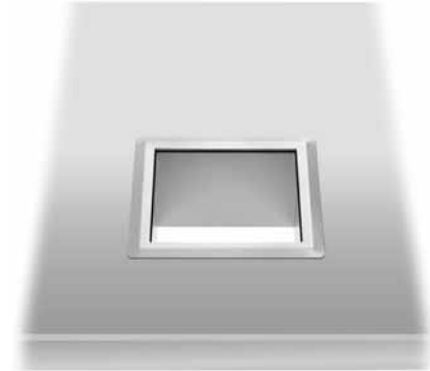
WAGNER
EWAR

WASTE DISPOSAL FRAME WP145



170 x 100 x 170 mm

- Waste disposal frame in robust, germ-reducing and easy-care stainless steel (AISI 304).
- All-stainless steel construction; visible surfaces satin finished and brushed.
Further available surfaces: see below.
- Mounting: Insert and glue into cutout.
- Installation dimensions: 150 x 130 mm
- Weight, including single package: 0.7 kg

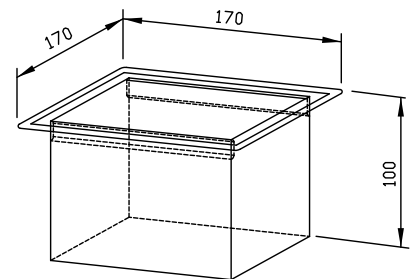


Suggested text for specifications:

Waste disposal frame in stainless steel (AISI 304) for counter mounting. All-stainless steel construction; visible surfaces satin finished and brushed.

Dimensions: 170 x 100 x 170 mm

Article No. WP145



Available surfaces	ID No.
satin finished (standard)	727 145
highly polished	731 145
(coloured) plastic powder-coating	729 145

Ernst Wagner GmbH & Co. KG

Ernst-Abbe-Straße 21 · D-72770 Reutlingen · Tel.: +49712151539-0 · Fax: -20
info@wagner-ewar.de · www.wagner-ewar.de

WAGNER
EWAR

148 x 298 x 22 mm

- Waste disposal frame in robust, germ-reducing and easy-care stainless steel (AISI 304).
- All-stainless steel construction; visible surfaces satin finished and brushed.
Further available surfaces: see below.
- Mounting: Insert and glue into cutout.
- Installation dimensions: 258 x 110 mm
- Weight, including single package: 0.4 kg

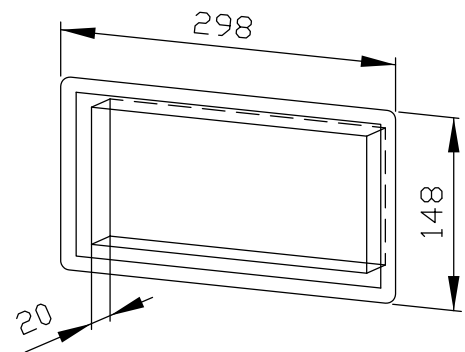


Suggested text for specifications:

Waste disposal frame in stainless steel (AISI 304) for under-counter mounting at the front side. All-stainless steel construction; visible surfaces satin finished and brushed.

Dimensions: 148 x 298 x 22 mm

Article No. WP146-1



Available surfaces	ID No.
satin finished (standard)	727 146
highly polished	731 146
(coloured) plastic powder-coating	729 146

WASTE BIN WP147



298 x 898 x 220 mm

Capacity approx. 32 l

- Waste bin in robust, germ-reducing and easy-care stainless steel (AISI 304).
- All-stainless steel housing; all corners fully welded, visible surfaces satin finished and brushed. Further available surfaces: see below.
- Equipped with removable mesh basket. Capacity approx. 32 l. Accessible through front flap with fall protection.
- Installation dimensions: 300 x 900 x 110 mm
- Mounting: With four screws in wall opening through fixing holes in the side walls.
- Delivery includes fixing material.
- Weight, including single package: 11.0 kg

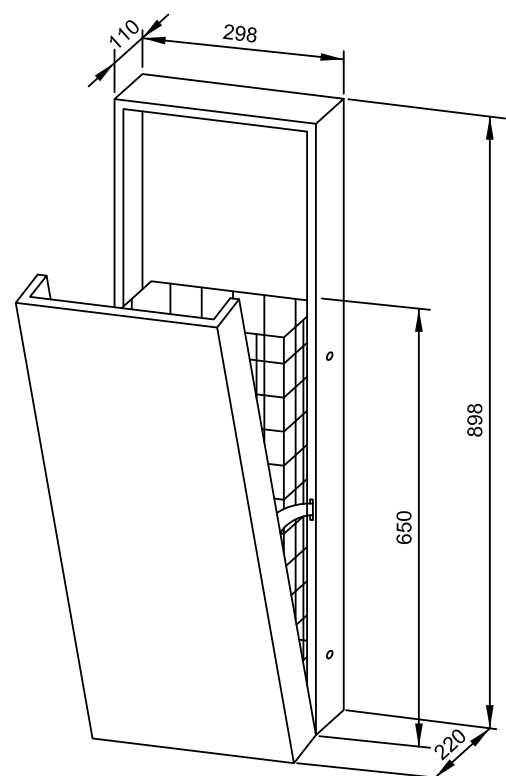


Suggested text for specifications:

Waste bin in stainless steel (AISI 304) for flush mounting. All-stainless steel housing; all corners fully welded, visible surfaces satin finished and brushed. Equipped with removable mesh basket. Capacity approx. 32 l. Accessible through front flap with fall protection. Delivery includes fixing material.

Dimensions: 298 x 898 x 220 mm

Article No. WP147



Available surfaces	ID No.
satin finished (standard)	727 147
highly polished	731 147
(coloured) plastic powder-coating	728 147

Ernst Wagner GmbH & Co. KG

Ernst-Abbe-Straße 21 · D-72770 Reutlingen · Tel.: +49712151539-0 · Fax: -20
info@wagner-ewar.de · www.wagner-ewar.de

WAGNER
EWAR

140 x 110 x 90 mm
for 1 toilet roll

- Toilet roll holder in robust, germ-reducing and easy-care stainless steel (AISI 304).
- All-stainless steel construction, visible surfaces satin finished and brushed.
Further available surfaces: see below.
- Designed for one standard toilet roll with dimensions:
Outer diameter max. 125 mm
Width max. 100 mm
Core diameter min. 38 mm
- Accessible for refilling by unlocking the center axis.
- Keyed alike cylinder lock in corrosion-resistant zinc die-casting.
- Wear parts can be replaced as modules.
- Mounting: With two screws through fixing holes in the back wall.
- Delivery includes fixing material.
- Weight, including single package: 0.7 kg

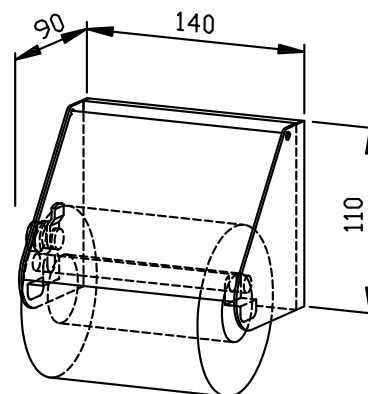


Suggested text for specifications:

Toilet roll holder in stainless steel (AISI 304) for surface mounting. All-stainless steel construction, visible surfaces satin finished and brushed. Designed for one standard toilet roll. Accessible for refilling by unlocking the center axis. Keyed alike cylinder lock in corrosion-resistant zinc die-casting. Delivery includes fixing material.

Dimensions: 140 x 110 x 90 mm

Article No. WP148



Available surfaces	ID No.
satin finished (standard)	764 190
highly polished	731 190
(coloured) plastic powder-coating	728 190

240 x 110 x 90 mm
for 2 toilet rolls

- Double toilet roll holder in robust, germ-reducing and easy-care stainless steel (AISI 304).
- All-stainless steel construction, visible surfaces satin finished and brushed.
Further available surfaces: see below.
- Designed for two standard toilet rolls with dimensions:
Outer diameter max. 125 mm
Width max. 100 mm
Core diameter min. 38 mm
- Accessible for refilling by unlocking the center axis.
- Keyed alike cylinder lock in corrosion-resistant zinc die-casting.
- Wear parts can be replaced as modules.
- Mounting: With two screws through fixing holes in the back wall.
- Delivery includes fixing material.
- Weight, including single package: 0.9 kg

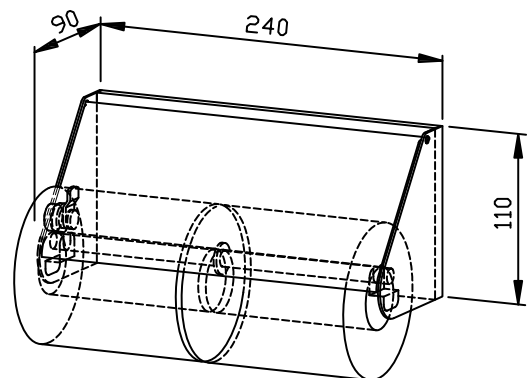


Suggested text for specifications:

Double toilet roll holder in stainless steel (AISI 304) for surface mounting. All-stainless steel construction, visible surfaces satin finished and brushed. Designed for two standard toilet rolls. Accessible for refilling by unlocking the center axis. Keyed alike cylinder lock in corrosion-resistant zinc die-casting. Delivery includes fixing material.

Dimensions: 240 x 110 x 90 mm

Article No. WP149



Available surfaces	ID No.
satin finished (standard)	764 210
highly polished	732 210
(coloured) plastic powder-coating	730 210

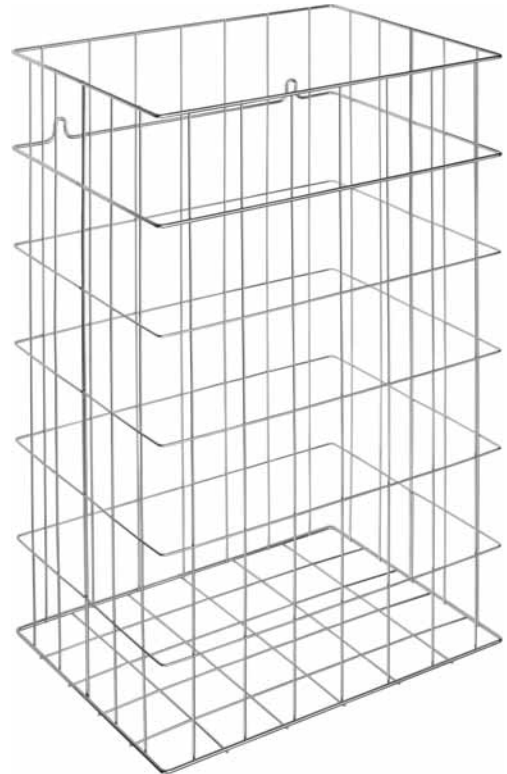
WASTE BASKET CHROME-PLATED WP150



400 x 600 x 300 mm

Capacity approx. 72 l

- Waste basket in chrome-plated steel wire.
- 2.5 mm and 4 mm thick lattice work. Fastening eyes in second row for invisible wall mounting.
- Capacity approx. 72 l.
- Mounting: With two screws.
- Delivery includes fixing material.
- Weight, including single package: 1.3 kg

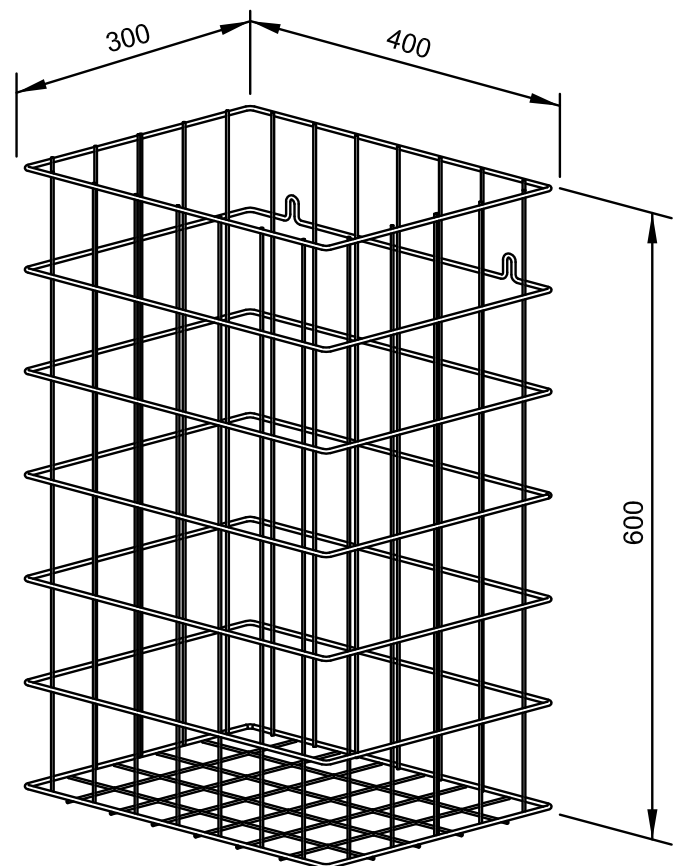


Suggested text for specifications:

Waste basket in chrome-plated steel wire for surface mounting or floor installation. 2.5 mm and 4 mm thick lattice work. Fastening eyes in second row for invisible wall mounting. Capacity approx. 72 l. Delivery includes fixing material.

Dimensions: 400 x 600 x 300 mm

Article No. WP150



Available surface	ID No.
chrome-plated	922 117

Ernst Wagner GmbH & Co. KG

Ernst-Abbe-Straße 21 · D-72770 Reutlingen · Tel.: +49712151539-0 · Fax: -20
info@wagner-ewar.de · www.wagner-ewar.de

WAGNER
— EWAR

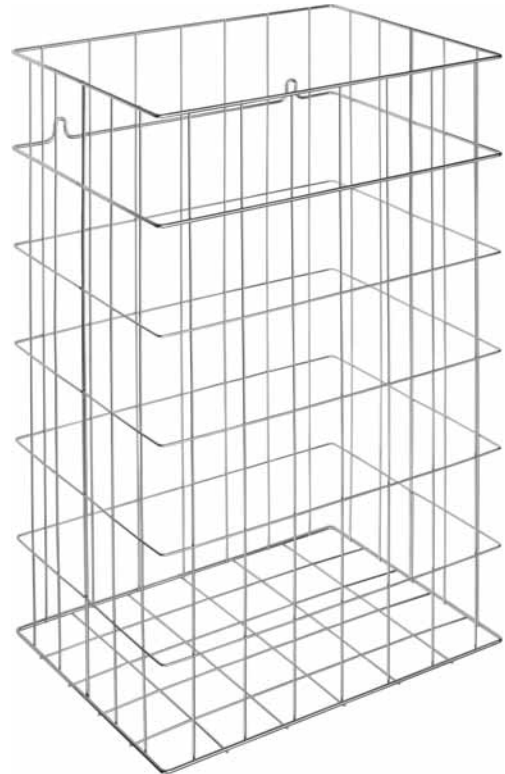
WASTE BASKET STAINLESS STEEL WP150-1



400 x 600 x 300 mm

Capacity approx. 72 l

- Waste basket in robust, germ-reducing and easy-care stainless steel wire (AISI 304).
- 2.5 mm and 4 mm thick lattice work. Fastening eyes in second row for invisible wall mounting.
- Capacity approx. 72 l.
- Mounting: With two screws.
- Delivery includes fixing material.
- Weight, including single package: 1.3 kg

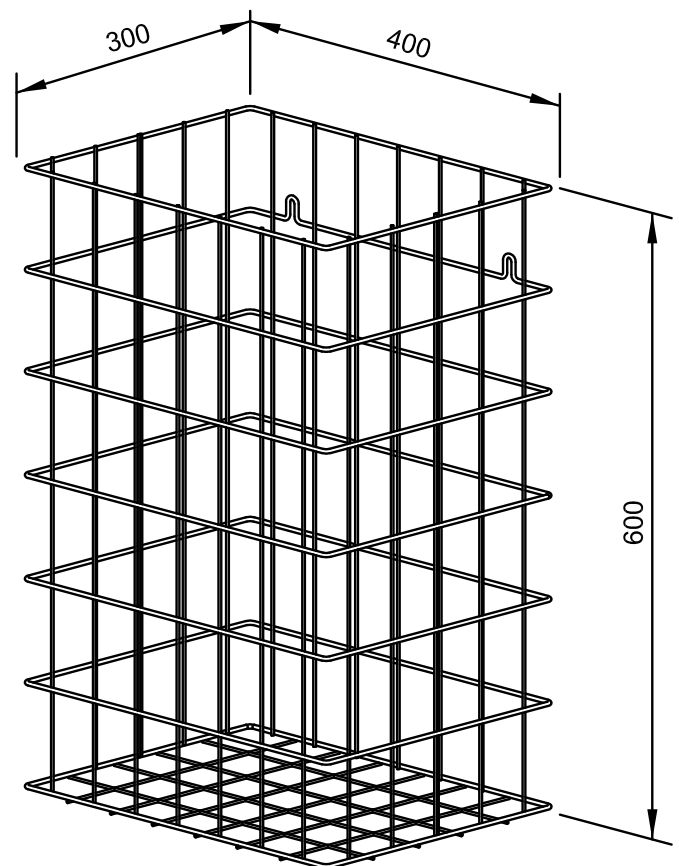


Suggested text for specifications:

Waste basket in stainless steel (AISI 304) for surface mounting or floor installation. 2.5 mm and 4 mm thick lattice work. Fastening eyes in second row for invisible wall mounting. Capacity approx. 72 l. Delivery includes fixing material.

Dimensions: 400 x 600 x 300 mm

Article No. WP150-1



Available surface	ID No.
Stainless steel satin finished	922 118

Ernst Wagner GmbH & Co. KG

Ernst-Abbe-Straße 21 · D-72770 Reutlingen · Tel.: +49712151539-0 · Fax: -20
info@wagner-ewar.de · www.wagner-ewar.de

WAGNER
EWAR

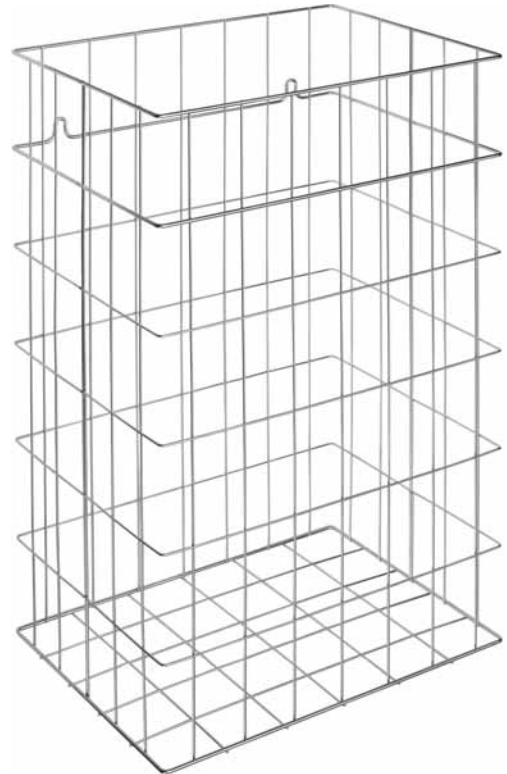
WASTE BASKET PLASTIC COATED WP150-2



400 x 600 x 300 mm

Capacity approx. 72 l

- Waste basket in grey, plastic coated steel wire.
- 2.5 mm and 4 mm thick lattice work. Fastening eyes in second row for invisible wall mounting.
- Capacity approx. 72 l.
- Mounting: With two screws.
- Delivery includes fixing material.
- Weight, including single package: 1.4 kg

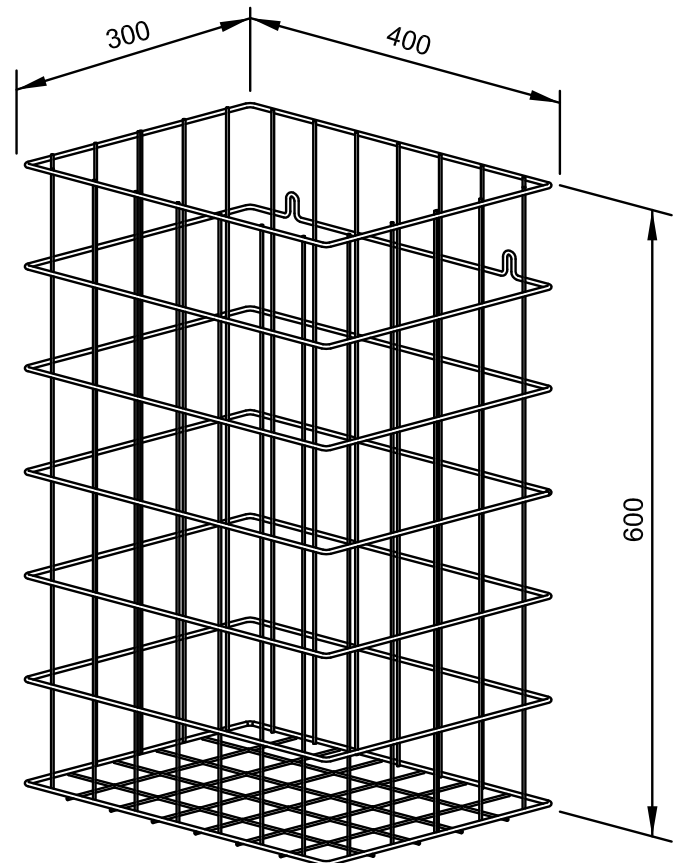


Suggested text for specifications:

Waste basket in grey, plastic coated steel wire for surface mounting or floor installation. 2.5 mm and 4 mm thick lattice work. Fastening eyes in second row for invisible wall mounting. Capacity approx. 72 l. Delivery includes fixing material.

Dimensions: 400 x 600 x 300 mm

Article No. WP150-2



Available surface	ID No.
plastic coated, grey	922 116

Ernst Wagner GmbH & Co. KG

Ernst-Abbe-Straße 21 · D-72770 Reutlingen · Tel.: +49712151539-0 · Fax: -20
info@wagner-ewar.de · www.wagner-ewar.de

WAGNER
— EWAR

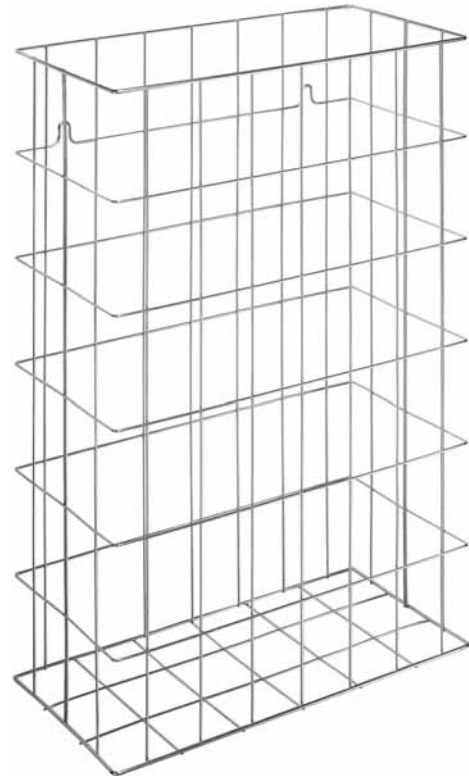
WASTE BASKET CHROME-PLATED WP151



400 x 600 x 200 mm

Capacity approx. 48 l

- Waste basket in chrome-plated steel wire.
- 2.5 mm and 4 mm thick lattice work. Fastening eyes in second row for invisible wall mounting.
- Capacity approx. 48 l.
- Mounting: With two screws.
- Delivery includes fixing material.
- Weight, including single package: 1.0 kg

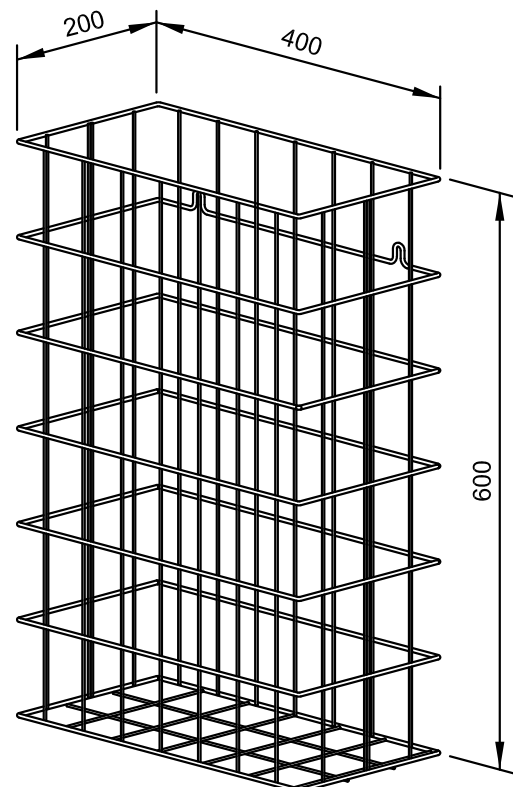


Suggested text for specifications:

Waste basket in chrome-plated steel wire for surface mounting or floor installation. 2.5 mm and 4 mm thick lattice work. Fastening eyes in second row for invisible wall mounting. Capacity approx. 48 l. Delivery includes fixing material.

Dimensions: 400 x 600 x 200 mm

Article No. WP151



Available surface	ID No.
chrome-plated	922 932

Ernst Wagner GmbH & Co. KG

Ernst-Abbe-Straße 21 · D-72770 Reutlingen · Tel.: +49712151539-0 · Fax: -20
info@wagner-ewar.de · www.wagner-ewar.de

WAGNER
— EWAR

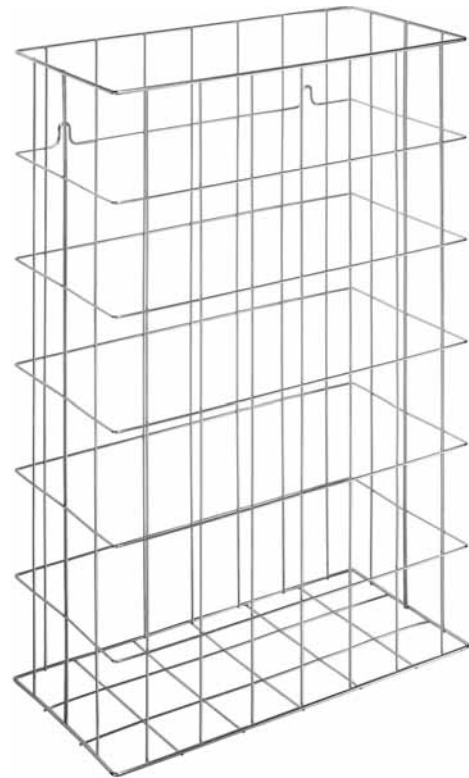
WASTE BASKET STAINLESS STEEL WP151-1



400 x 600 x 200 mm

Capacity approx. 48 l

- Waste basket in robust, germ-reducing and easy-care stainless steel wire (AISI 304).
- 2.5 mm and 4 mm thick lattice work. Fastening eyes in second row for invisible wall mounting.
- Capacity approx. 48 l.
- Mounting: With two screws.
- Delivery includes fixing material.
- Weight, including single package: 1.0 kg

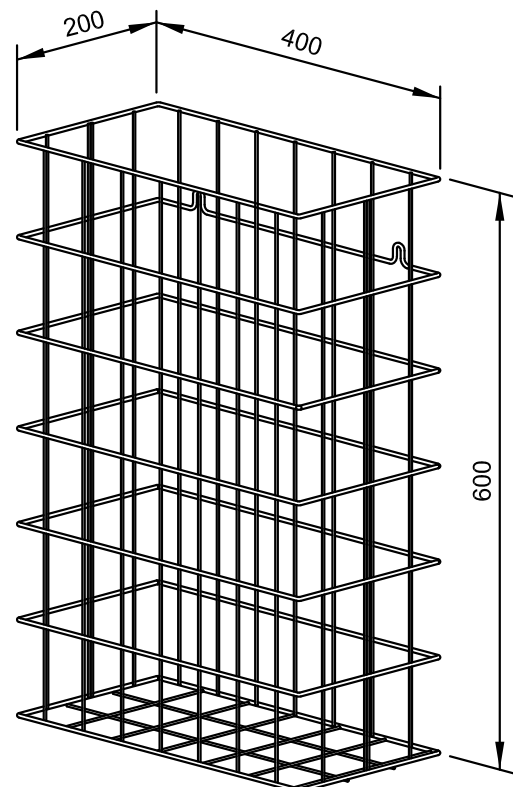


Suggested text for specifications:

Waste basket in stainless steel wire (AISI 304) for surface mounting or floor installation. 2.5 mm and 4 mm thick lattice work. Fastening eyes in second row for invisible wall mounting. Capacity approx. 48 l. Delivery includes fixing material.

Dimensions: 400 x 600 x 200 mm

Article No. WP151-1



Available surface	ID No.
Stainless steel satin finished	922 931

Ernst Wagner GmbH & Co. KG

Ernst-Abbe-Straße 21 · D-72770 Reutlingen · Tel.: +49712151539-0 · Fax: -20
info@wagner-ewar.de · www.wagner-ewar.de

WAGNER
EWAR

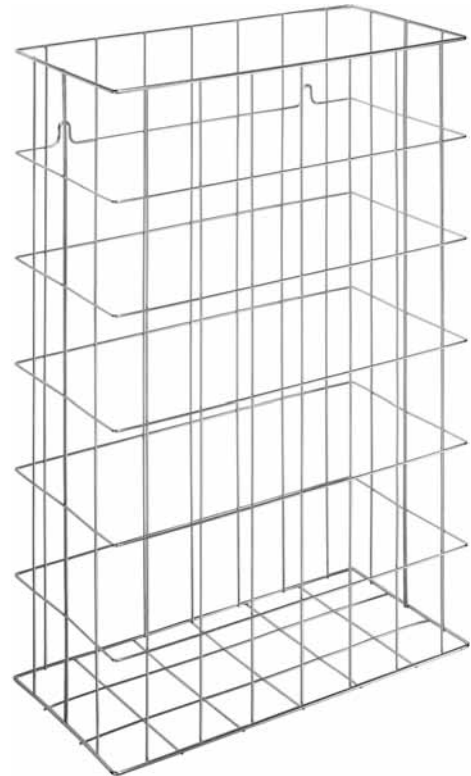
WASTE BASKET PLASTIC COATED WP151-2



400 x 600 x 200 mm

Capacity approx. 48 l

- Waste basket in grey, plastic coated steel wire.
- 2.5 mm and 4 mm thick lattice work. Fastening eyes in second row for invisible wall mounting.
- Capacity approx. 48 l.
- Mounting: With two screws.
- Delivery includes fixing material.
- Weight, including single package: 1.1 kg

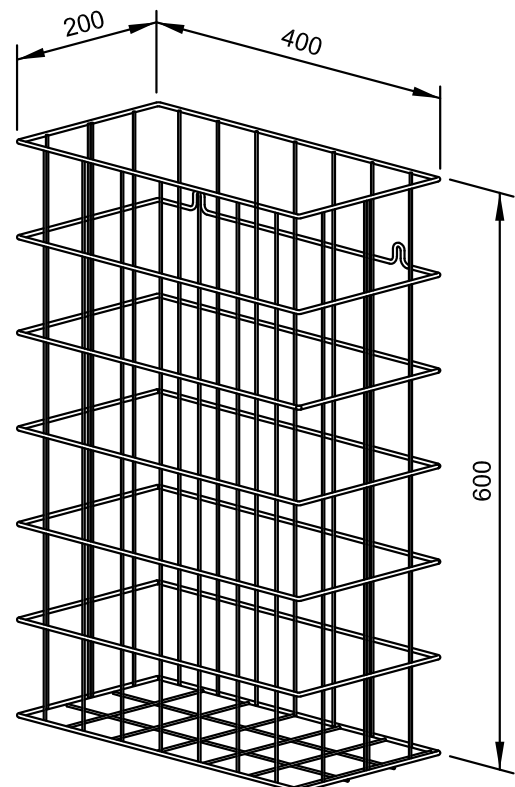


Suggested text for specifications:

Waste basket in grey, plastic coated steel wire for surface mounting or floor installation. 2.5 mm and 4 mm thick lattice work. Fastening eyes in second row for invisible wall mounting. Capacity approx. 48 l. Delivery includes fixing material.

Dimensions: 400 x 600 x 200 mm

Article No. WP151-2



Available surface	ID No.
plastic coated, grey	922 933

Ernst Wagner GmbH & Co. KG

Ernst-Abbe-Straße 21 · D-72770 Reutlingen · Tel.: +49712151539-0 · Fax: -20
info@wagner-ewar.de · www.wagner-ewar.de

WAGNER
— EWAR

298 x 598 x 190 mm
Capacity approx. 34 l

- Waste bin in robust, germ-reducing and easy-care stainless steel (AISI 304).
- All-stainless steel housing; visible surfaces satin finished and brushed. Further available surfaces: see below.
- Equipped with removable fabric stand bag in polypropylene, washable. Capacity approx. 34 l.
- Fabric stand bag replaces garbage bag.
- Mounting: With three screws through key holes and one optional anti-theft hole in the back wall.
- Delivery includes fixing material.
- Weight, including single package: 4.9 kg

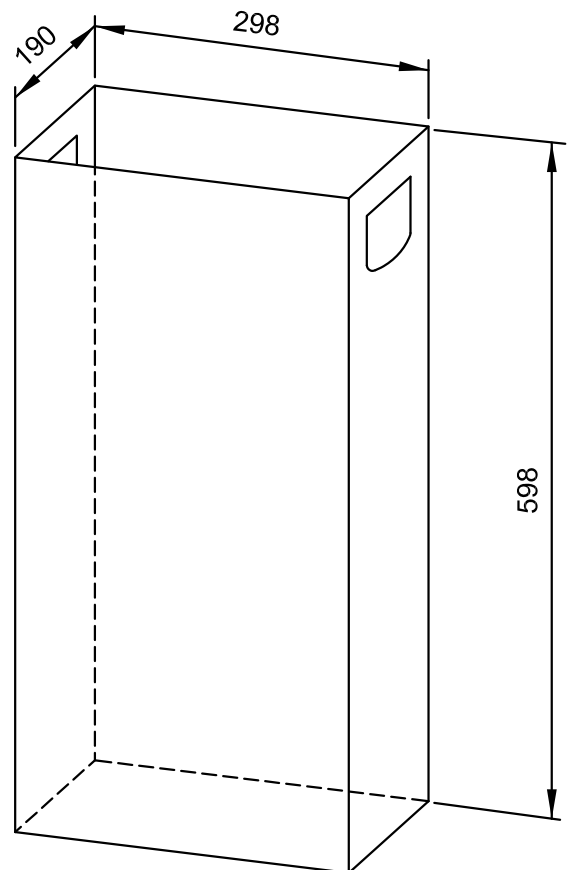


Suggested text for specifications:

Waste bin in stainless steel (AISI 304) for surface mounting. All-stainless steel housing; visible surfaces satin finished and brushed. Equipped with removable fabric stand bag in polypropylene, washable. Capacity approx. 34 l. Delivery includes fixing material.

Dimensions: 298 x 598 x 190 mm

Article No. WP152



Available surfaces	ID No.
satin finished (standard)	727 195
highly polished	731 195
(coloured) plastic powder-coating	728 195

WASTE DEPOSIT FLAP WP154



170 x 30 x 235 mm

- Self-closing, flame-retardant waste deposit flap in robust, germ-reducing and easy-care stainless steel (AISI 304).
- All-stainless steel construction; visible surfaces satin finished and brushed. Further available surfaces: see below.
- No wearing parts, smooth closing by counterweight.
- Mounting: Insert and glue into cutout.
- Installation dimensions: 146 x 210 mm
- Weight, including single package: 0.9 kg

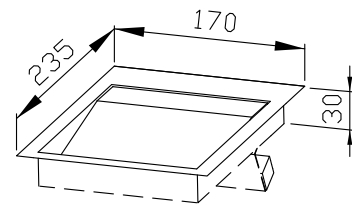


Suggested text for specifications:

Self-closing through counterweight, flame-retardant waste deposit flap in stainless steel (AISI 304) for counter mounting on the top side. All-stainless steel construction; visible surfaces satin finished and brushed.

Dimensions: 170 x 30 x 235 mm

Article No. WP154



Available surfaces	ID No.
satin finished (standard)	727 220
highly polished	732 220
(coloured) plastic powder-coating	728 220

Ernst Wagner GmbH & Co. KG

Ernst-Abbe-Straße 21 · D-72770 Reutlingen · Tel.: +49712151539-0 · Fax: -20
info@wagner-ewar.de · www.wagner-ewar.de

WAGNER
EWAR

WASTE DEPOSIT FLAP WP154-1



300 x 30 x 235 mm

- Self-closing, flame-retardant waste deposit flap in robust, germ-reducing and easy-care stainless steel (AISI 304).
- All-stainless steel construction; visible surfaces satin finished and brushed. Further available surfaces: see below.
- No wearing parts, smooth closing by counterweight.
- Mounting: Insert and glue into cutout.
- Installation dimensions: 277 x 210 mm
- Weight, including single package: 1.6 kg

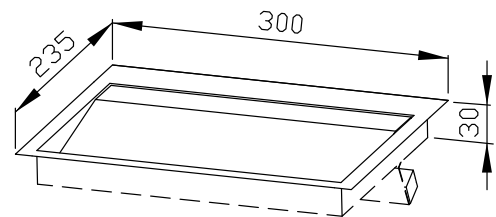


Suggested text for specifications:

Self-closing through counterweight, flame-retardant waste deposit flap in stainless steel (AISI 304) for counter mounting on the top side. All-stainless steel construction; visible surfaces satin finished and brushed.

Dimensions: 300 x 30 x 235 mm

Article No. WP154-1



Available surfaces	ID No.
satin finished (standard)	727 230
highly polished	731 230
(coloured) plastic powder-coating	728 230

Ernst Wagner GmbH & Co. KG

Ernst-Abbe-Straße 21 · D-72770 Reutlingen · Tel.: +49712151539-0 · Fax: -20
info@wagner-ewar.de · www.wagner-ewar.de

WAGNER
EWAR

SANITARY BAG STORAGE CONTAINER WP155



298 x 148 x 100 mm

- Sanitary bag storage container in robust, germ-reducing and easy-care stainless steel (AISI 304).
- Half-open, all-stainless steel construction; visible surfaces satin finished and brushed. Further available surfaces: see below.
- Designed for standard paper sanitary bags with dimensions of approx. 120 x 290 mm.
- Mounting: With three screws through key holes and one optional anti-theft hole in the back wall.
- Delivery includes fixing material.
- Weight, including single package: 1.3 kg

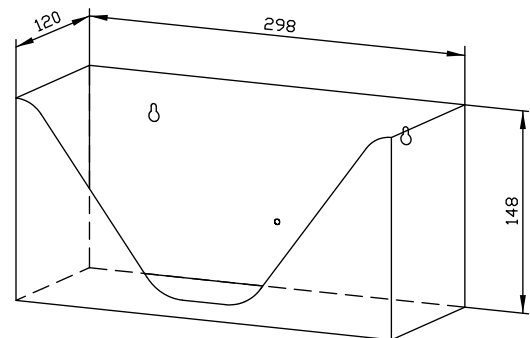


Suggested text for specifications:

Sanitary bag storage container in stainless steel (AISI 304) for surface mounting. Half-open all-stainless steel construction; visible surfaces satin finished and brushed. Designed for standard paper sanitary bags. Delivery includes fixing material.

Dimensions: 298 x 148 x 100 mm

Article No. WP155



Available surfaces	ID No.
satin finished (standard)	727 665
highly polished	731 665
(coloured) plastic powder-coating	728 112

Ernst Wagner GmbH & Co. KG

Ernst-Abbe-Straße 21 · D-72770 Reutlingen · Tel.: +49712151539-0 · Fax: -20
info@wagner-ewar.de · www.wagner-ewar.de

WAGNER
EWAR

SANITARY BAG DISPENSER WP156



100 x 130 x 25 mm

1 sanitary bag box

- Sanitary bag dispenser in robust, germ-reducing and easy-care stainless steel (AISI 304).
- All-stainless steel housing; visible surfaces satin finished and brushed.
- Further available surfaces: see below.
- Designed for one standard sanitary bag box with dimensions of approx. 118 x 87 x 20 mm.
- Accessible for refilling through front flap with spring-clip locking.
- Mounting: With two screws through key holes and one optional anti-theft hole in the back wall.
- Delivery includes fixing material and first fill.
- Weight, including single package: 0.5 kg

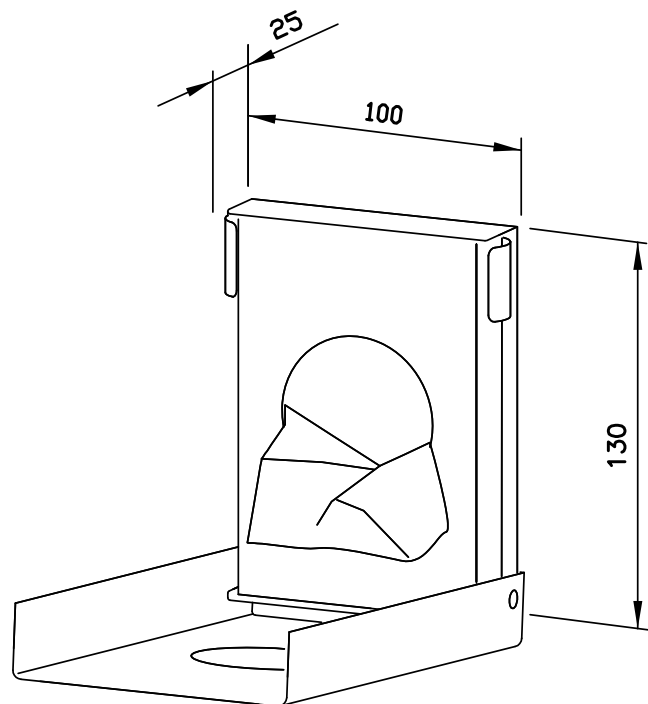


Suggested text for specifications:

Sanitary bag dispenser in stainless steel (AISI 304) for surface mounting. All-stainless steel housing; visible surfaces satin finished and brushed. Designed for one standard sanitary bag box. Accessible for refilling through front flap with spring-clip locking. Delivery includes fixing material and first fill.

Dimensions: 100 x 130 x 25 mm

Article No. WP156



Available surfaces	ID No.
satin finished (standard)	727 500
highly polished	731 500
(coloured) plastic powder-coating	728 143

Ernst Wagner GmbH & Co. KG

Ernst-Abbe-Straße 21 · D-72770 Reutlingen · Tel.: +49712151539-0 · Fax: -20
info@wagner-ewar.de · www.wagner-ewar.de

WAGNER
EWAR

SANITARY BAG DISPENSER WP156-1



100 x 170 x 25 mm

1 sanitary bag box

- Sanitary bag dispenser in robust, germ-reducing and easy-care stainless steel (AISI 304).
- All-stainless steel housing; visible surfaces satin finished and brushed.
Further available surfaces: see below.
- Designed for one standard sanitary bag box with dimensions of approx. 118 x 87 x 20 mm.
- Accessible for refilling through lockable front flap.
- Keyed alike cylinder lock in corrosion-resistant zinc die-casting.
- Wear parts can be replaced as modules.
- Mounting: With two screws through key holes and one optional anti-theft hole in the back wall.
- Delivery includes fixing material and first fill.
- Weight, including single package: 0.6 kg

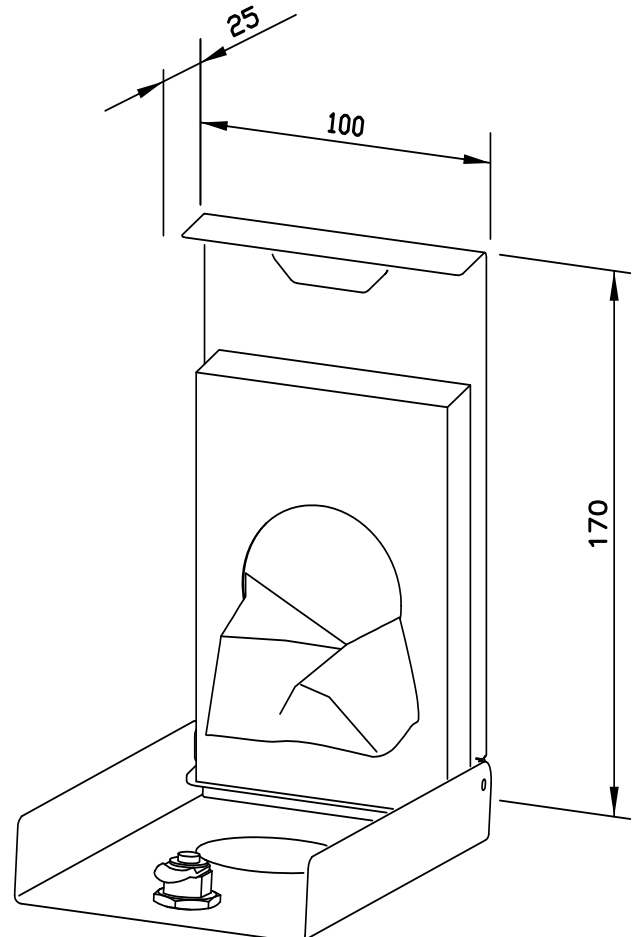


Suggested text for specifications:

Sanitary bag dispenser in stainless steel (AISI 304) for surface mounting. All-stainless steel housing; visible surfaces satin finished and brushed. Designed for one standard sanitary bag box. Accessible for refilling through lockable front flap. Keyed alike cylinder lock in corrosion-resistant zinc die-casting. Delivery includes fixing material and first fill.

Dimensions: 100 x 170 x 25 mm

Article No. WP156-1



Available surfaces	ID No.
satin finished (standard)	727 518
highly polished	731 518
(coloured) plastic powder-coating	728 518

Ernst Wagner GmbH & Co. KG

Ernst-Abbe-Straße 21 · D-72770 Reutlingen · Tel.: +49712151539-0 · Fax: -20
info@wagner-ewar.de · www.wagner-ewar.de

WAGNER
EWAR

TOILET ROLL HOLDER WP157



163 x 170 x 100 mm
for 1 toilet roll

- Toilet roll holder in robust, germ-reducing and easy-care stainless steel (AISI 304).
- All-stainless steel construction, visible surfaces satin finished and brushed.
Further available surfaces: see below.
- Designed for one standard toilet roll with dimensions:
Outer diameter max. 125 mm
Width max. 100 mm
Core diameter min. 38 mm
- Accessible for refilling by unlocking the center axis.
- Installation dimensions: 145 x 152 x 100 mm
- Mounting: With four screws in wall opening through fixing holes in the side walls.
- Delivery includes fixing material.
- Weight, including single package: 1.0 kg

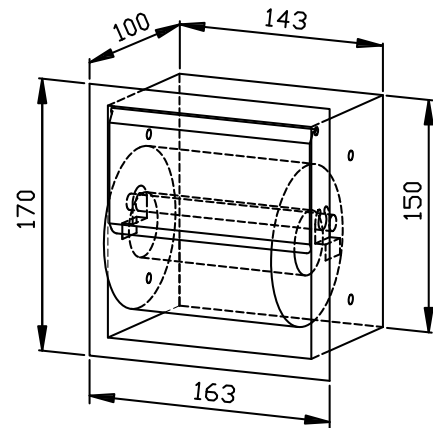


Suggested text for specifications:

Toilet roll holder in stainless steel (AISI 304) for flush mounting. All-stainless steel construction, visible surfaces satin finished and brushed. Designed for one standard toilet roll. Accessible for refilling by unlocking the center axis. Delivery includes fixing material.

Dimensions: 163 x 170 x 100 mm

Article No. WP157



Available surfaces	ID No.
satin finished (standard)	727 740
highly polished	731 740
(coloured) plastic powder-coating	728 740

Ernst Wagner GmbH & Co. KG

Ernst-Abbe-Straße 21 · D-72770 Reutlingen · Tel.: +49712151539-0 · Fax: -20
info@wagner-ewar.de · www.wagner-ewar.de

WAGNER
EWAR

WASTE DEPOSIT FLAP WP158-1



170 x 30 x 170 mm

- Self-closing, flame-retardant waste deposit flap in robust, germ-reducing and easy-care stainless steel (AISI 304).
- All-stainless steel construction; visible surfaces satin finished and brushed. Further available surfaces: see below.
- No wearing parts, smooth closing by counterweight.
- Mounting: Insert and glue into cutout.
- Installation dimensions: 146 x 140 mm
- Weight, including single package: 0.9 kg

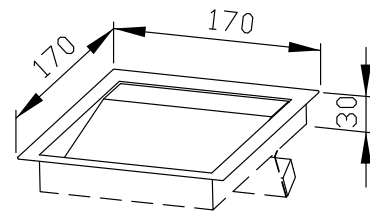


Suggested text for specifications:

Self-closing through counterweight, flame-retardant waste deposit flap in stainless steel (AISI 304) for counter mounting on the top side. All-stainless steel construction; visible surfaces satin finished and brushed.

Dimensions: 170 x 30 x 170 mm

Article No. WP158-1



Available surfaces	ID No.
satin finished (standard)	727 238
highly polished	731 238
(coloured) plastic powder-coating	728 238

Ernst Wagner GmbH & Co. KG

Ernst-Abbe-Straße 21 · D-72770 Reutlingen · Tel.: +49712151539-0 · Fax: -20
info@wagner-ewar.de · www.wagner-ewar.de

WAGNER
EWAR

Ø 170 x 100 mm

- Waste disposal ring in robust, germ-reducing and easy-care stainless steel (AISI 304).
- Deep drawn from one piece; visible surfaces satin finished and brushed.
Further available surfaces: see below.
- Mounting: Insert and glue into cutout.
- Installation dimensions: Ø 155 mm
- Weight, including single package: 0.5 kg

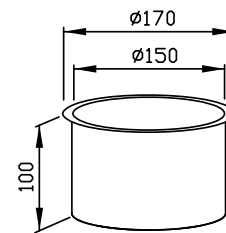


Suggested text for specifications:

Waste disposal ring in stainless steel (AISI 304) for counter mounting on the top side. Deep drawn from one piece; visible surfaces satin finished and brushed.

Dimensions: Ø 170 x 100 mm

Article No. WP159



Available surfaces	ID No.
satin finished (standard)	727 080
highly polished	731 080
(coloured) plastic powder-coating	729 080

Ø 170 x 20 mm

- Waste disposal ring in robust, germ-reducing and easy-care stainless steel (AISI 304).
- Deep drawn from one piece; visible surfaces satin finished and brushed.
- Further available surfaces: see below.
- Mounting: Insert and glue into cutout.
- Installation dimensions: Ø 155 mm
- Weight, including single package: 0.2 kg

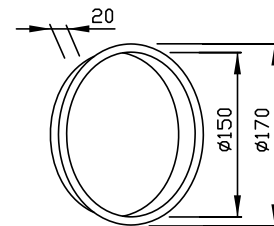


Suggested text for specifications:

Waste disposal ring in stainless steel (AISI 304) for under-counter mounting at the front side. Deep drawn from one piece; visible surfaces satin finished and brushed.

Dimensions: Ø 170 x 20 mm

Article No. WP159-1



Available surfaces	ID No.
satin finished (standard)	727 075
highly polished	731 075
(coloured) plastic powder-coating	729 075

TOILET BRUSH SET WP161



148 x 448 x 120 mm

closed design

- Toilet brush set, closed design, in robust, germ-reducing and easy-care stainless steel (AISI 304).
- All-stainless steel housing; all corners fully welded, visible surfaces satin finished and brushed. Further available surfaces: see below.
- Door with perforated „brush set“ pictogram, opened by pressing on the top right corner.
- Brush head replaceable.
- Cup removable. Internal stop bolt for optimum brush-position.
- Installation dimensions: 150 x 450 x 110 mm.
- Mounting: With four screws in wall opening through fixing holes in the side walls.
- Delivery includes fixing material.
- Weight, including single package: 3.5 kg

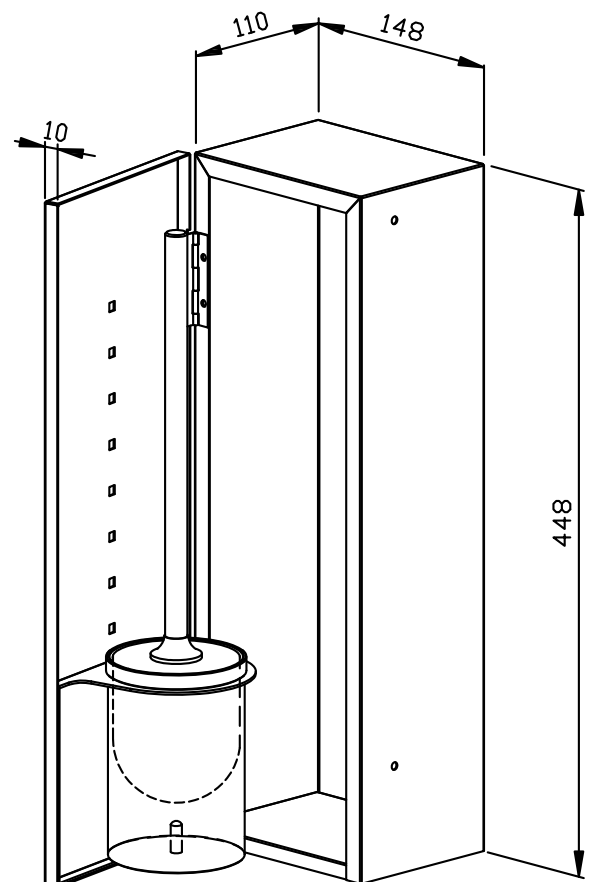


Suggested text for specifications:

Toilet brush set, closed design, in stainless steel (AISI 304) for flush mounting. All-stainless steel housing; all corners fully welded, visible surfaces satin finished and brushed. Door with perforated „brush set“ pictogram, opened by pressing on the top right corner. Brush head replaceable, cup removable with internal stop bolt for optimum brush-position. Delivery includes fixing material.

Dimensions: 148 x 448 x 120 mm

Article No. WP161



Available surfaces

ID No.

satin finished (standard)

727 360

highly polished

731 360

Ernst Wagner GmbH & Co. KG

Ernst-Abbe-Straße 21 · D-72770 Reutlingen · Tel.: +49712151539-0 · Fax: -20
info@wagner-ewar.de · www.wagner-ewar.de

WAGNER
EWAR

TOILET BRUSH SET WP162



148 x 448 x 120 mm

closed design

- Toilet brush set, closed design, in robust, germ-reducing and easy-care stainless steel (AISI 304).
- All-stainless steel housing; all corners fully welded, visible surfaces satin finished and brushed. Further available surfaces: see below.
- Door with perforated „brush set“ pictogram, opened by pressing on the top right corner.
- Brush head replaceable.
- Cup removable. Internal stop bolt for optimum brush-position.
- Mounting: With four screws through key holes and one optional anti-theft hole in the back wall.
- Delivery includes fixing material.
- Weight, including single package: 3.5 kg

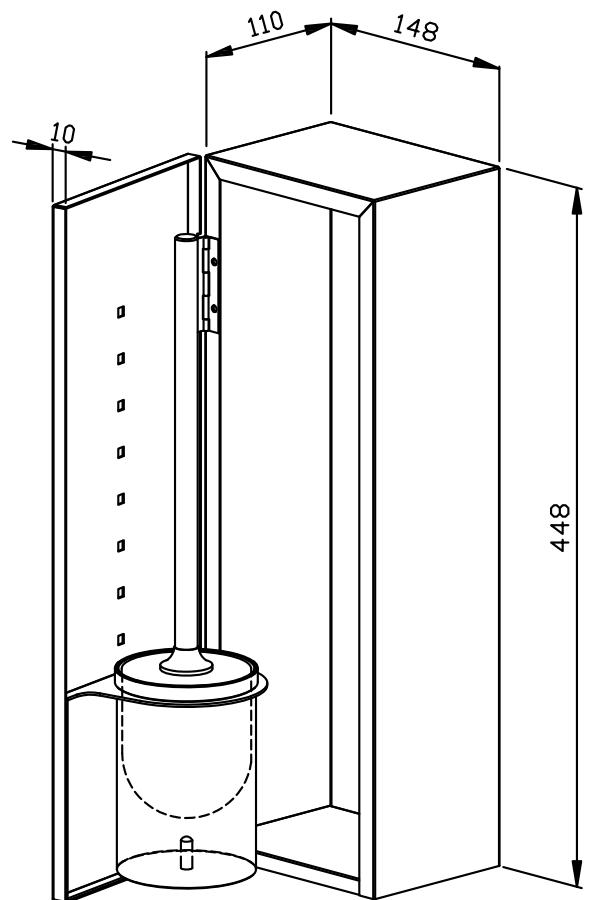


Suggested text for specifications:

Toilet brush set, closed design, in stainless steel (AISI 304) for surface mounting. All-stainless steel housing; all corners fully welded, visible surfaces satin finished and brushed. Door with perforated „brush set“ pictogram, opened by pressing on the top right corner. Brush head replaceable, cup removable with internal stop bolt for optimum brush-position. Delivery includes fixing material.

Dimensions: 148 x 448 x 120 mm

Article No. WP162



Available surfaces

ID No.

satin finished (standard)

727 380

highly polished

731 380

Ernst Wagner GmbH & Co. KG

Ernst-Abbe-Straße 21 · D-72770 Reutlingen · Tel.: +49712151539-0 · Fax: -20
info@wagner-ewar.de · www.wagner-ewar.de

WAGNER
EWAR

LARGE ROLL DISPENSER WP163



353 x 350 x 120 mm

for 1 large roll

- Large roll dispenser in robust, germ-reducing and easy-care stainless steel (AISI 304).
- All-stainless steel housing; visible surfaces satin finished and brushed.
Further available surfaces: see below.
- Designed for one standard large roll with dimensions:
Outer diameter max. 280 mm
Width max. 100 mm
Core diameter min. 40 mm
- Spring pressure plate to prevent unintended unrolling.
- Inspection slot to indicate fill level.
- Accessible for refilling through lockable, hinged housing.
- Keyed alike cylinder lock in corrosion-resistant zinc die-casting.
- Wear parts can be replaced as modules.
- Mounting: With four screws through key holes and one optional anti-theft hole in the back wall.
- Delivery includes fixing material.
- Can be converted to WP163-S at a later time:
Conversion kit ID 923 290.
- Weight, including single package: 4.8 kg

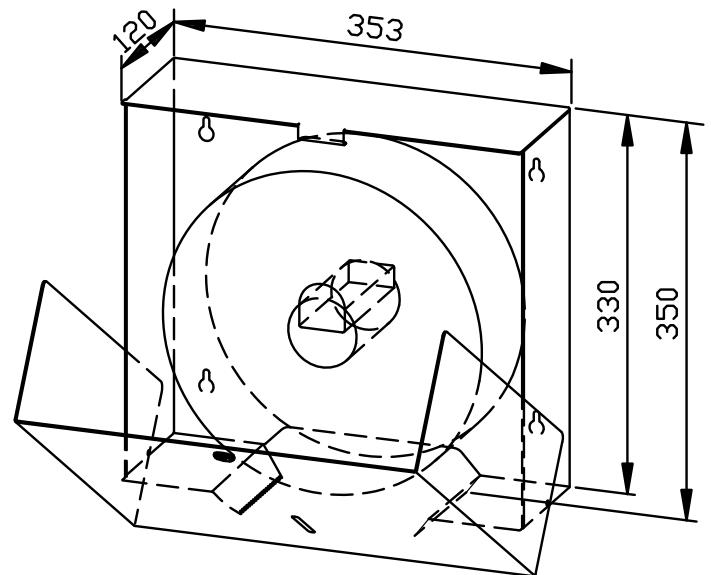


Suggested text for specifications:

Large roll dispenser in stainless steel (AISI 304) for surface mounting. All-stainless steel housing; visible surfaces satin finished and brushed. Designed for one standard large roll. Spring pressure plate to prevent unintended unrolling. Inspection slot to indicate fill level. Accessible for refilling through lockable, hinged housing. Keyed alike cylinder lock in corrosion-resistant zinc die-casting. Delivery includes fixing material.

Dimensions: 353 x 350 x 120 mm

Article No. WP163



Available surfaces	ID No.
satin finished (standard)	727 090
highly polished	731 090
(coloured) plastic powder-coating	728 090

Ernst Wagner GmbH & Co. KG

Ernst-Abbe-Straße 21 · D-72770 Reutlingen · Tel.: +49712151539-0 · Fax: -20
info@wagner-ewar.de · www.wagner-ewar.de

WAGNER
EWAR

FOUR-FOLD TOILET ROLL HOLDER WP163-S



353 x 350 x 120 mm
for 4 toilet paper rolls

- Four-fold toilet roll holder in robust, germ-reducing and easy-care stainless steel (AISI 304).
- All-stainless steel housing; visible surfaces satin finished and brushed. Further available surfaces: see below.
- Designed for four standard toilet rolls with dimensions:
Outer diameter max. 125 mm
Width max. 100 mm
Core diameter min. 38 mm
- Three concealed reserve rolls, each dropping down automatically.
- Inspection slot to indicate fill level.
- Accessible for refilling through lockable, hinged housing.
- Keyed alike cylinder lock in corrosion-resistant zinc die-casting.
- Wear parts can be replaced as modules.
- Mounting: With four screws through key holes and one optional anti-theft hole in the back wall.
- Delivery includes fixing material.
- Can be converted to WP163 at a later time:
Conversion kit ID 923 291.
- Weight, including single package: 6.2 kg

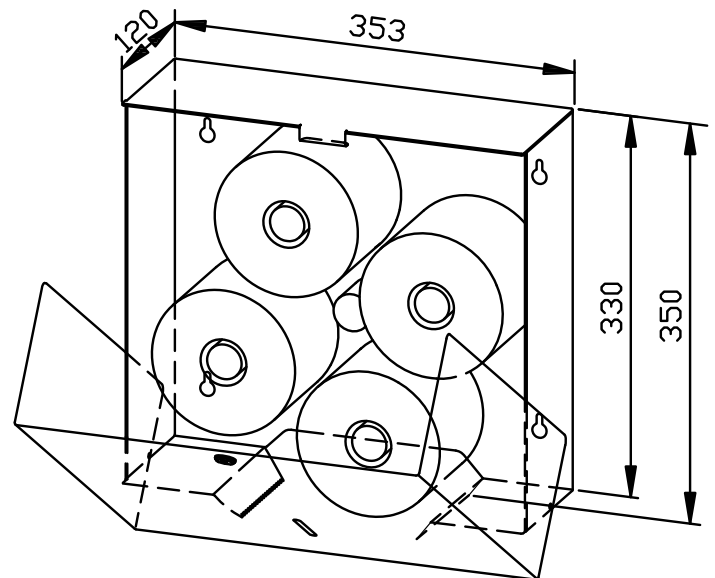


Suggested text for specifications:

Four-fold-toilet roll holder in stainless steel (AISI 304) for surface mounting. All-stainless steel housing; visible surfaces satin finished and brushed. Designed for four standard toilet rolls, three of them concealed reserve rolls, each dropping down automatically. Inspection slot to indicate fill level. Accessible for refilling through lockable, hinged housing. Keyed alike cylinder lock in corrosion-resistant zinc die-casting. Delivery includes fixing material.

Dimensions: 353 x 350 x 120 mm

Article No. WP163-S



Available surfaces	ID No.
satin finished (standard)	727 290
highly polished	731 290
(coloured) plastic powder-coating	728 290

Ernst Wagner GmbH & Co. KG

Ernst-Abbe-Straße 21 · D-72770 Reutlingen · Tel.: +49712151539-0 · Fax: -20
info@wagner-ewar.de · www.wagner-ewar.de

WAGNER
EWAR

TOILET ROLL HOLDER WITH RESERVE ROLL WP164



148 x 348 x 150 mm

with 1 concealed reserve roll

- Toilet roll holder with one concealed reserve roll in robust, germ-reducing and easy-care stainless steel (AISI 304).
- All-stainless steel housing; all corners fully welded. Visible surfaces satin finished and brushed. Further available surfaces: see below.
- Designed for two standard toilet rolls, including one concealed reserve roll, which drops down automatically with dimensions:
Outer diameter max. 125 mm
Width max. 100 mm
Core diameter min. 38 mm
- Inspection slot to indicate fill level.
- Accessible for refilling through lockable front flap.
- Keyed alike cylinder lock in corrosion-resistant zinc die-casting.
- Wear parts can be replaced as modules.
- Mounting: With four screws through key holes and one optional anti-theft hole in the back wall.
- Delivery includes fixing material.
- Weight, including single package: 3.9 kg

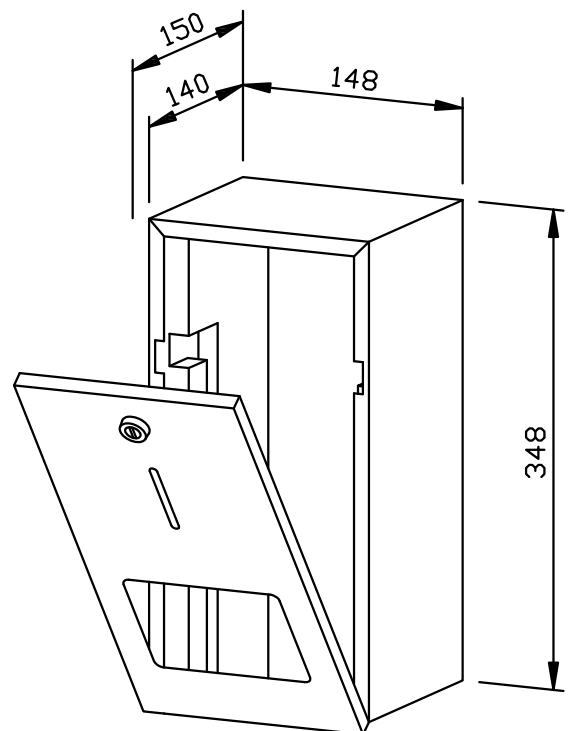


Suggested text for specifications:

Toilet roll holder with one concealed reserve roll in stainless steel (AISI 304) for surface mounting. All-stainless steel housing; all corners fully welded, visible surfaces satin finished and brushed. Designed for two standard toilet rolls, including one concealed reserve roll, which drops down automatically. Inspection slot to indicate fill level. Accessible for refilling through lockable front flap. Keyed alike cylinder lock in corrosion-resistant zinc die-casting. Delivery includes fixing material.

Dimensions: 148 x 348 x 150 mm

Article No. WP164



Available surfaces	ID No.
satin finished (standard)	727 200
highly polished	733 300
(coloured) plastic powder-coating	728 203

Ernst Wagner GmbH & Co. KG

Ernst-Abbe-Straße 21 · D-72770 Reutlingen · Tel.: +49712151539-0 · Fax: -20
info@wagner-ewar.de · www.wagner-ewar.de

WAGNER
EWAR

PAPER TOWEL DISPENSER WP165



326 x 173 x 164 mm

approx. 250 paper towels

- Paper towel dispenser in robust, germ-reducing and easy-care stainless steel (AISI 304).
- All-stainless steel housing; all corners fully welded, visible surfaces satin finished and brushed. Further available surfaces: see below.
- With deep-drawn paper removal opening for easy paper removal.
- Designed for approx. 250 standard paper towels in zigzag- or c-fold. Paper size (folded): 240-250 mm x 100-115 mm.
- Accessible for refilling through lockable front flap.
- Keyed alike cylinder lock in corrosion-resistant zinc die-casting.
- Wear parts can be replaced as modules.
- Installation dimensions: 300 x 150 mm
- Mounting: With four screws on the inside, sideways.
- Delivery includes fixing material and one pack of paper towels.
- Weight, including single package: 3.2 kg

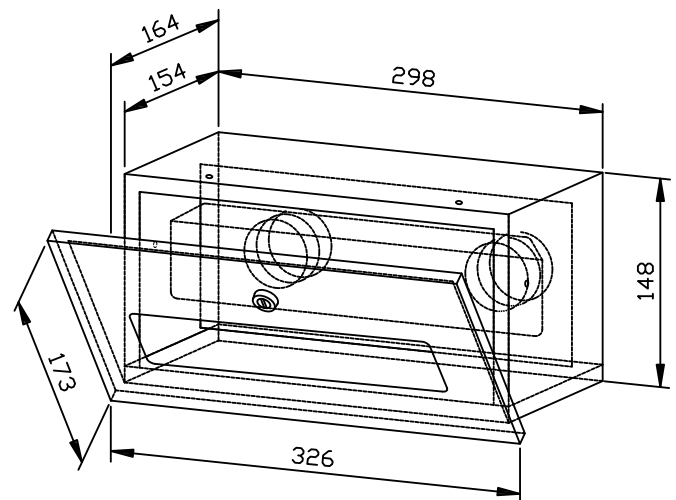


Suggested text for specifications:

Paper towel dispenser in stainless steel (AISI 304) for horizontal under-counter mounting.. All-stainless steel housing; all corners fully welded, visible surfaces satin finished and brushed. With deep-drawn paper removal opening, filling quantity approx. 250 paper towels. Accessible for refilling through lockable front flap. Keyed alike cylinder lock in corrosion-resistant zinc die-casting. Delivery includes fixing material and one pack of paper towels.

Dimensions: 326 x 173 x 164 mm

Article No. WP165



Available surfaces	ID No.
satin finished (standard)	764 186
highly polished	731 186
(coloured) plastic powder-coating	728 114

Ernst Wagner GmbH & Co. KG

Ernst-Abbe-Straße 21 · D-72770 Reutlingen · Tel.: +49712151539-0 · Fax: -20
info@wagner-ewar.de · www.wagner-ewar.de

WAGNER
EWAR

PAPER TOWEL DISPENSER WP166



298 x 148 x 164 mm

approx. 250 paper towels

- Paper towel dispenser in robust, germ-reducing and easy-care stainless steel (AISI 304).
- All-stainless steel housing; all corners fully welded, visible surfaces satin finished and brushed. Further available surfaces: see below.
- With deep-drawn paper removal opening for easy paper removal.
- Designed for approx. 250 standard paper towels in zigzag- or c-fold. Paper size (folded): 240-250 mm x 100-115 mm. Accessible for refilling through lockable front flap.
- Keyed alike cylinder lock in corrosion-resistant zinc die-casting.
- Wear parts can be replaced as modules.
- Installation dimensions: 300 x 150 mm
- Mounting: With four screws on the inside, sideways.
- Delivery includes fixing material and one pack of paper towels.
- Weight, including single package: 3.1 kg

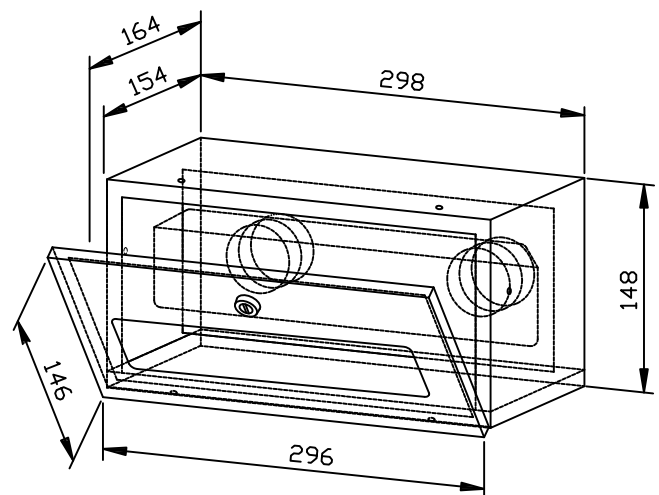


Suggested text for specifications:

Paper towel dispenser in stainless steel (AISI 304) for horizontal under-counter mounting.. All-stainless steel housing; all corners fully welded, visible surfaces satin finished and brushed. With deep-drawn paper removal opening, filling quantity approx. 250 paper towels. Accessible for refilling through lockable front flap. Keyed alike cylinder lock in corrosion-resistant zinc die-casting. Delivery includes fixing material and one pack of paper towels.

Dimensions: 298 x 148 x 164 mm

Article No. WP166



Available surfaces	ID No.
satin finished (standard)	764 200
highly polished	732 200
(coloured) plastic powder-coating	730 200

Ernst Wagner GmbH & Co. KG

Ernst-Abbe-Straße 21 · D-72770 Reutlingen · Tel.: +49712151539-0 · Fax: -20
info@wagner-ewar.de · www.wagner-ewar.de

WAGNER
EWAR

TOILET ROLL HOLDER WITH RESERVE ROLL WP167



148 x 348 x 150 mm

with 1 concealed reserve roll

- Toilet roll holder with one concealed reserve roll in robust, germ-reducing and easy-care stainless steel (AISI 304).
- All-stainless steel housing; all corners fully welded. Visible surfaces satin finished and brushed. Further available surfaces: see below.
- Designed for two standard toilet rolls, including one concealed reserve roll, which drops down automatically with dimensions:
 - Outer diameter max. 125 mm
 - Width max. 100 mm
 - Core diameter min. 38 mm
- Inspection slot to indicate fill level.
- Accessible for refilling through lockable front flap.
- Keyed alike cylinder lock in corrosion-resistant zinc die-casting.
- Wear parts can be replaced as modules.
- Installation dimensions: 150 x 350 x 140 mm
- Mounting: With four screws in wall opening through fixing holes in the side walls.
- Delivery includes fixing material.
- Weight, including single package: 3.9 kg

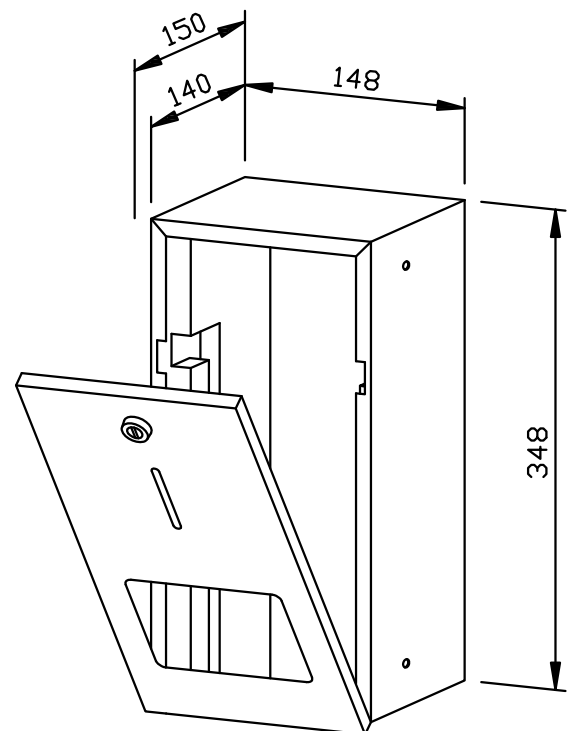


Suggested text for specifications:

Toilet roll holder with one concealed reserve roll in stainless steel (AISI 304) for flush mounting. All-stainless steel housing; all corners fully welded, visible surfaces satin finished and brushed. Designed for two standard toilet rolls, including one concealed reserve roll, which drops down automatically. Inspection slot to indicate fill level. Accessible for refilling through lockable front flap. Keyed alike cylinder lock in corrosion-resistant zinc die-casting. Delivery includes fixing material.

Dimensions: 148 x 348 x 150 mm

Article No. WP167



Available surfaces	ID No.
satin finished (standard)	728 500
highly polished	732 500
(coloured) plastic powder-coating	729 500

Ernst Wagner GmbH & Co. KG

Ernst-Abbe-Straße 21 · D-72770 Reutlingen · Tel.: +49712151539-0 · Fax: -20
info@wagner-ewar.de · www.wagner-ewar.de

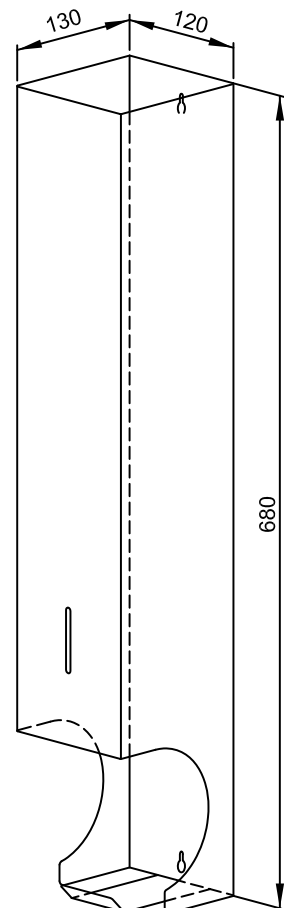
WAGNER
EWAR

TOILET ROLL STORAGE CONTAINER WP168



120 x 680 x 130 mm
for 5 toilet paper rolls

- Toilet roll storage container in robust, germ-reducing and easy-care stainless steel (AISI 304).
- All-stainless steel housing; visible surfaces satin finished and brushed. Further available surfaces: see below.
- Designed for five standard toilet rolls, including four concealed, which drop down automatically with dimensions:
Outer diameter max. 125 mm
Width max. 100 mm
Core diameter (any) mm
- Inspection slot to indicate fill level.
- Accessible for refilling through opening at the top.
- Mounting: With two screws through key holes in the back wall.
- Delivery includes fixing material.
- Weight, including single package: 2.5 kg



Suggested text for specifications:

Toilet roll storage container in stainless steel (AISI 304) for surface mounting. All-stainless steel housing; visible surfaces satin finished and brushed. Designed for five standard toilet rolls, including four concealed, which drop down automatically. Inspection slot to indicate fill level. Accessible for refilling through opening at the top. Delivery includes fixing material.

Dimensions: 120 x 680 x 130 mm

Article No. WP168

Available surfaces	ID No.
satin finished (standard)	727 168
highly polished	731 168
(coloured) plastic powder-coating	728 168

Ernst Wagner GmbH & Co. KG

Ernst-Abbe-Straße 21 · D-72770 Reutlingen · Tel.: +49712151539-0 · Fax: -20
info@wagner-ewar.de · www.wagner-ewar.de

WAGNER
EWAR

TOILET PAPER SINGLE SHEET DISPENSER WP169



120 x 298 x 120 mm

approx. 500 single sheets toilet paper

- Toilet paper single sheet dispenser in robust, germ-reducing and easy-care stainless steel (AISI 304).
- All-stainless steel housing; visible surfaces satin finished and brushed. Further available surfaces: see below.
- Designed for 2 x 250 standard single sheets in zig-zag fold with dimensions (folded): 110 x 100 mm.
- Inspection slot to indicate fill level.
- Accessible for refilling through lockable, hinged housing.
- Keyed alike cylinder lock in corrosion-resistant zinc die-casting.
- Wear parts can be replaced as modules.
- Mounting: With four screws through key holes and one optional anti-theft hole in the back wall.
- Delivery includes fixing material.
- Weight, including single package: 2.5 kg

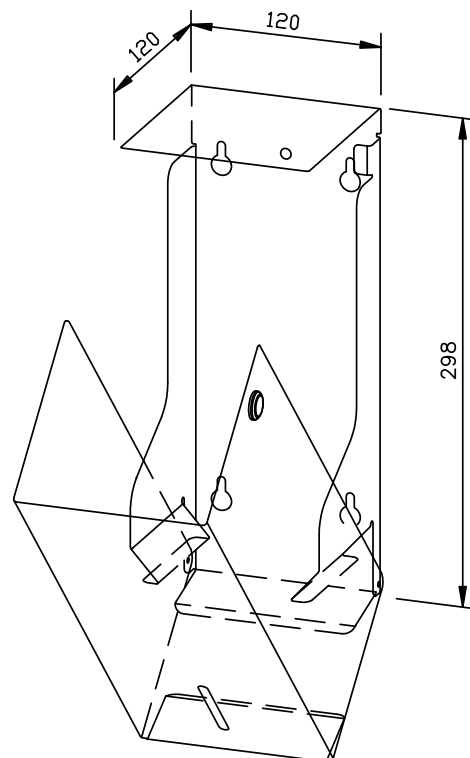


Suggested text for specifications:

Toilet paper single sheet dispenser in stainless steel (AISI 304) for surface mounting. All-stainless steel housing; visible surfaces satin finished and brushed. Designed for 2 x 250 standard single sheets of toilet paper. Inspection slot to indicate fill level. Accessible for refilling through lockable, hinged housing. Keyed alike cylinder lock in corrosion-resistant zinc die-casting. Delivery includes fixing material.

Dimensions 120 x 298 x 120 mm

Article No. WP169



Available surfaces	ID No.
satin finished (standard)	753 200
highly polished	731 200
(coloured) plastic powder-coating	729 200

Ernst Wagner GmbH & Co. KG

Ernst-Abbe-Straße 21 · D-72770 Reutlingen · Tel.: +49712151539-0 · Fax: -20
info@wagner-ewar.de · www.wagner-ewar.de

WAGNER
EWAR

PAPER TOWEL DISPENSER WP170



298 x 148 x 310 mm

approx. 500 paper towels

- Paper towel dispenser in robust, germ-reducing and easy-care stainless steel (AISI 304).
- Suitable for flush horizontal under-counter mounting.
- All-stainless steel housing; all corners fully welded, visible surfaces satin finished and brushed. Further available surfaces: see below.
- With deep-drawn paper removal opening for easy paper removal.
- Designed for approx. 500 standard paper towels in zigzag- or c-fold. Paper size (folded): 240-250 mm x 100-115 mm. Accessible for refilling through lockable drawer.
- Keyed alike cylinder lock in corrosion-resistant zinc die-casting.
- Wear parts can be replaced as modules.
- Installation dimensions: 300 x 150 mm
- Mounting: With four screws through key holes and one optional anti-theft hole on the top and/or four mounting holes on the side.
- Delivery includes fixing material and one pack of paper towels.
- Weight, including single package: 5.7 kg

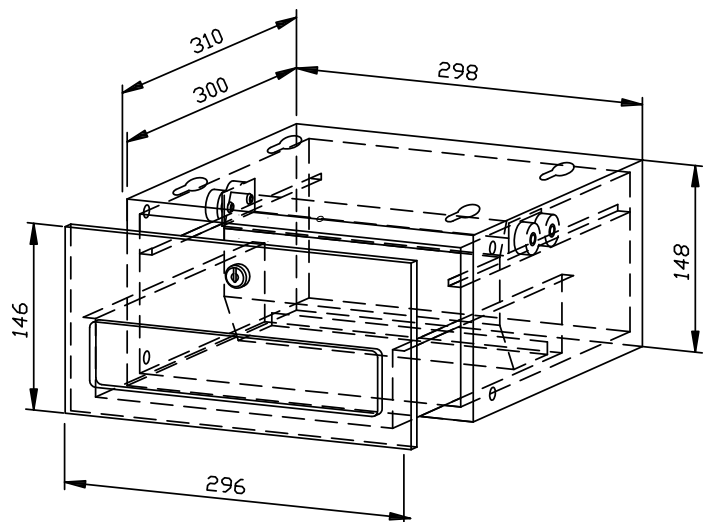


Suggested text for specifications:

Paper towel dispenser in stainless steel (AISI 304) for flush horizontal under-counter mounting. All-stainless steel housing; all corners fully welded, visible surfaces satin finished and brushed. With deep-drawn paper removal opening, filling quantity approx. 500 paper towels. Accessible for refilling through lockable drawer. Keyed alike cylinder lock in corrosion-resistant zinc die-casting. Delivery includes fixing material and one pack of paper towels.

Dimensions: 298 x 148 x 310 mm

Article No. WP170



Available surfaces	ID No.
satin finished (standard)	727 408
highly polished	731 408
(coloured) plastic powder-coating	728 128

Ernst Wagner GmbH & Co. KG

Ernst-Abbe-Straße 21 · D-72770 Reutlingen · Tel.: +49712151539-0 · Fax: -20
info@wagner-ewar.de · www.wagner-ewar.de

WAGNER
EWAR

LIQUID SOAP DISPENSER WP173 FOR MOUNTING IN CABINET



67(69) x 259(221) x 97(88) mm

500 ml or 950 ml soap bottle or 850 ml plug-in tank

- Liquid soap dispenser in robust, germ-reducing and easy-care stainless steel (AISI 316L).
- For mounting in cabinet on site.
- One-hand operated and non-drip soap pump.
- Designed for standard 500 ml or 950 ml disposable bottles of liquid soap or hand lotion. Refillable from the top.
- Also refillable with large container using the plug-in tank as an option.
- Wear parts can be replaced as modules.
- Mounting: With two screws through key holes and one optional anti-theft hole in the back wall.
- Delivery includes fixing material, self-adhesive information label „Soap“ and first fill with soap.
- Weight, including single package: 1.5 kg

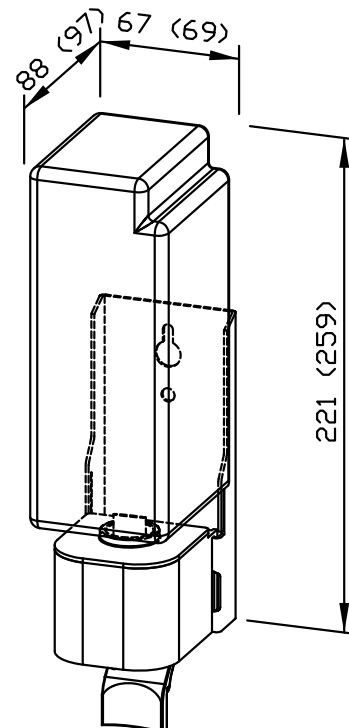


Suggested text for specifications:

Liquid soap dispenser in stainless steel (AISI 316L) for mounting in cabinet. One-hand operated and non-drip soap pump. Designed for standard 500 ml or 950 ml disposable bottles of liquid soap or hand lotion. Refillable from the top. Delivery includes fixing material, self-adhesive information label „Soap“ and first fill with soap.

Dimensions: 67(69) x 259(221) x 97(88) mm

Article No. WP173



Options	ID No.
Plug-in tank 850 ml	937 201
Available surface	ID No.
satin finished	727 173

Ernst Wagner GmbH & Co. KG

Ernst-Abbe-Straße 21 · D-72770 Reutlingen · Tel.: +49712151539-0 · Fax: -20
info@wagner-ewar.de · www.wagner-ewar.de

WAGNER
EWAR

LIQUID SOAP DISPENSER WP173-1 FOR MOUNTING IN CABINET



67 x 150 x 88 mm

200 ml soap tank

- Liquid soap dispenser in robust, germ-reducing and easy-care stainless steel (AISI 316L).
- For mounting in cabinet on site.
- One-hand operated and non-drip soap pump with 200 ml tank.
- Tank with large, lockable refill opening.
- Designed for standard liquid soaps or hand lotions. Refillable from the top.
- Wear parts can be replaced as modules.
- Mounting: With two screws through key holes and one optional anti-theft hole in the back wall.
- Delivery includes fixing material and self-adhesive information label „Soap“.
- Weight, including single package: 0.5 kg

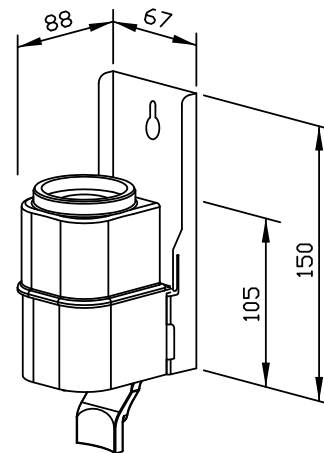


Suggested text for specifications:

Liquid soap dispenser in stainless steel (AISI 316L) for mounting in cabinet. One-hand operated and non-drip soap pump with 200 ml tank. Designed for standard liquid soaps or hand lotions. Refillable from the top. Delivery includes fixing material and self-adhesive information label „Soap“.

Dimensions: 67 x 150 x 88 mm

Article No. WP173-1



Available surface	ID No.
satin finished	727 174

Ernst Wagner GmbH & Co. KG

Ernst-Abbe-Straße 21 · D-72770 Reutlingen · Tel.: +49712151539-0 · Fax: -20
info@wagner-ewar.de · www.wagner-ewar.de

WAGNER
EWAR

FOAM SOAP DISPENSER WP173-5 FOR MOUNTING IN CABINET



67 x 247 x 115 mm

400 ml foam soap concentrate

- Foam soap dispenser in robust, germ-reducing and easy-care stainless steel (AISI 316L).
- For mounting in cabinet on site.
- One-hand operated and non-drip foam soap pump.
- Designed for standard 400 ml foam soap concentrate. Refillable from the top.
- Wear parts can be replaced as modules.
- Mounting: With two screws through key holes and one optional anti-theft hole in the back wall.
- Delivery includes fixing material, self-adhesive information label „Soap“ and first fill with foam soap concentrate.
- Weight, including single package: 1.0 kg

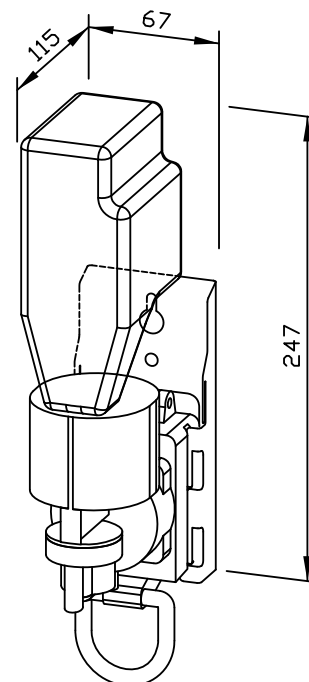


Suggested text for specifications:

Foam soap dispenser in stainless steel (AISI 316L) for mounting in cabinet. One-hand operated and non-drip foam soap pump. Designed for standard 400 ml foam soap concentrate. Refillable from the top. Delivery includes fixing material, self-adhesive information label „Soap“ and first fill with foam soap concentrate.

Dimensions: 67 x 247 x 115 mm

Article No. WP173-5



Available surface	ID No.
satin finished	727 185

Ernst Wagner GmbH & Co. KG

Ernst-Abbe-Straße 21 · D-72770 Reutlingen · Tel.: +49712151539-0 · Fax: -20
info@wagner-ewar.de · www.wagner-ewar.de

WAGNER
EWAR

DISINFECTANT DISPENSER WP173-7 FOR MOUNTING IN CABINET



71 x 229 x 110 mm
950 ml tank

- Disinfectant dispenser in robust, germ-reducing and easy-care stainless steel (AISI 316L).
- For mounting in cabinet on site.
- One-hand operation disinfectant pump with 950 ml tank.
- Tank with large, lockable refill opening.
- Designed for standard disinfectants. Refillable from the top.
- Wear parts can be replaced as modules.
- Mounting: With two screws through key holes and one optional anti-theft hole in the back wall.
- Delivery includes fixing material and self-adhesive information label „disinfectant“.
- Weight, including single package: 0.6 kg

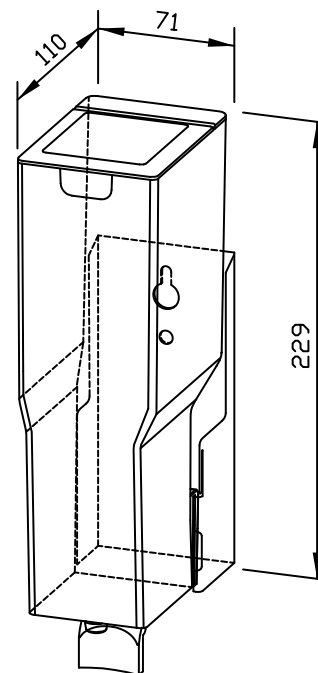


Suggested text for specifications:

Disinfectant dispenser in stainless steel (AISI 316L) for mounting in cabinet. One-hand operation disinfectant pump with 950 ml tank. Designed for standard disinfectants. Refillable from the top. Delivery includes fixing material and self-adhesive information label „Disinfectant“.

Dimensions: 71 x 229 x 110 mm

Article No. WP173-7



Available surface	ID No.
satin finished	727 178

Ernst Wagner GmbH & Co. KG

Ernst-Abbe-Straße 21 · D-72770 Reutlingen · Tel.: +49712151539-0 · Fax: -20
info@wagner-ewar.de · www.wagner-ewar.de

WAGNER
EWAR

SENSOR LIQUID SOAP DISPENSER WP173E FOR MOUNTING IN CABINET



87 x 293(255) x 129(121) mm

500 ml or 950 ml soap bottle or 850 ml plug-in tank

- Sensor liquid soap dispenser in robust, germ-reducing and easy-care stainless steel (AISI 316L).
- For mounting in cabinet on site.
- With EWAR® eModule touch-free operated and non-drip soap pump.
- Designed for standard 500 ml or 950 ml disposable bottles of liquid soap or hand lotion. Refillable from the top.
- Also refillable with large container using the plug-in tank as an option.
- eModule battery-powered with two 1.5 V Baby/LR14 batteries. Power supply available as an option.
- Wear parts can be replaced as modules.
- Mounting: With three screws through key holes and one optional anti-theft hole in the back wall.
- Delivery includes fixing material, batteries, self-adhesive information label „Soap“ and first fill with soap.
- Weight, including single package: 1.8 kg

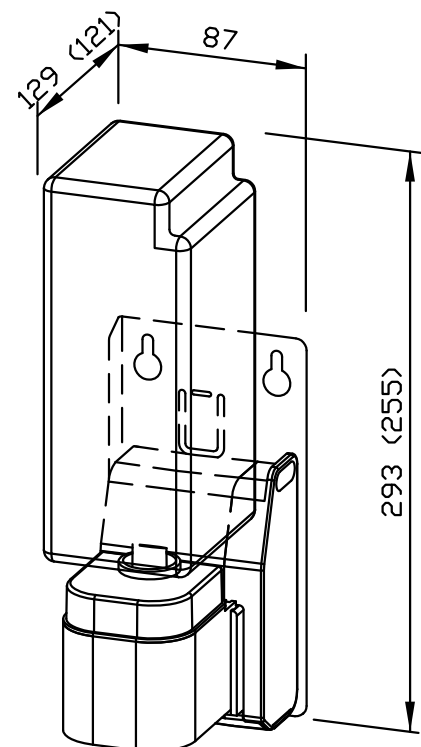


Suggested text for specifications:

Sensor liquid soap dispenser in stainless steel (AISI 316L) for mounting in cabinet. With touch-free operated and non-drip soap pump. Designed for standard 500 ml or 950 ml disposable bottles of liquid soap or hand lotion. Refillable from the top. Delivery includes fixing material, batteries, self-adhesive information label „Soap“ and first fill with soap.

Dimensions: 87 x 293(255) x 129(121) mm

Article No. WP173e



Options	ID No.
Plug-in tank 850 ml	937 201
Power supply for eModule	923 060

Available surface	ID No.
satin finished	727 183

Ernst Wagner GmbH & Co. KG

Ernst-Abbe-Straße 21 · D-72770 Reutlingen · Tel.: +49712151539-0 · Fax: -20
info@wagner-ewar.de · www.wagner-ewar.de

WAGNER
EWAR

SENSOR LIQUID SOAP DISPENSER WP173E-1 FOR MOUNTING IN CABINET



87 x 174 x 120 mm

200 ml soap tank

- Sensor liquid soap dispenser in robust, germ-reducing and easy-care stainless steel (AISI 316L).
- For mounting in cabinet on site.
- With EWAR® eModule touch-free operated and non-drip soap pump with 200 ml tank.
- Tank with large, lockable refill opening.
- Designed for standard liquid soaps or hand lotions. Refillable from the top.
- eModule battery-powered with two 1.5 V Baby/LR14 batteries. Power supply available as an option.
- Wear parts can be replaced as modules.
- Mounting: With three screws through key holes in the back wall
- Delivery includes fixing material and self-adhesive information label „Soap“.
- Weight, including single package: 0.8 kg

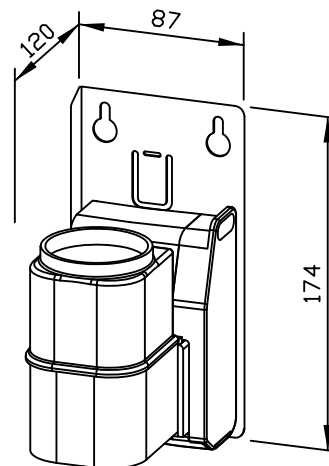


Suggested text for specifications:

Sensor liquid soap dispenser in stainless steel (AISI 316L) for mounting in cabinet. With touch-free operated and non-drip soap pump with 200 ml tank. Designed for standard liquid soaps or hand lotions. Refillable from the top. Delivery includes fixing material, batteries and self-adhesive information label „Soap“.

Dimensions: 87 x 174 x 120 mm

Article No. WP173e-1



Options	ID No.
Power supply for eModule	923 060

Available surface	ID No.
satin finished	727 184

Ernst Wagner GmbH & Co. KG

Ernst-Abbe-Straße 21 · D-72770 Reutlingen · Tel.: +49712151539-0 · Fax: -20
info@wagner-ewar.de · www.wagner-ewar.de

WAGNER
EWAR

SENSOR-DISINFECTANT DISPENSER WP173E-7 FOR MOUNTING IN CABINET



87 x 248 x 120 mm

950 ml tank

- Sensor disinfectant dispenser in robust, germ-reducing and easy-care stainless steel (AISI 316L).
- For mounting in cabinet on site.
- With EWAR® eModule touch-free operated disinfectant pump with 950 ml tank.
- Tank with large, lockable refill opening.
- Designed for standard disinfectants for hands. Refillable from the top.
- eModule battery-powered with two 1.5 V Baby/LR14 batteries. Power supply available as an option.
- Wear parts can be replaced as modules.
- Mounting: With three screws through key holes in the back wall.
- Delivery includes fixing material, batteries and self-adhesive information label „disinfectant“.
- Weight, including single package: 1.0 kg

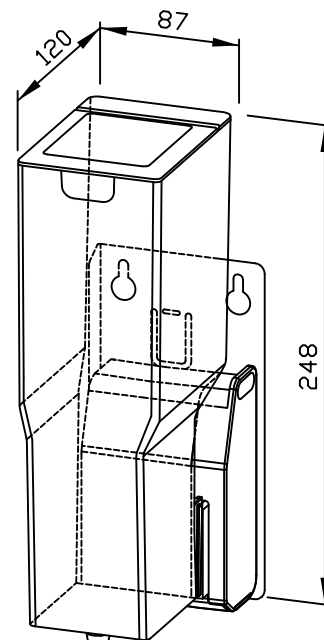


Suggested text for specifications:

Sensor disinfectant dispenser in stainless steel (AISI 316L) for mounting in cabinet. With touch-free operated disinfectant pump with 950 ml tank. Designed for standard disinfectants for hands. Refillable from the top. Delivery includes fixing material, batteries and self-adhesive information label „Disinfectant“.

Dimensions: 87 x 248 x 120 mm

Article No. WP173e-7



Options	ID No.
Power supply for eModule	923 060

Available surface	ID No.
satin finished	727 186

Ernst Wagner GmbH & Co. KG

Ernst-Abbe-Straße 21 · D-72770 Reutlingen · Tel.: +49712151539-0 · Fax: -20
info@wagner-ewar.de · www.wagner-ewar.de

WAGNER
EWAR

LIQUID SOAP DISPENSER WP174 FOR MOUNTING BEHIND FIXED MIRROR



68 x 153 x 98 mm
200 ml soap tank

- Liquid soap dispenser in robust, germ-reducing and easy-care stainless steel (AISI 316L).
- For mounting behind fixed mirror on site.
- One-hand operated and non-drip soap pump with 200 ml tank.
- Tank with large, lockable refill opening.
- Designed for standard liquid soaps or hand lotions. Accessible for refilling through spring stop pin and by removing from below.
- Wear parts can be replaced as modules.
- Mounting: With two screws through key holes and one optional anti-theft hole in the back wall. Depth of substructure installation: min. 120 mm Height above vanity unit: min. 160 mm
- Delivery includes fixing material and self-adhesive information label „Soap“.
- Weight, including single package: 0.6 kg

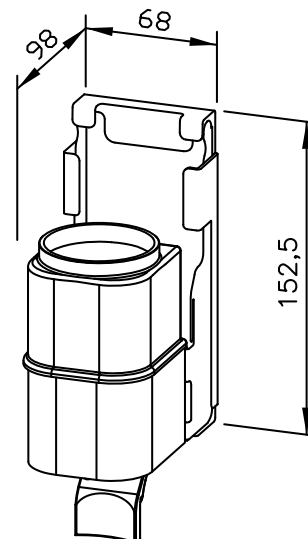


Suggested text for specifications:

Liquid soap dispenser in stainless steel (AISI 316L) for mounting behind fixed mirror. One-hand operated and non-drip soap pump with 200 ml tank. Designed for standard liquid soaps or hand lotions. Accessible for refilling through spring stop pin and by removing from below. Delivery includes fixing material and self-adhesive information label „Soap“.

Dimensions: 68 x 153 x 98 mm

Article No. WP174



Available surface	ID No.
satin finished	727 030

Ernst Wagner GmbH & Co. KG

Ernst-Abbe-Straße 21 · D-72770 Reutlingen · Tel.: +49712151539-0 · Fax: -20
info@wagner-ewar.de · www.wagner-ewar.de

WAGNER
EWAR

LIQUID SOAP DISPENSER WP174-2 FOR MOUNTING BEHIND FIXED MIRROR



91 x 259(221) x 98 mm

500 ml or 950 ml soap bottle or 850 ml plug-in tank

- Liquid soap dispenser in robust, germ-reducing and easy-care stainless steel (AISI 316L).
- For mounting behind fixed mirror on site.
- One-hand operated and non-drip soap pump.
- Designed for standard 500 ml or 950 ml disposable bottles of liquid soap or hand lotion. Accessible for refilling through spring stop pin and by removing from below.
- Also refillable with large container using the plug-in tank as an option.
- Wear parts can be replaced as modules.
- Mounting: With two screws through key holes and one optional anti-theft hole in the back wall. Depth of substructure installation: min. 130 mm Height above vanity unit: min. 220(250) mm
- Delivery includes fixing material, self-adhesive information label „Soap“ and first fill with soap.
- Weight, including single package: 1.6 kg

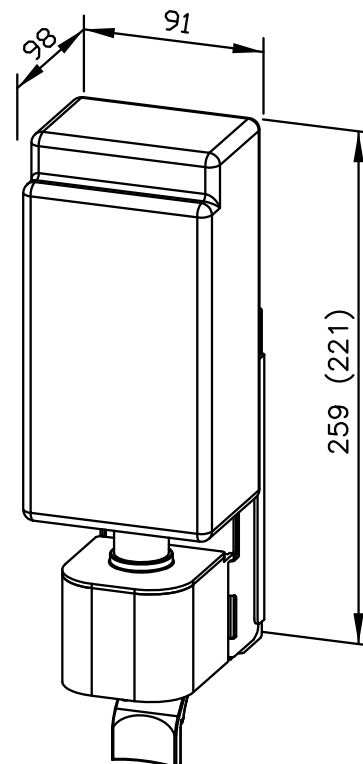


Suggested text for specifications:

Liquid soap dispenser in stainless steel (AISI 316L) for mounting behind fixed mirror. One-hand operated and non-drip soap pump. Designed for standard 500 ml or 950 ml disposable bottles of liquid soap or hand lotion. Accessible for refilling through spring stop pin and by removing from below. Delivery includes fixing material, self-adhesive information label „Soap“ and first fill with soap.

Dimensions: 91 x 259(221) x 98 mm

Article No. WP174-2



Options	ID No.
Plug-in tank 850 ml	937 201
Available surface	ID No.
satin finished	727 036

Ernst Wagner GmbH & Co. KG

Ernst-Abbe-Straße 21 · D-72770 Reutlingen · Tel.: +49712151539-0 · Fax: -20
info@wagner-ewar.de · www.wagner-ewar.de

WAGNER
EWAR

FOAM SOAP DISPENSER WP174-5 FOR MOUNTING BEHIND FIXED MIRROR



69 x 250 x 127 mm

400 ml foam soap concentrate

- Foam soap dispenser in robust, germ-reducing and easy-care stainless steel (AISI 316L).
- For mounting behind fixed mirror on site.
- One-hand operated and non-drip foam soap pump.
- Designed for standard 400 ml foam soap concentrate. Accessible for refilling through spring stop pin and by removing from below.
- Wear parts can be replaced as modules.
- Mounting: With two screws through key holes and one optional anti-theft hole in the back wall.
Depth of substructure installation: min. 160 mm
Height above vanity unit: min. 250 mm
- Delivery includes fixing material, self-adhesive information label „Soap“ and first fill with foam soap concentrate.
- Weight, including single package: 1.1 kg

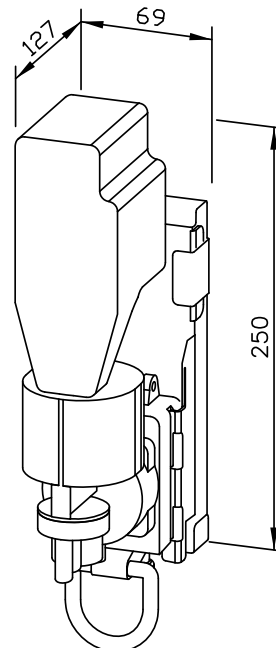


Suggested text for specifications:

Foam soap dispenser in stainless steel (AISI 316L) for mounting behind fixed mirror. One-hand operated and non-drip foam soap pump. Designed for standard 400 ml foam soap concentrate. Accessible for refilling through spring stop pin and by removing from below. Delivery includes fixing material, self-adhesive information label „Soap“ and first fill with foam soap concentrate.

Dimensions: 69 x 250 x 127 mm

Article No. WP174-5



Available surface	ID No.
satin finished	727 048

Ernst Wagner GmbH & Co. KG

Ernst-Abbe-Straße 21 · D-72770 Reutlingen · Tel.: +49712151539-0 · Fax: -20
info@wagner-ewar.de · www.wagner-ewar.de

WAGNER
EWAR

DISINFECTANT DISPENSER WP174-7 FOR MOUNTING BEHIND FIXED MIRROR



71 x 230 x 121 mm
950 ml tank

- Disinfectant dispenser in robust, germ-reducing and easy-care stainless steel (AISI 316L).
- For mounting behind fixed mirror on site.
- One-hand operation disinfectant pump with 950 ml tank.
- Tank with large, lockable refill opening.
- Designed for standard disinfectants for hands. Accessible for refilling through spring stop pin and by removing from below.
- Wear parts can be replaced as modules.
- Mounting: With two screws through key holes and one optional anti-theft hole in the back wall.
Depth of substructure installation: min. 160 mm
Height above vanity unit: min. 280 mm
- Delivery includes fixing material and self-adhesive information label „Disinfectant“.
- Weight, including single package: 0.7 kg

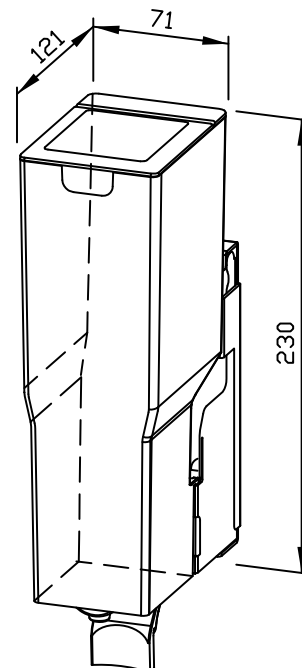


Suggested text for specifications:

Disinfectant dispenser in stainless steel (AISI 316L) for mounting behind fixed mirror. One-hand operation disinfectant pump with 950 ml tank. Designed for standard disinfectants for hands. Accessible for refilling through spring stop pin and by removing from below. Delivery includes fixing material and self-adhesive information label „Disinfectant“.

Dimensions: 71 x 230 x 121 mm

Article No. WP174-7



Available surface	ID No.
satin finished	727 049

Ernst Wagner GmbH & Co. KG

Ernst-Abbe-Straße 21 · D-72770 Reutlingen · Tel.: +49712151539-0 · Fax: -20
info@wagner-ewar.de · www.wagner-ewar.de

WAGNER
EWAR

SENSOR LIQUID SOAP DISPENSER WP174E FOR MOUNTING BEHIND FIXED MIRROR



86 x 207 x 148 mm

200 ml soap tank

- Sensor liquid soap dispenser in robust, germ-reducing and easy-care stainless steel (AISI 316L).
- For mounting behind fixed mirror on site.
- With EWAR® eModule touch-free operated and non-drip soap pump with 200 ml tank.
- Tank with large, lockable refill opening.
- Designed for standard liquid soaps or hand lotions. Accessible for refilling through spring stop pin and by removing from below.
- eModule battery-powered with two 1.5 V Baby/LR14 batteries. Power supply available as an option.
- Wear parts can be replaced as modules.
- Mounting: With two screws through key holes and one optional anti-theft hole in the back wall. Depth of substructure installation: min. 185 mm Height above vanity unit: min. 200 mm
- Delivery includes fixing material and self-adhesive information label „Soap“.
- Weight, including single package: 0.9 kg

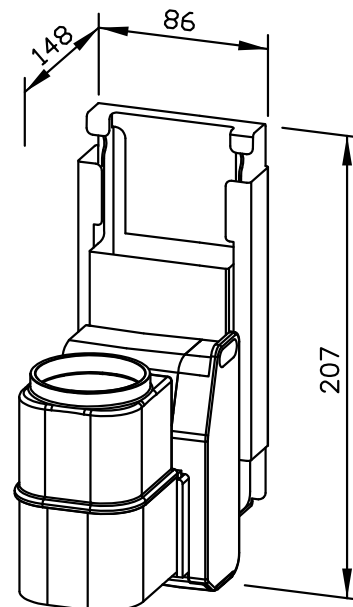


Suggested text for specifications:

Sensor liquid soap dispenser in stainless steel (AISI 316L) for mounting behind fixed mirror. With touch-free operated and non-drip soap pump with 200 ml tank. Designed for standard liquid soaps or hand lotions. Accessible for refilling through spring stop pin and by removing from below. Delivery includes fixing material, batteries and self-adhesive information label „Soap“.

Dimensions: 86 x 207 x 148 mm

Article No. WP174e



Options	ID No.
Power supply for eModule	923 060

Available surface	ID No.
satin finished	727 038

Ernst Wagner GmbH & Co. KG

Ernst-Abbe-Straße 21 · D-72770 Reutlingen · Tel.: +49712151539-0 · Fax: -20
info@wagner-ewar.de · www.wagner-ewar.de

WAGNER
EWAR

SENSOR LIQUID SOAP DISPENSER WP174E-2 FOR MOUNTING BEHIND FIXED MIRROR



86 x 287(248) x 148 mm

500 ml or 950 ml soap bottle or 850 ml plug-in tank

- Sensor liquid soap dispenser in robust, germ-reducing and easy-care stainless steel (AISI 316L).
- For mounting behind fixed mirror on site.
- With EWAR® eModule touch-free operated and non-drip soap pump.
- Designed for standard 500 ml or 950 ml disposable bottles of liquid soap or hand lotion. Accessible for refilling through spring stop pin and by removing from below.
- Also refillable with large container using the plug-in tank as an option.
- eModule battery-powered with two 1.5 V Baby/LR14 batteries. Power supply available as an option.
- Wear parts can be replaced as modules.
- Mounting: With two screws through key holes and one optional anti-theft hole in the back wall. Depth of substructure installation: min. 185 mm Height above vanity unit: min. 250(280) mm
- Delivery includes fixing material, batteries, self-adhesive information label „Soap“ and first fill with soap.
- Weight, including single package: 1.9 kg



Suggested text for specifications:

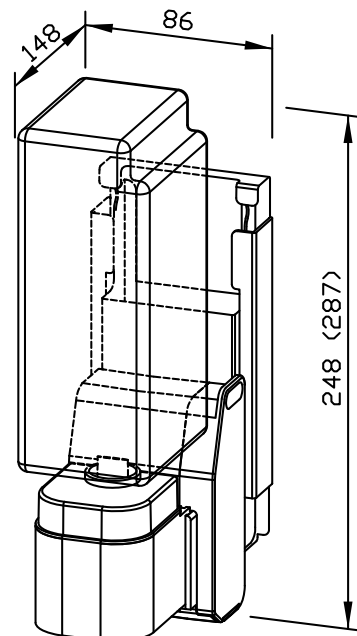
Sensor liquid soap dispenser in stainless steel (AISI 316L) for mounting behind fixed mirror. With touch-free operated and non-drip soap pump. Designed for standard 500 ml or 950 ml disposable bottles of liquid soap or hand lotion. Accessible for refilling through spring stop pin and by removing from below. Delivery includes fixing material, batteries, self-adhesive information label „Soap“ and first fill with soap.

Dimensions: 86 x 287(248) x 148 mm

Article No. WP174e-2

Options	ID No.
Plug-in tank 850 ml	937 201
Power supply for eModule	923 060

Available surface	ID No.
satin finished	727 039



Ernst Wagner GmbH & Co. KG

Ernst-Abbe-Straße 21 · D-72770 Reutlingen · Tel.: +49712151539-0 · Fax: -20
info@wagner-ewar.de · www.wagner-ewar.de

WAGNER
EWAR

SENSOR-DISINFECTANT DISPENSER WP174E-7 FOR MOUNTING BEHIND FIXED MIRROR



86 x 242 x 150 mm

950 ml tank

- Sensor disinfectant dispenser in robust, germ-reducing and easy-care stainless steel (AISI 316L).
- For mounting behind fixed mirror on site.
- With EWAR® eModule touch-free operated disinfectant pump with 950 ml tank.
- Tank with large, lockable refill opening.
- Designed for standard disinfectants for hands. Accessible for refilling through spring stop pin and by removing from below.
- eModule battery-powered with two 1.5 V Baby/LR14 batteries. Power supply available as an option.
- Wear parts can be replaced as modules.
- Mounting: With two screws through key holes and one optional anti-theft hole in the back wall. Depth of substructure installation: min. 185 mm Height above vanity unit: min. 270 mm
- Delivery includes fixing material, batteries and self-adhesive information label „Disinfectant“.
- Weight, including single package: 1.0 kg

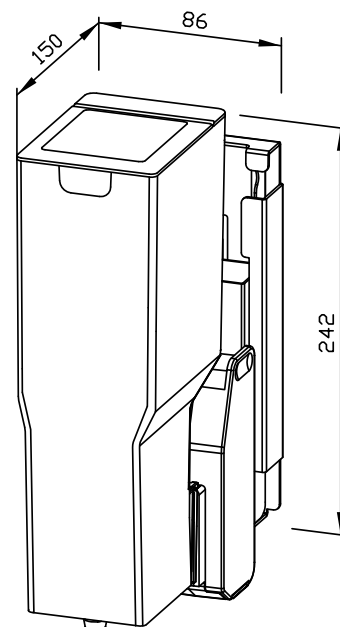


Suggested text for specifications:

Sensor disinfectant dispenser in stainless steel (AISI 316L) for mounting behind fixed mirror. With touch-free operated disinfectant pump with 950 ml tank. Designed for standard disinfectants for hands. Accessible for refilling through spring stop pin and by removing from below. Delivery includes fixing material, batteries and self-adhesive information label „Disinfectant“.

Dimensions: 86 x 242 x 150 mm

Article No. WP174e-7



Options	ID No.
Power supply for eModule	923 060
Available surface	ID No.
satın finished	727 046

Ernst Wagner GmbH & Co. KG

Ernst-Abbe-Straße 21 · D-72770 Reutlingen · Tel.: +49712151539-0 · Fax: -20
info@wagner-ewar.de · www.wagner-ewar.de

WAGNER
EWAR

PAPER TOWEL DISPENSER FOR MOUNTING IN CABINET WP175



298 x 298 x 121 mm

approx. 500 paper towels

- Paper towel dispenser in robust, germ-reducing and easy-care stainless steel (AISI 304).
- For mounting in cabinet on site.
- All-stainless steel housing; visible surfaces satin finished and brushed.
- With deep-drawn paper removal opening for easy paper removal.
- Designed for approx. 500 standard paper towels in zigzag fold.
Paper size (folded): 240-250 mm x 100-115 mm.
Refillable from the top.
- Mounting: With four screws through key holes and one optional anti-theft hole in the back wall.
- Delivery includes fixing material, self-adhesive information label „Paper“ and one pack of paper towels.
- Weight, including single package: 2.4 kg

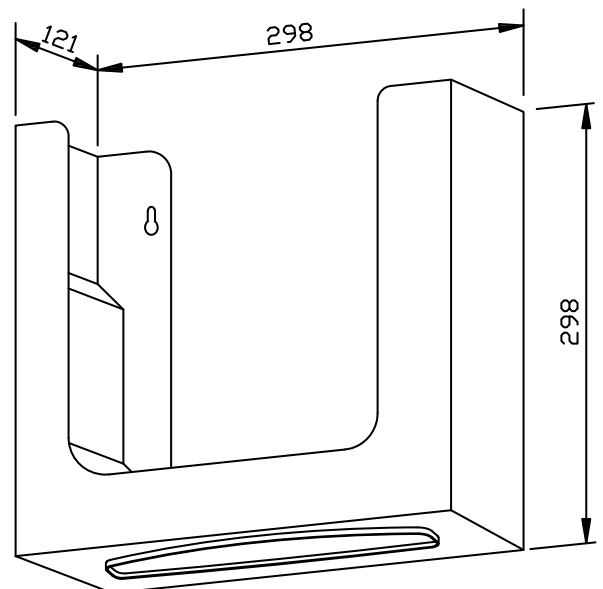


Suggested text for specifications:

Paper towel dispenser in stainless steel (AISI 304) for mounting in cabinet. All-stainless steel housing; visible surfaces satin finished and brushed. With deep-drawn paper removal opening, filling quantity approx. 500 paper towels. Refillable from the top. Delivery includes fixing material, self-adhesive information label „Paper“ and one pack of paper towels.

Dimensions: 298 x 298 x 121 mm

Article No. WP175



Available surface	ID No.
satin finished	727 055

Ernst Wagner GmbH & Co. KG

Ernst-Abbe-Straße 21 · D-72770 Reutlingen · Tel.: +49712151539-0 · Fax: -20
info@wagner-ewar.de · www.wagner-ewar.de

WAGNER
EWAR

PAPER TOWEL DISPENSER FOR MOUNTING BEHIND FIXED MIRROR WP176



298 x 360 x 120 mm

approx. 500 paper towels

- Paper towel dispenser in robust, germ-reducing and easy-care stainless steel (AISI 304).
- For mounting behind fixed mirror on site.
- All-stainless steel housing; all corners fully welded, visible surfaces satin finished and brushed.
- With deep-drawn paper removal opening for easy paper removal.
- Designed for approx. 500 standard paper towels in zigzag fold.
Paper size (folded): 240-250 mm x 100-115 mm.
Accessible for refilling through spring-clip flap from below.
- Mounting: With four screws.
Depth of substructure installation: min. 120 mm.
Height above vanity unit: min. 160 mm.
- Delivery includes fixing material, self-adhesive information label „Paper“ and one pack of paper towels.
- Weight, including single package: 4.1 kg

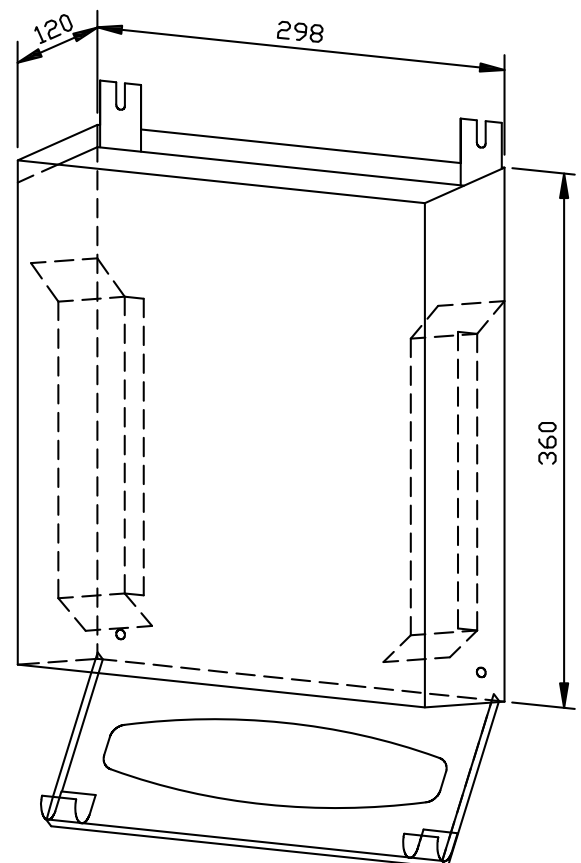


Suggested text for specifications:

Paper towel dispenser in stainless steel (AISI 304) for mounting behind fixed mirror. All-stainless steel housing; all corners fully welded, visible surfaces satin finished and brushed. With deep-drawn paper removal opening, filling quantity approx. 500 paper towels. Accessible for refilling through spring-clip flap from below. Delivery includes fixing material, self-adhesive information label „Paper“ and one pack of paper towels.

Dimensions: 298 x 360 x 120 mm

Article No. WP176



Available surface

satin finished

ID No.

727 060

Ernst Wagner GmbH & Co. KG

Ernst-Abbe-Straße 21 · D-72770 Reutlingen · Tel.: +49712151539-0 · Fax: -20
info@wagner-ewar.de · www.wagner-ewar.de

WAGNER
EWAR

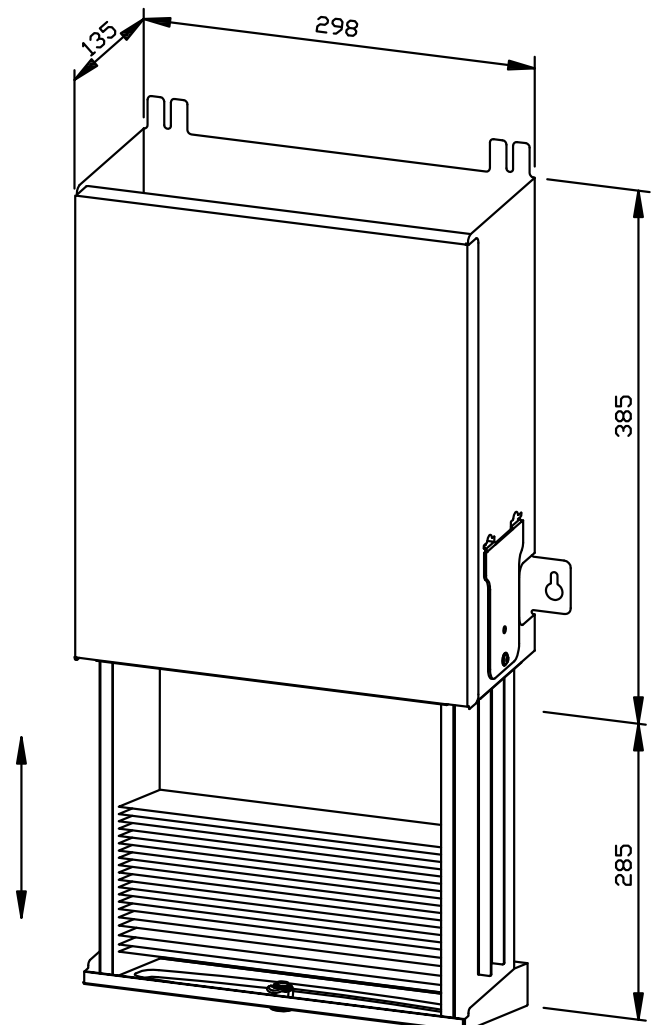
PAPER TOWEL DISPENSER, LOCKABLE WITH DRAWER FOR MOUNTING BEHIND FIXED MIRROR WP176-1



298 x 385 x 135 mm

approx. 500 paper towels

- Paper towel dispenser in robust, germ-reducing and easy-care stainless steel (AISI 304).
- For mounting behind fixed mirror on site.
- All-stainless steel housing; all corners fully welded, visible surfaces satin finished and brushed.
- With deep-drawn paper removal opening for easy paper removal.
- Designed for approx. 500 standard paper towels in zigzag fold.
Paper size (folded): 240-250 mm x 100-115 mm.
Accessible for refilling from the front through lockable drawer that can be pulled out downwards.
- Keyed alike cylinder lock in corrosion-resistant zinc die-casting.
- Wear parts can be replaced as modules.
- Mounting: With four screws.
Depth of substructure installation: min. 140 mm.
Height above vanity unit: min. 285 mm.
- Delivery includes fixing material, self-adhesive information label „Paper“ and one pack of paper towels.
- Weight, including single package: 6.0 kg



Suggested text for specifications:

Paper towel dispenser in stainless steel (AISI 304) for mounting behind fixed mirror. All-stainless steel housing; all corners fully welded, visible surfaces satin finished and brushed. With deep-drawn paper removal opening, filling quantity approx. 500 paper towels. Accessible for refilling from the front through lockable drawer that can be pulled out downwards. Keyed alike cylinder lock in corrosion-resistant zinc die-casting. Delivery includes fixing material, self-adhesive information label „Paper“ and one pack of paper towels.

Dimensions: 298 x 385 x 135 mm

Article No. WP176-1

Available surface	ID No.
satin finished	727 065

Ernst Wagner GmbH & Co. KG

Ernst-Abbe-Straße 21 · D-72770 Reutlingen · Tel.: +49712151539-0 · Fax: -20
info@wagner-ewar.de · www.wagner-ewar.de

WAGNER
EWAR

HYGIENE WASTE BIN WITH SANITARY BAG DISPENSER WP177



220 x 250 x 115 mm

Capacity approx. 4 l

- Hygiene waste bin with sanitary bag dispenser in robust, germ-reducing and easy-care stainless steel (AISI 304).
- All-stainless steel housing; visible surfaces satin finished and brushed.
Further available surfaces: see below.
- Equipped with removable hygiene bin. Capacity approx. 4 l.
- Sanitary bag dispenser integrated on the side.
Designed for one standard box of plastic sanitary bags with dimensions of approx. 118 x 87 x 20 mm.
- Accessible through hinged lid.
- Mounting: With four screws through key holes and one optional anti-theft hole in the back wall.
- Delivery includes fixing material and one box of plastic sanitary bags.
- Weight, including single package: 2.7 kg

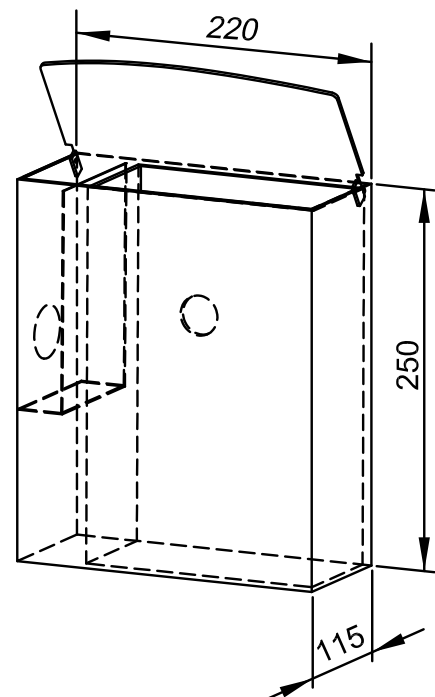


Suggested text for specifications:

Hygiene waste bin with sanitary bag dispenser in stainless steel (AISI 304) for surface mounting. All-stainless steel housing; visible surfaces satin finished and brushed. Equipped with removable hygiene bin. Capacity approx. 4 l. Sanitary bag dispenser integrated on the side. Accessible through hinged lid. Delivery includes fixing material and one box of plastic sanitary bags.

Dimensions: 220 x 250 x 115 mm

Article No. WP177



Available surfaces	ID No.
satin finished (standard)	727 085
highly polished	731 085
(coloured) plastic powder-coating	728 085

Ernst Wagner GmbH & Co. KG

Ernst-Abbe-Straße 21 · D-72770 Reutlingen · Tel.: +49712151539-0 · Fax: -20
info@wagner-ewar.de · www.wagner-ewar.de

WAGNER
EWAR

HYGIENE WASTE BIN WITH SANITARY BAG DISPENSER AND INSERTION SLUICE WITH VANITY FLAP WP177-1



220 x 344 x 115 mm

Capacity approx. 4 l

- Hygiene waste bin with sanitary bag dispenser and insertion sluice with vanity flap in robust, germ-reducing and easy-care stainless steel (AISI 304).
- All-stainless steel housing; visible surfaces satin finished and brushed.
Further available surfaces: see below.
- Equipped with removable hygiene bin. Capacity approx. 4 l.
- Sanitary bag dispenser integrated on the side. Designed for one standard box of plastic sanitary bags with dimensions of approx. 118 x 87 x 20 mm.
- Accessible through hinged lid.
- Mounting: With four screws through key holes and one optional anti-theft hole in the back wall.
- Delivery includes fixing material and one box of plastic sanitary bags.
- Weight, including single package: 3.7 kg

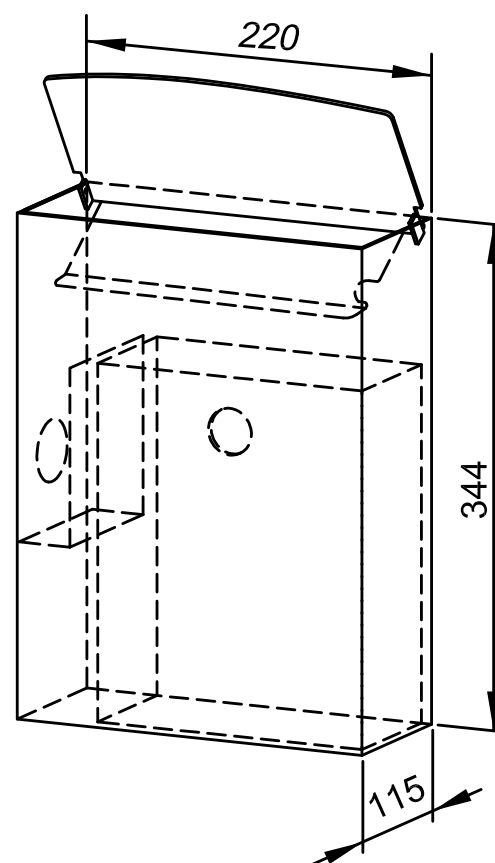


Suggested text for specifications:

Hygiene waste bin with sanitary bag dispenser and insertion sluice with vanity flap in stainless steel (AISI 304) for surface mounting. All-stainless steel housing; visible surfaces satin finished and brushed. Equipped with removable hygiene bin. Capacity approx. 4 l. Sanitary bag dispenser integrated on the side. Accessible through hinged. Delivery includes fixing material and one box of plastic sanitary bags.

Dimensions: 220 x 344 x 115 mm

Article No. WP177-1



Available surfaces	ID No.
satin finished (standard)	727 240
highly polished	732 240
(coloured) plastic powder-coating	729 240

Ernst Wagner GmbH & Co. KG

Ernst-Abbe-Straße 21 · D-72770 Reutlingen · Tel.: +49712151539-0 · Fax: -20
info@wagner-ewar.de · www.wagner-ewar.de

WAGNER
EWAR

HYGIENE WASTE BIN WITH SANITARY BAG DISPENSER WP177-2



300 x 398 x 155 mm

Capacity approx. 12 l

- Hygiene waste bin with sanitary bag dispenser in robust, germ-reducing and easy-care stainless steel (AISI 304).
- All-stainless steel housing; visible surfaces satin finished and brushed.
Further available surfaces: see below.
- Equipped with removable hygiene bin. Capacity approx. 12 l.
- Sanitary bag dispenser integrated on the side. Designed for one standard box of plastic sanitary bags with dimensions of approx. 118 x 87 x 20 mm.
- Accessible through hinged lid.
- Mounting: With four screws through key holes and one optional anti-theft hole in the back wall.
- Delivery includes fixing material and one box of plastic sanitary bags.
- Weight, including single package: 5.6 kg

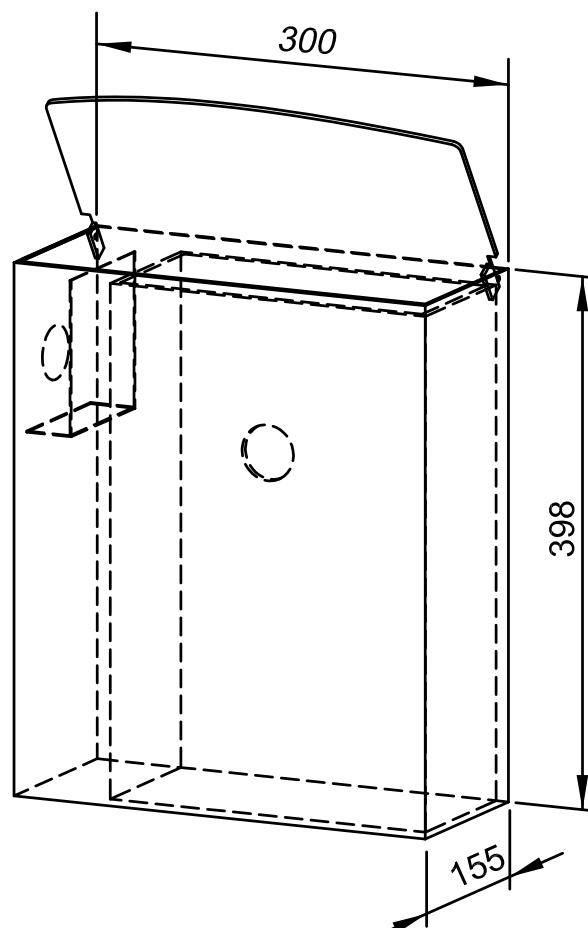


Suggested text for specifications:

Hygiene waste bin with sanitary bag dispenser in stainless steel (AISI 304) for surface mounting. All-stainless steel housing; visible surfaces satin finished and brushed. Equipped with removable hygiene bin. Capacity approx. 12 l. Sanitary bag dispenser integrated on the side. Accessible through hinged lid. Delivery includes fixing material and one box of plastic sanitary bags.

Dimensions: 300 x 398 x 155 mm

Article No. WP177-2



Available surfaces	ID No.
satin finished (standard)	727 340
highly polished	731 340
(coloured) plastic powder-coating	728 340

Ernst Wagner GmbH & Co. KG

Ernst-Abbe-Straße 21 · D-72770 Reutlingen · Tel.: +49712151539-0 · Fax: -20
info@wagner-ewar.de · www.wagner-ewar.de

WAGNER
EWAR

202 x 250 x 115 mm

Capacity approx. 4 l

- Hygiene waste bin in robust, germ-reducing and easy-care stainless steel (AISI 304).
- All-stainless steel housing; visible surfaces satin finished and brushed.
Further available surfaces: see below.
- Equipped with removable hygiene bin. Capacity approx. 4 l.
- Accessible through hinged lid.
- Mounting: With four screws through key holes and one optional anti-theft hole in the back wall.
- Delivery includes fixing material.
- Weight, including single package: 2.4 kg

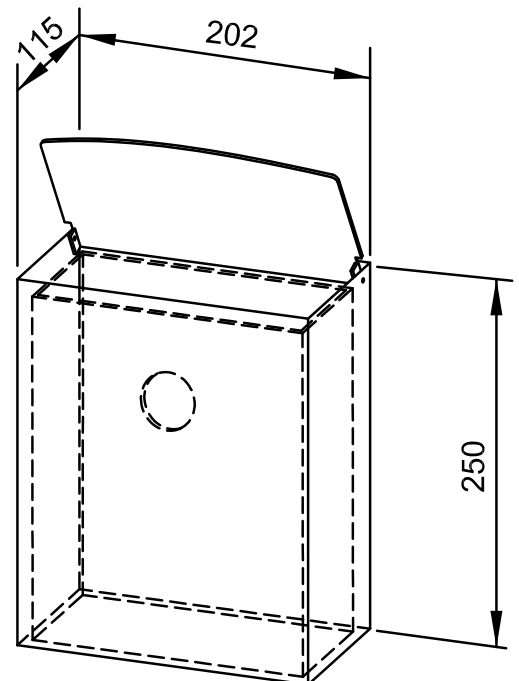


Suggested text for specifications:

Hygiene waste bin in stainless steel (AISI 304) for surface mounting. All-stainless steel housing; visible surfaces satin finished and brushed. Equipped with removable hygiene bin. Capacity approx. 4 l. Accessible through hinged lid. Delivery includes fixing material.

Dimensions: 202 x 250 x 115 mm

Article No. WP179



Available surfaces	ID No.
satin finished (standard)	727 050
highly polished	731 050
(coloured) plastic powder-coating	728 030

HYGIENE-WASTE BIN WITH INSERTION SLUICE AND VANITY FLAP WP179-1



202 x 344 x 115 mm

Capacity approx. 4 l

- Hygiene waste bin with insertion sluice and vanity flap in robust, germ-reducing and easy-care stainless steel (AISI 304).
- All-stainless steel housing; visible surfaces satin finished and brushed.
Further available surfaces: see below.
- Equipped with removable hygiene bin. Capacity approx. 4 l.
- Accessible through hinged lid.
- Mounting: With four screws through key holes and one optional anti-theft hole in the back wall.
- Delivery includes fixing material.
- Weight, including single package: 3.5 kg

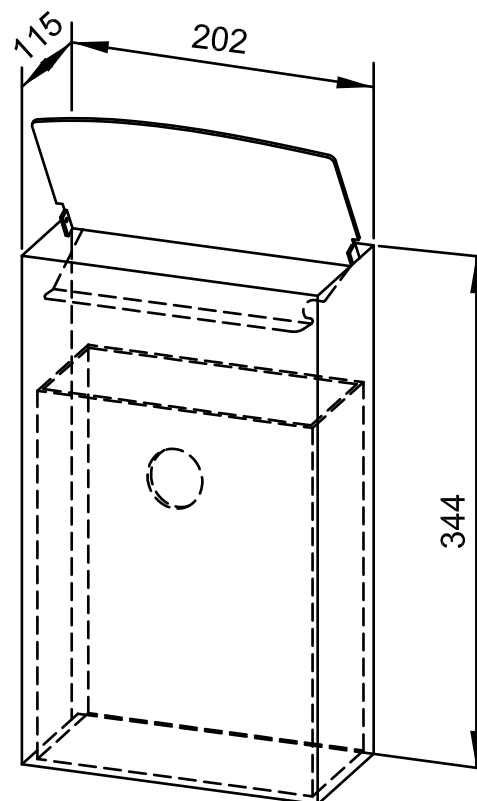


Suggested text for specifications:

Hygiene waste bin with insertion sluice and vanity flap in stainless steel (AISI 304) for surface mounting. All-stainless steel housing; visible surfaces satin finished and brushed. Equipped with removable hygiene bin. Capacity approx. 4 l. Accessible through hinged lid. Delivery includes fixing material.

Dimensions: 202 x 344 x 115 mm

Article No. WP179-1



Available surfaces	ID No.
satin finished (standard)	727 250
highly polished	734 250
(coloured) plastic powder-coating	729 250

Ernst Wagner GmbH & Co. KG

Ernst-Abbe-Straße 21 · D-72770 Reutlingen · Tel.: +49712151539-0 · Fax: -20
info@wagner-ewar.de · www.wagner-ewar.de

WAGNER
EWAR

HYGIENE-WASTE BIN WP179-2



300 x 398 x 155 mm

Capacity approx. 12 l

- Hygiene waste bin with in robust, germ-reducing and easy-care stainless steel (AISI 304).
- All-stainless steel housing; visible surfaces satin finished and brushed.
Further available surfaces: see below.
- Equipped with removable hygiene bin. Capacity approx. 12 l.
- Accessible through hinged lid.
- Mounting: With four screws through key holes and one optional anti-theft hole in the back wall.
- Delivery includes fixing material.
- Weight, including single package: 5.5 kg

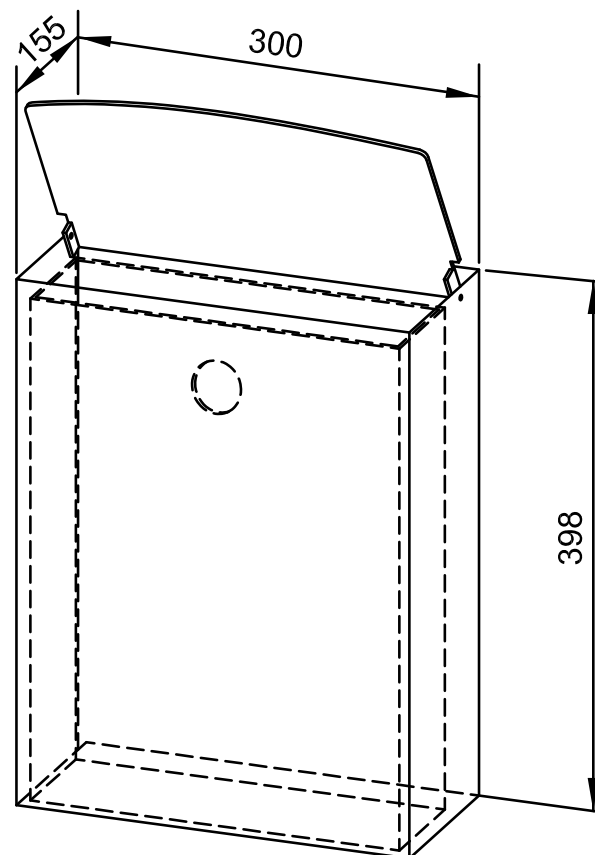


Suggested text for specifications:

Hygiene waste bin in stainless steel (AISI 304) for surface mounting. All-stainless steel housing; visible surfaces satin finished and brushed. Equipped with removable hygiene bin. Capacity approx. 12 l. Accessible through hinged lid. Delivery includes fixing material.

Dimensions: 300 x 398 x 155 mm

Article No. WP179-2



Available surfaces	ID No.
satin finished (standard)	727 350
highly polished	731 350
(coloured) plastic powder-coating	729 350

Ernst Wagner GmbH & Co. KG

Ernst-Abbe-Straße 21 · D-72770 Reutlingen · Tel.: +49712151539-0 · Fax: -20
info@wagner-ewar.de · www.wagner-ewar.de

WAGNER
— EWAR

WASTE BIN WITH DISPOSAL FLAP WP180



298 x 598 x 310 mm
Capacity approx. 36 l

- Waste bin with disposal in robust, germ-reducing and easy-care stainless steel (AISI 304).
- All-stainless steel housing; all corners fully welded, visible surfaces satin finished and brushed. Further available surfaces: see below.
- Equipped with removable mesh basket. Capacity approx. 36 l. Accessible through lockable door. On the top two-part self-closing and flame-retardant disposal flap.
- Also suitable for use as a hygiene waste bin with the optional plastic hygiene bin WP18.
- Keyed alike cylinder lock in corrosion-resistant zinc die-casting.
- Wear parts can be replaced as modules.
- With four rubber feet suitable for floor installation.
- Mounting: With four screws through key holes and one optional anti-theft hole in the back wall.
- Delivery includes fixing material.
- Weight, including single package: 10.9 kg

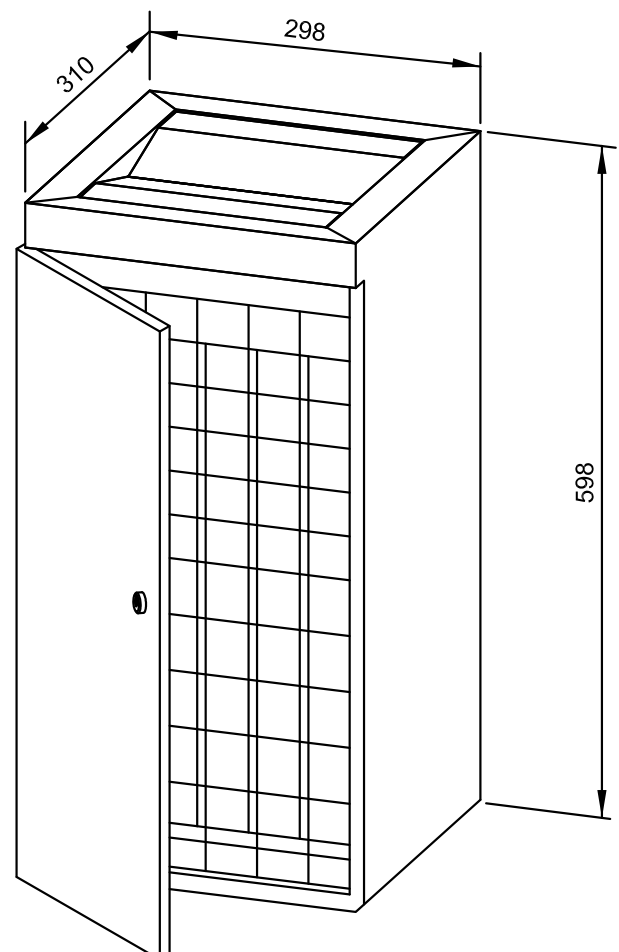


Suggested text for specifications:

Waste bin in stainless steel (AISI 304) for surface mounting or floor installation. All-stainless steel housing; all corners fully welded, visible surfaces satin finished and brushed. Equipped with removable mesh basket. Capacity approx. 36 l. Accessible through lockable door. On the top two-part self-closing and flame-retardant disposal flap. Keyed alike cylinder lock in corrosion-resistant zinc die-casting. Delivery includes fixing material.

Dimensions: 298 x 598 x 310 mm

Article No. WP180



Options

ID No.

Plastic hygiene bin WP18

922 500

Available surfaces

ID No.

satin finished (standard)

769 048

highly polished

731 048

(coloured) plastic powder-coating

728 048

Ernst Wagner GmbH & Co. KG

Ernst-Abbe-Straße 21 · D-72770 Reutlingen · Tel.: +49712151539-0 · Fax: -20
info@wagner-ewar.de · www.wagner-ewar.de

WAGNER
EWAR

WASTE BIN WP181



298 x 598 x 310 mm
Capacity approx. 36 l

- Waste bin in robust, germ-reducing and easy-care stainless steel (AISI 304).
- All-stainless steel housing; all corners fully welded, visible surfaces satin finished and brushed. Further available surfaces: see below.
- Equipped with removable mesh basket. Capacity approx. 36 l. Accessible through lockable door.
- Also suitable for use as a hygiene waste bin with the optional plastic hygiene bin WP18.
- Keyed alike cylinder lock in corrosion-resistant zinc die-casting.
- Wear parts can be replaced as modules.
- With four rubber feet suitable for floor installation.
- Mounting: With four screws through key holes and one optional anti-theft hole in the back wall.
- Delivery includes fixing material.
- Weight, including single package: 9.4 kg

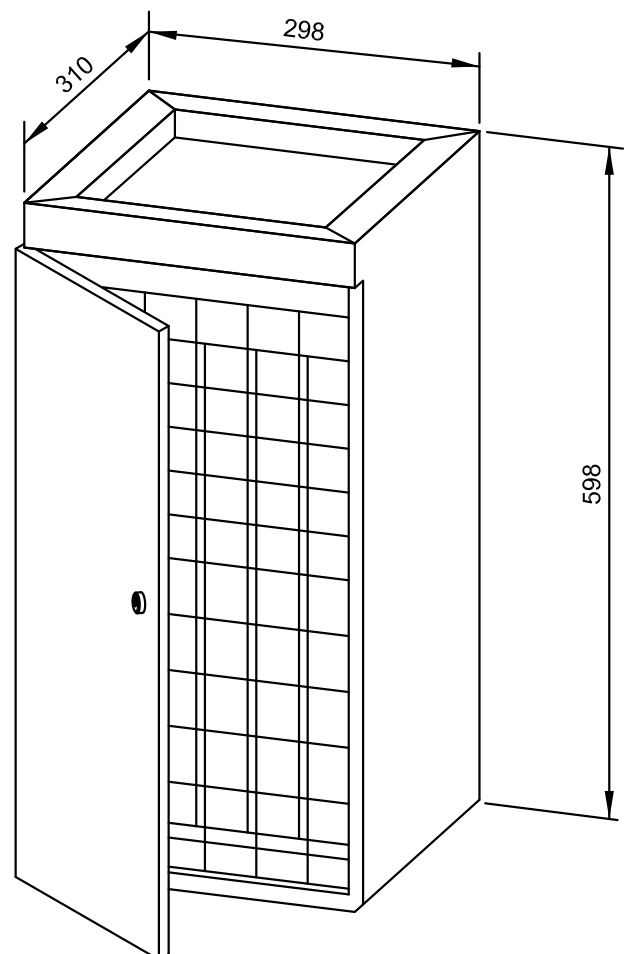


Suggested text for specifications:

Waste bin in stainless steel (AISI 304) for surface mounting or floor installation. All-stainless steel housing; all corners fully welded, visible surfaces satin finished and brushed. Equipped with removable mesh basket. Capacity approx. 36 l. Accessible through lockable door. Keyed alike cylinder lock in corrosion-resistant zinc die-casting. Delivery includes fixing material.

Dimensions: 298 x 598 x 310 mm

Article No. WP181



Options	ID No.
Plastic hygiene bin WP18	922 500

Available surfaces	ID No.
satin finished (standard)	769 047
highly polished	731 047
(coloured) plastic powder-coating	728 047

Ernst Wagner GmbH & Co. KG

Ernst-Abbe-Straße 21 · D-72770 Reutlingen · Tel.: +49712151539-0 · Fax: -20
info@wagner-ewar.de · www.wagner-ewar.de

WAGNER
EWAR

400 x 600 x 250 mm

Capacity approx. 60 l

- Waste bin in robust, germ-reducing and easy-care stainless steel (AISI 304).
- All-stainless steel housing; visible surfaces satin finished and brushed. Further available surfaces: see below.
- Equipped with removable fabric stand bag in polypropylene, washable. Capacity approx. 60 l.
- Fabric stand bag replaces garbage bag.
- With four rubber feet suitable for floor installation.
- Mounting: With two screws through key holes and one optional anti-theft hole in the back wall.
- Delivery includes fixing material.
- Weight, including single package: 7.4 kg

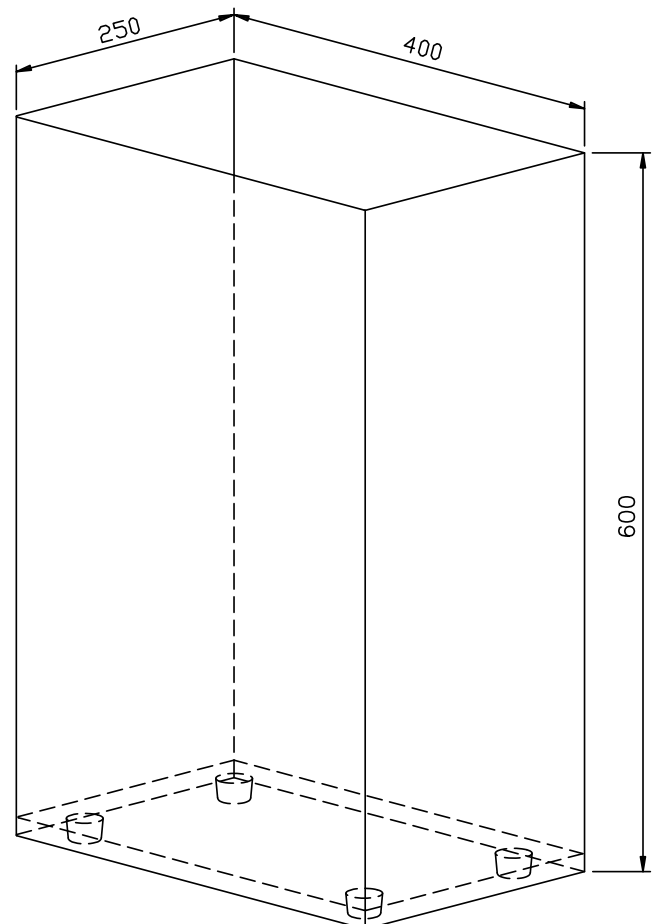


Suggested text for specifications:

Waste bin in stainless steel (AISI 304) for surface mounting or floor installation. All-stainless steel housing; visible surfaces satin finished and brushed. Equipped with removable fabric stand bag in polypropylene, washable. Capacity approx. 60 l. Delivery includes fixing material.

Dimensions: 400 x 600 x 250 mm

Article No. WP183



Available surfaces	ID No.
satin finished (standard)	727 690
highly polished	731 690
(coloured) plastic powder-coating	728 690

WASTE BIN WITH WALL RAIL WP188



298 x 448 x 300 mm

Capacity approx. 40 l

- Waste bin with wall rail in robust, germ-reducing and easy-care stainless steel (AISI 304).
- All-stainless steel housing; visible surfaces satin finished and brushed.
Further available surfaces: see below.
- Capacity approx. 40 l. Accessible by pulling out on the wall rail. Waste disposal from above through an optional waste disposal ring or flap.
- Mounting (wall rail): With four screws through key holes and one optional anti-theft hole.
- Delivery includes fixing material.
- Weight, including single package: 6.1 kg

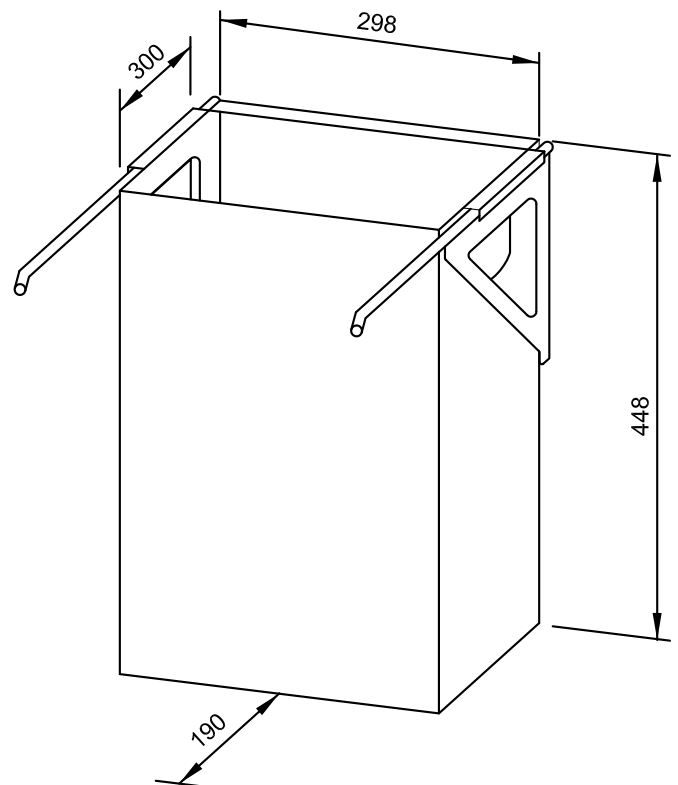


Suggested text for specifications:

Waste bin with wall rail in stainless steel (AISI 304) for under-counter mounting. All-stainless steel housing; all corners fully welded, visible surfaces satin finished and brushed. Capacity approx. 40 l. Accessible by pulling out on the wall rail. Waste disposal from above through an optional waste disposal ring or flap. Delivery includes fixing material.

Dimensions: 298 x 448 x 300 mm

Article No. WP188



Options	ID No.
Waste disposal ring	727 080

Available surfaces	ID No.
satin finished (standard)	727 615
highly polished	731 615
(coloured) plastic powder-coating	728 615

Ernst Wagner GmbH & Co. KG

Ernst-Abbe-Straße 21 · D-72770 Reutlingen · Tel.: +49712151539-0 · Fax: -20
info@wagner-ewar.de · www.wagner-ewar.de

WAGNER
EWAR

TABLETOP SOAP DISPENSER, LOCKABLE WP189-1



65 x 359 x 120 mm
chrome-plated brass

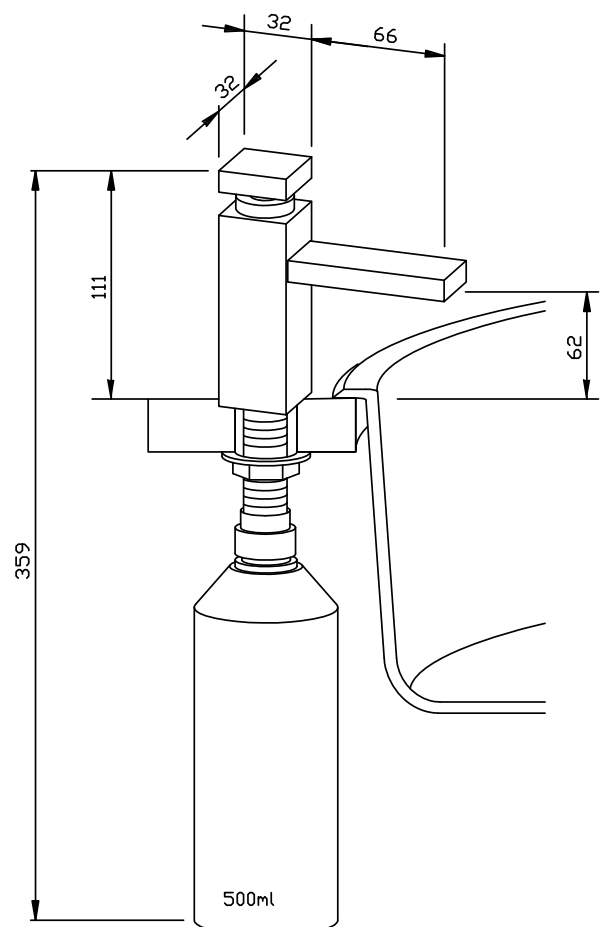
- Tabletop soap dispenser, lockable, in chrome-plated brass.
- Solid body in brass; visible surfaces high-gloss chrome-plated.
- Design height: 111 mm
Outlet height: 62 mm
Projection: 66 mm
- Non-drip soap pump with 500 ml soap container in plastics and pressure valve in brass.
- Also available with 1000 ml containers in plastics.
- 500 ml container in stainless steel as an option for a surcharge.
- Designed for standard liquid soaps.
- Refillable from above by unscrewing the top part, secured with hexagon socket screw.
- Wear parts can be replaced as modules.
- Installation dimensions: \varnothing 22-26 mm, surface thickness max. 40 mm.
- Mounting: With one counternut.
- Delivery includes fixing material.
- Weight, including single package: 1.2 kg



Suggested text for specifications:

Tabletop soap dispenser, lockable, in chrome-plated brass for counter mounting. Solid body in brass; visible surfaces high-gloss chrome-plated. Non-drip soap pump with 500 ml soap container in plastics and pressure valve in brass. Designed for standard liquid soaps. Refillable from above by unscrewing the top part, secured with hexagon socket screw. Delivery includes fixing material.

Dimensions: (with container) 65 x 359 x 130 mm
Design height: 111 mm
Outlet height: 62 mm
Projection: 66 mm
Article No. WP189-1



Available surface	ID No.
chrome-plated	923 375

Ernst Wagner GmbH & Co. KG

Ernst-Abbe-Straße 21 · D-72770 Reutlingen · Tel.: +49712151539-0 · Fax: -20
info@wagner-ewar.de · www.wagner-ewar.de

WAGNER
EWAR

TABLETOP SOAP DISPENSER, LOCKABLE WP189-3



65 x 359 x 120 mm

stainless steel

- Tabletop soap dispenser, lockable, in robust, germ-reducing and easy-care stainless steel (AISI 316L).
- Solid stainless steel body; visible surfaces satin finished. Further available surfaces: see below
- Design height: 111 mm
Outlet height: 62 mm
Projection: 66 mm
- Non-drip soap pump with 500 ml soap container in plastics and pressure valve in stainless steel.
- Also available with 1000 ml containers in plastics.
- 500 ml container in stainless steel as an option for a surcharge.
- Designed for standard liquid soaps.
- Refillable from above by unscrewing the top part, secured with hexagon socket screw.
- Wear parts can be replaced as modules.
- Installation dimensions: \varnothing 22-26 mm, surface thickness max. 40 mm.
- Mounting: With one counternut.
- Delivery includes fixing material.
- Weight, including single package: 1.3 kg



Suggested text for specifications:

Tabletop soap dispenser, lockable, in stainless steel (AISI 316L) for counter mounting. Solid stainless steel body; visible surfaces satin finished. Non-drip soap pump with 500 ml soap container in plastics and pressure valve in stainless steel. Designed for standard liquid soaps. Refillable from above by unscrewing the top part, secured with hexagon socket screw. Delivery includes fixing material.

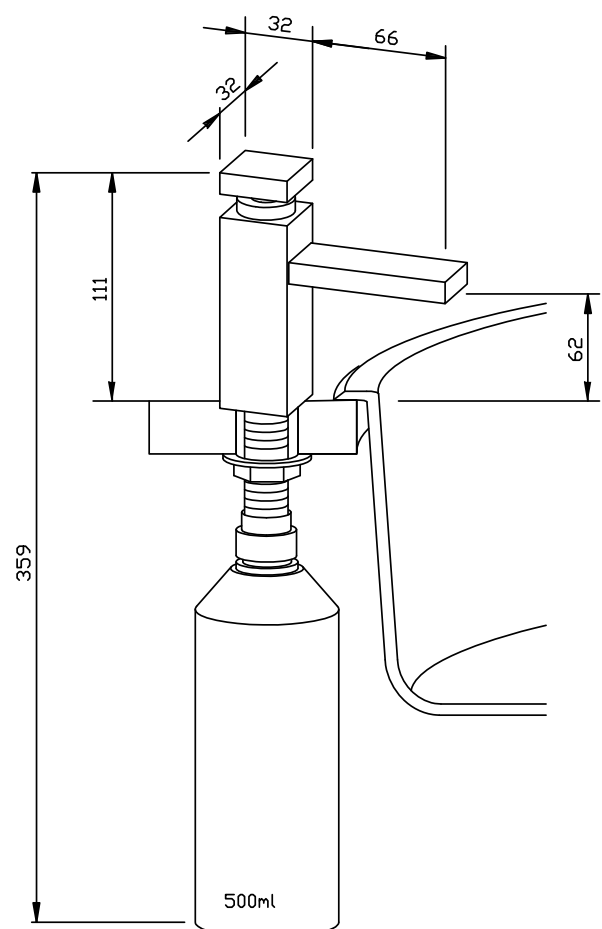
Dimensions: (with container) 65 x 359 x 130 mm

Design height: 111 mm

Outlet height: 62 mm

Projection: 66 mm

Article No. WP189-3



Available surfaces

ID No.

satin finished (standard)

923 376

highly polished

931 376

Ernst Wagner GmbH & Co. KG

Ernst-Abbe-Straße 21 · D-72770 Reutlingen · Tel.: +49712151539-0 · Fax: -20
info@wagner-ewar.de · www.wagner-ewar.de

WAGNER
EWAR

TABLETOP SOAP DISPENSER WP190



Ø 65 x 312 x 130 mm

chrome-plated brass

- Tabletop soap dispenser in chrome-plated brass.
- Solid body in brass; visible surfaces high-gloss chrome-plated.
- Design height: 64 mm
Outlet height: 28 mm
Projection: 62 mm
- Non-drip soap pump with 500 ml soap container in plastics and pressure valve in brass.
- Also available with 1000 ml containers in plastics.
- 500 ml container in stainless steel as an option for a surcharge.
- Designed for standard liquid soaps.
- Refillable from above by unscrewing the top part.
- Wear parts can be replaced as modules.
- Installation dimensions: Ø 22-26 mm, surface thickness max. 40 mm.
- Mounting: With one counternut.
- Delivery includes fixing material.
- Weight, including single package: 0.9 kg



Suggested text for specifications:

Tabletop soap dispenser in chrome-plated brass for counter mounting. Solid body in brass; visible surfaces high-gloss chrome-plated. Non-drip soap pump with 500 ml soap container in plastics and pressure valve in brass. Designed for standard liquid soaps. Refillable from above by unscrewing the top part. Delivery includes fixing material.

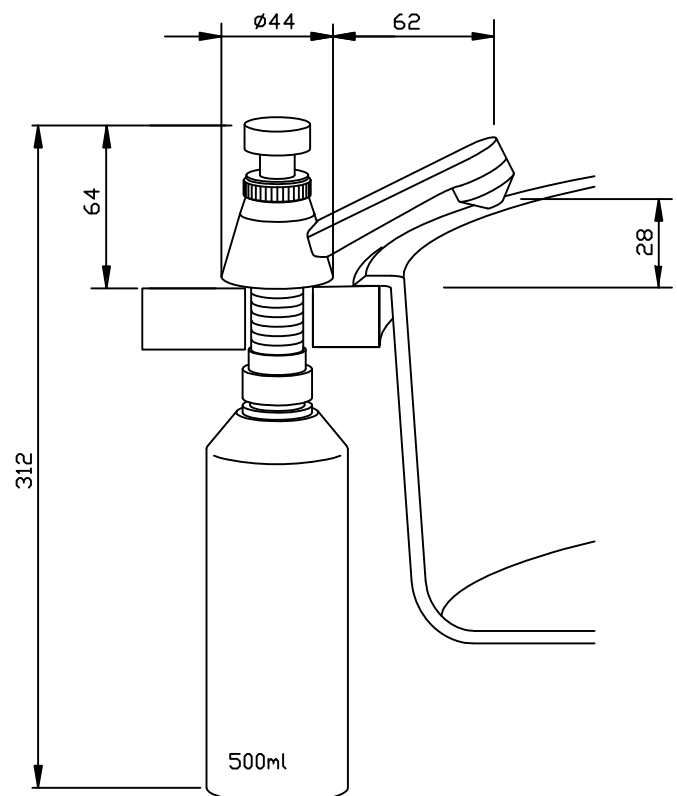
Dimensions: (with container) 65 x 312 x 130 mm

Design height: 64 mm

Outlet height: 28 mm

Projection: 62 mm

Article No. WP190



Available surface	ID No.
chrome-plated	923 368

Ernst Wagner GmbH & Co. KG

Ernst-Abbe-Straße 21 · D-72770 Reutlingen · Tel.: +49712151539-0 · Fax: -20
info@wagner-ewar.de · www.wagner-ewar.de

WAGNER
EWAR

TABLETOP SOAP DISPENSER WP191-1



Ø 68 x 310 x 130 mm

chrome-plated brass

- Tabletop soap dispenser in chrome-plated brass.
- Solid body in brass; visible surfaces high-gloss chrome-plated.
- Design height: 62 mm
Outlet height: 37 mm
Projection: 74 mm
- Non-drip soap pump with 500 ml soap container in plastics and pressure valve in brass.
- Also available with 1000 ml containers in plastics.
- 500 ml container in stainless steel as an option for a surcharge.
- Designed for standard liquid soaps.
- Refillable from above by unscrewing the top part.
- Wear parts can be replaced as modules.
- Installation dimensions: Ø 22-26 mm, surface thickness max. 40 mm.
- Mounting: With one counternut.
- Delivery includes fixing material.
- Weight, including single package: 0.8 kg



Suggested text for specifications:

Tabletop soap dispenser in chrome-plated brass for counter mounting. Solid body in brass; visible surfaces high-gloss chrome-plated. Non-drip soap pump with 500 ml soap container in plastics and pressure valve in brass. Designed for standard liquid soaps. Refillable from above by unscrewing the top part. Delivery includes fixing material.

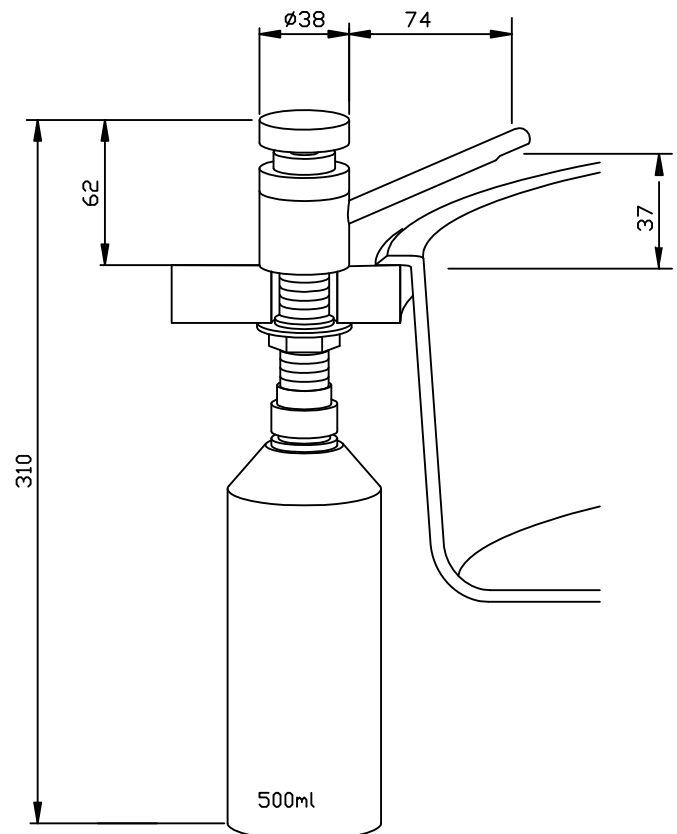
Dimensions: (with container) 65 x 310 x 130 mm

Design height: 62 mm

Outlet height: 37 mm

Projection: 74 mm

Article No. WP191-1



Options	ID No.
Washer / rosette	923 160

Available surface	ID No.
chrome-plated	923 942

Ernst Wagner GmbH & Co. KG

Ernst-Abbe-Straße 21 · D-72770 Reutlingen · Tel.: +49712151539-0 · Fax: -20
info@wagner-ewar.de · www.wagner-ewar.de

WAGNER
EWAR

TABLETOP SOAP DISPENSER WP191-3



Ø 68 x 310 x 130 mm

stainless steel

- Tabletop soap dispenser in robust, germ-reducing and easy-care stainless steel (AISI 316L).
- Solid stainless steel body; visible surfaces satin finished. Further available surfaces: see below.
- Design height: 62 mm
Outlet height: 37 mm
Projection: 74 mm
- Non-drip soap pump with 500 ml soap bottle in plastics and pressure valve in stainless steel.
- Also available with 1000 ml containers in plastics.
- 500 ml container in stainless steel as an option for a surcharge.
- Designed for standard liquid soaps.
- Refillable from above by unscrewing the top part.
- Wear parts can be replaced as modules.
- Installation dimensions: Ø 22-26 mm, surface thickness max. 40 mm.
- Mounting: With one counternut.
- Delivery includes fixing material.
- Weight, including single package: 0.8 kg



Suggested text for specifications:

Tabletop soap dispenser in stainless steel (AISI 316L) for counter mounting. Solid stainless steel body; visible surfaces satin finished. Non-drip soap pump with 500 ml soap bottle in plastics and pressure valve in stainless steel. Designed for standard liquid soaps. Refillable from above by unscrewing the top part. Delivery includes fixing material.

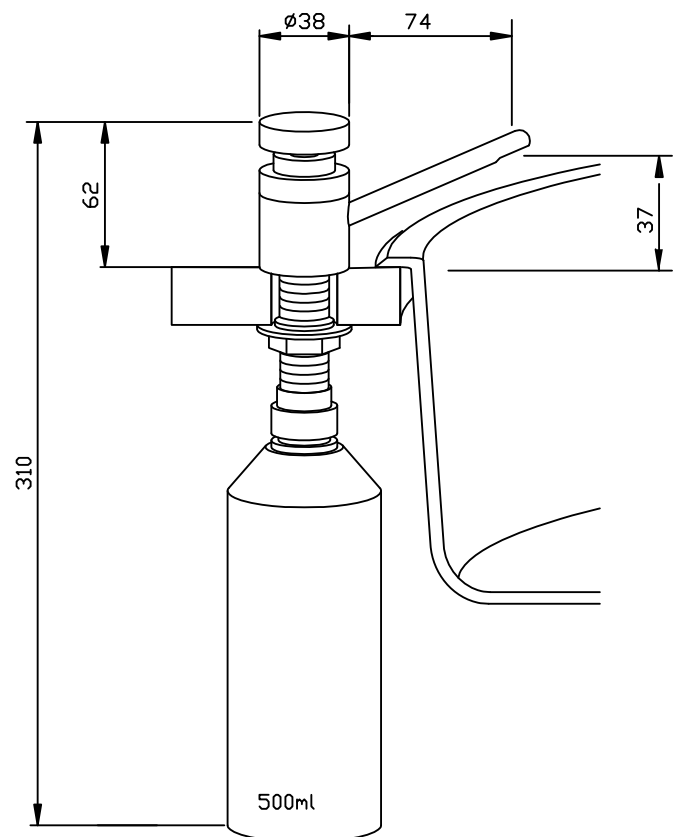
Dimensions: (with container) 65 x 310 x 130 mm

Design height: 62 mm

Outlet height: 37 mm

Projection: 74 mm

Article No. WP191-3



Options	ID No.
Washer / rosette	923 159

Available surfaces	ID No.
satin finished (standard)	924 027
highly polished	931 191

Ernst Wagner GmbH & Co. KG

Ernst-Abbe-Straße 21 · D-72770 Reutlingen · Tel.: +49712151539-0 · Fax: -20
info@wagner-ewar.de · www.wagner-ewar.de

WAGNER
EWAR

TABLETOP SOAP DISPENSER WP191-KIDS



Ø 68 x 310 x 130 mm

chrome-plated brass

- Tabletop soap dispenser with easy-to-move push button in chrome-plated brass.
- Solid body in brass; visible surfaces high-gloss chrome-plated.
- Design height: 62 mm
Outlet height: 37 mm
Projection: 74 mm
- Non-drip soap pump with 500 ml soap container in plastics and pressure valve in brass.
- Also available with 1000 ml containers in plastics.
- 500 ml container in stainless steel as an option for a surcharge.
- Designed for standard liquid soaps.
- Refillable from above by unscrewing the top part.
- Wear parts can be replaced as modules.
- Installation dimensions: Ø 22-26 mm, surface thickness max. 40 mm.
- Mounting: With one counternut.
- Delivery includes fixing material.
- Weight, including single package: 0.8 kg



Suggested text for specifications:

Tabletop soap dispenser with easy-to-move push button in chrome-plated brass for counter mounting. Solid body in brass; visible surfaces high-gloss chrome-plated. Non-drip soap pump with 500 ml soap container in plastics and pressure valve in brass. Designed for standard liquid soaps. Refillable from above by unscrewing the top part. Delivery includes fixing material.

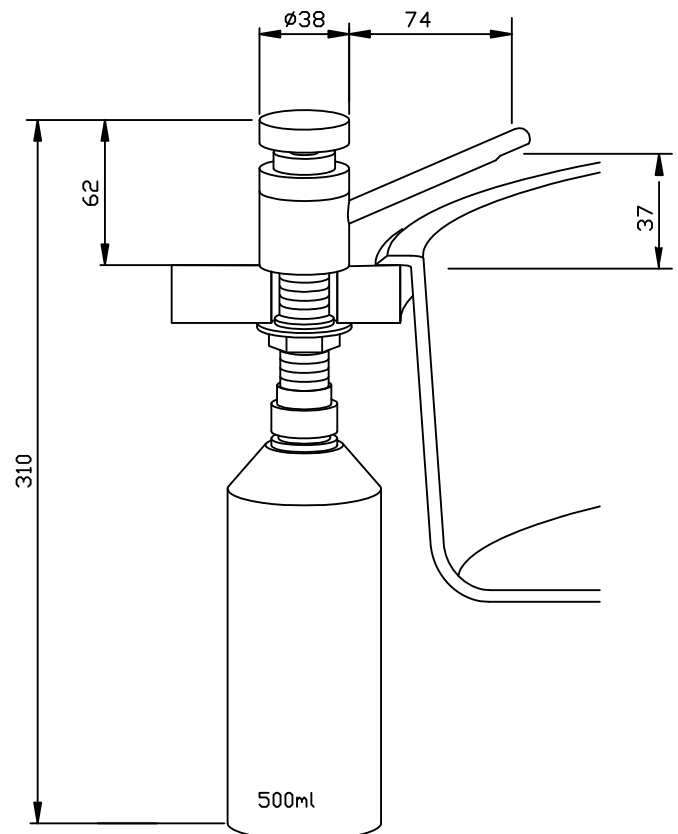
Dimensions: (with container) 65 x 310 x 130 mm

Design height: 62 mm

Outlet height: 37 mm

Projection: 74 mm

Article No. WP191-Kids



Options	ID No.
Washer / rosette	923 160

Available surface	ID No.
chrome-plated	923 943

Ernst Wagner GmbH & Co. KG

Ernst-Abbe-Straße 21 · D-72770 Reutlingen · Tel.: +49712151539-0 · Fax: -20
info@wagner-ewar.de · www.wagner-ewar.de

WAGNER
EWAR

TABLETOP SOAP DISPENSER WP192-1



Ø 68 x 456 x 170 mm

chrome-plated brass

- Tabletop soap dispenser in chrome-plated brass.
- Solid body in brass; visible surfaces high-gloss chrome-plated.
- Design height: 208 mm
Outlet height: 198 mm
Projection: 111 mm
- Non-drip soap pump with 500 ml soap container in plastics and pressure valve in brass.
- Also available with 1000 ml containers in plastics.
- 500 ml container in stainless steel as an option for a surcharge.
- Designed for standard liquid soaps.
- Refillable from above by unscrewing the top part.
- Wear parts can be replaced as modules.
- Installation dimensions: Ø 22-26 mm, surface thickness max. 40 mm.
- Mounting: With one counternut.
- Delivery includes fixing material.
- Weight, including single package: 1.6 kg



Suggested text for specifications:

Tabletop soap dispenser in chrome-plated brass for counter mounting. Solid body in brass; visible surfaces high-gloss chrome-plated. Non-drip soap pump with 500 ml soap container in plastics and pressure valve in brass. Designed for standard liquid soaps. Refillable from above by unscrewing the top part. Delivery includes fixing material.

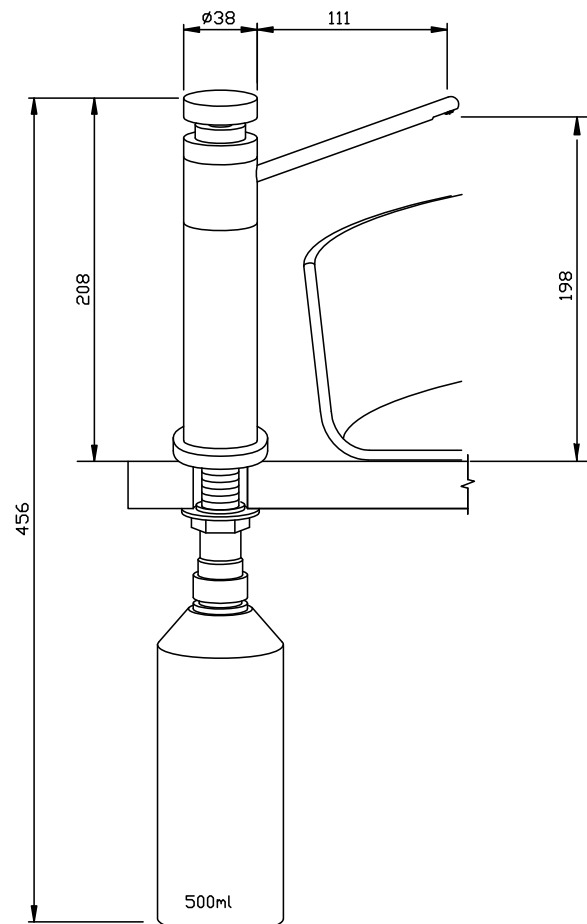
Dimensions: (with container) 65 x 456 x 160 mm

Design height: 208 mm

Outlet height: 198 mm

Projection: 111 mm

Article No. WP192-1



Options	ID No.
Washer / rosette	923 160

Available surface	ID No.
chrome-plated	923 370

Ernst Wagner GmbH & Co. KG

Ernst-Abbe-Straße 21 · D-72770 Reutlingen · Tel.: +49712151539-0 · Fax: -20
info@wagner-ewar.de · www.wagner-ewar.de

WAGNER
EWAR

TABLETOP SOAP DISPENSER WP192-3



Ø 68 x 456 x 170 mm

stainless steel

- Tabletop soap dispenser in robust, germ-reducing and easy-care stainless steel (AISI 316L).
- Solid stainless steel body; visible surfaces satin finished. Further available surfaces: see below.
- Design height: 208 mm
Outlet height: 198 mm
Projection: 111 mm
- Non-drip soap pump with 500 ml soap bottle in plastics and pressure valve in stainless steel.
- Also available with 1000 ml containers in plastics.
- 500 ml container in stainless steel as an option for a surcharge.
- Designed for standard liquid soaps.
- Refillable from above by unscrewing the top part.
- Wear parts can be replaced as modules.
- Installation dimensions: Ø 22-26 mm, surface thickness max. 40 mm.
- Mounting: With one counternut.
- Delivery includes fixing material.
- Weight, including single package: 1.7 kg



Suggested text for specifications:

Tabletop soap dispenser in stainless steel (AISI 316L) for counter mounting. Solid stainless steel body; visible surfaces satin finished. Non-drip soap pump with 500 ml soap bottle in plastics and pressure valve in stainless steel. Designed for standard liquid soaps. Refillable from above by unscrewing the top part. Delivery includes fixing material.

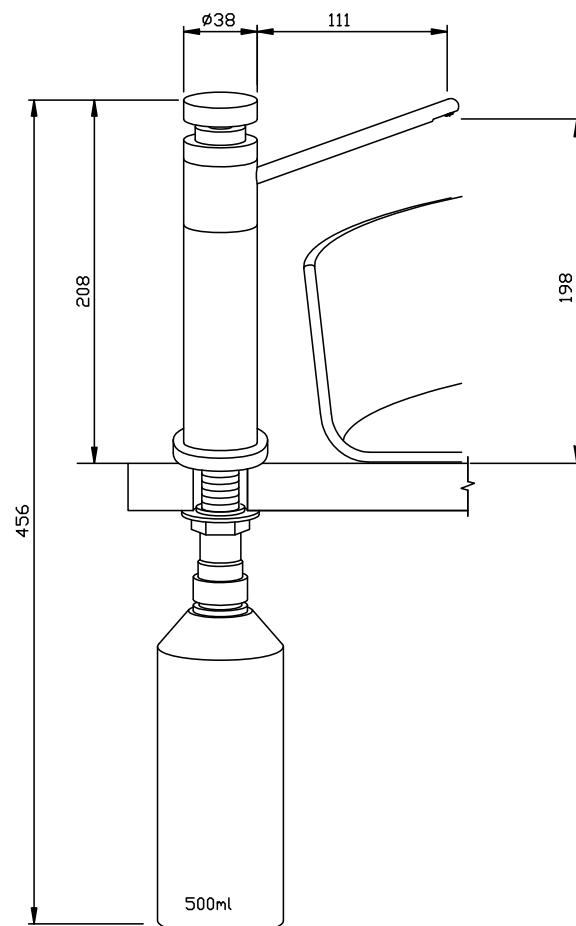
Dimensions: (with container) 65 x 456 x 160 mm

Design height: 208 mm

Outlet height: 198 mm

Projection: 111 mm

Article No. WP192-3



Options	ID No.
Washer / rosette	923 159
Available surfaces	ID No.
satin finished (standard)	923 371
highly polished	931 371

Ernst Wagner GmbH & Co. KG

Ernst-Abbe-Straße 21 · D-72770 Reutlingen · Tel.: +49712151539-0 · Fax: -20
info@wagner-ewar.de · www.wagner-ewar.de

WAGNER
EWAR

TABLETOP SOAP DISPENSER, LOCKABLE WP193



Ø 65 x 328 x 165 mm

chrome-plated brass

- Tabletop soap dispenser, lockable, in chrome-plated brass.
- Solid body in brass; visible surfaces high-gloss chrome-plated.
- Design height: 80 mm
Outlet height: 45 mm
Projection: 111 mm
- Non-drip soap pump with 500 ml soap container in plastics and pressure valve in brass.
- Also available with 1000 ml containers in plastics.
- 500 ml container in stainless steel as an option for a surcharge.
- Designed for standard liquid soaps.
- Refillable from above by unscrewing the top part, secured with hexagon socket screw.
- Wear parts can be replaced as modules.
- Installation dimensions: Ø 22-26 mm,
Surface thickness max. 40 mm.
- Mounting: With one counternut.
- Delivery includes fixing material.
- Weight, including single package: 1.3 kg



Suggested text for specifications:

Tabletop soap dispenser, lockable, in chrome-plated brass for counter mounting. Solid body in brass; visible surfaces high-gloss chrome-plated. Non-drip soap pump with 500 ml soap container in plastics and pressure valve in brass. Designed for standard liquid soaps. Refillable from above by unscrewing the top part, secured with hexagon socket screw. Delivery includes fixing material.

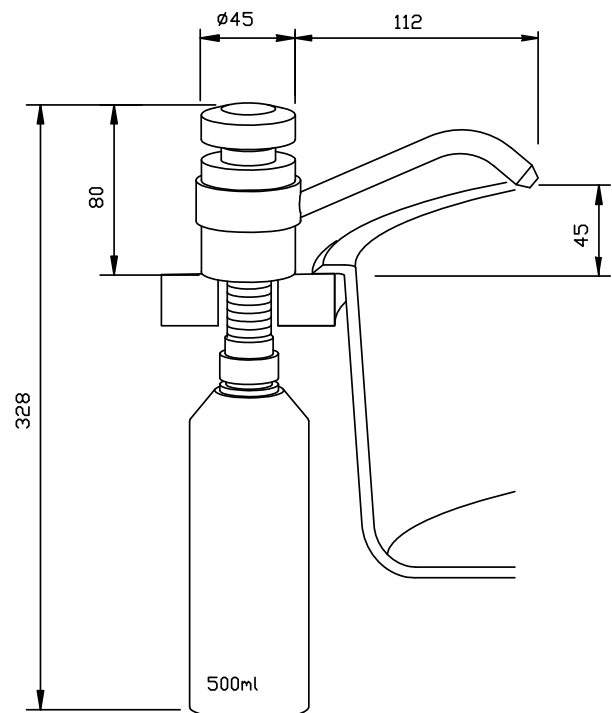
Dimensions: (with container) 65 x 328 x 165 mm

Design height: 80 mm

Outlet height: 45 mm

Projection: 111 mm

Article No. WP193



Available surface	ID No.
chrome-plated	923 151

Ernst Wagner GmbH & Co. KG

Ernst-Abbe-Straße 21 · D-72770 Reutlingen · Tel.: +49712151539-0 · Fax: -20
info@wagner-ewar.de · www.wagner-ewar.de

WAGNER
EWAR

Ø 38 x 220 mm

stainless steel

- Panel mounted soap dispenser in robust, germ-reducing and easy-care stainless steel (AISI 316L).
- Solid stainless steel body; visible surfaces satin finished. Further available surfaces: see below.
- Projection: 80 mm
- One-hand operated and non-drip soap pump with pressure valve in stainless steel.
- Designed for standard liquid soaps.
- Refillable through decentralized soap container connected with suction tube.
- Wear parts can be replaced as modules.
- Installation dimensions: Ø 21-25 mm, panel thickness max. 40 mm.
- Mounting: With one counternut.
- Delivery includes fixing material and 1.5 m suction tube.
- Weight, including single package: 0.7 kg



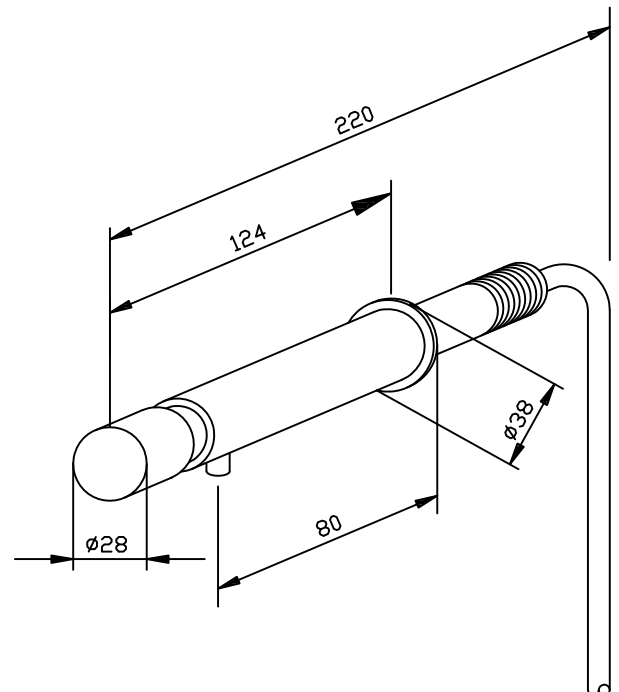
Suggested text for specifications:

Panel mounted soap dispenser in stainless steel (AISI 316L) for Wandpaneelle. Solid stainless steel body; visible surfaces satin finished. One-hand operated and non-drip soap pump with pressure valve in stainless steel. Designed for standard liquid soaps. Refillable through decentralized soap container. Delivery includes fixing material and 1.5 m suction tube.

Dimensions: Ø 38 x 220 mm

Projection: 80 mm

Article No. WP194



Available surfaces	ID No.
satin finished (standard)	727 305
highly polished	731 305

TABLETOP SOAP DISPENSER WP195



Ø 60 x 420 x 131 mm

stainless steel

- Tabletop soap dispenser in robust, germ-reducing and easy-care stainless steel (AISI 316L).
- Solid stainless steel body; visible surfaces satin finished. Further available surfaces: see below.
- Design height: 128 mm
Outlet height: 57 mm
Projection: 75 mm
- Non-drip soap pump with 500 ml soap bottle in plastics and pressure valve in stainless steel.
- Designed for standard liquid soaps.
- Refillable from above through detachable top part with bayonet lock.
- Wear parts can be replaced as modules.
- Installation dimensions: Ø 21-25 mm, surface thickness max. 40 mm.
- Mounting: With one counternut.
- Delivery includes fixing material.
- Weight, including single package: 1.0 kg



Suggested text for specifications:

Tabletop soap dispenser in stainless steel (AISI 316L) for counter mounting. Solid stainless steel body; visible surfaces satin finished. Non-drip soap pump with 500 ml soap bottle in plastics and pressure valve in stainless steel. Designed for standard liquid soaps. Refillable from above through detachable top part with bayonet lock. Delivery includes fixing material.

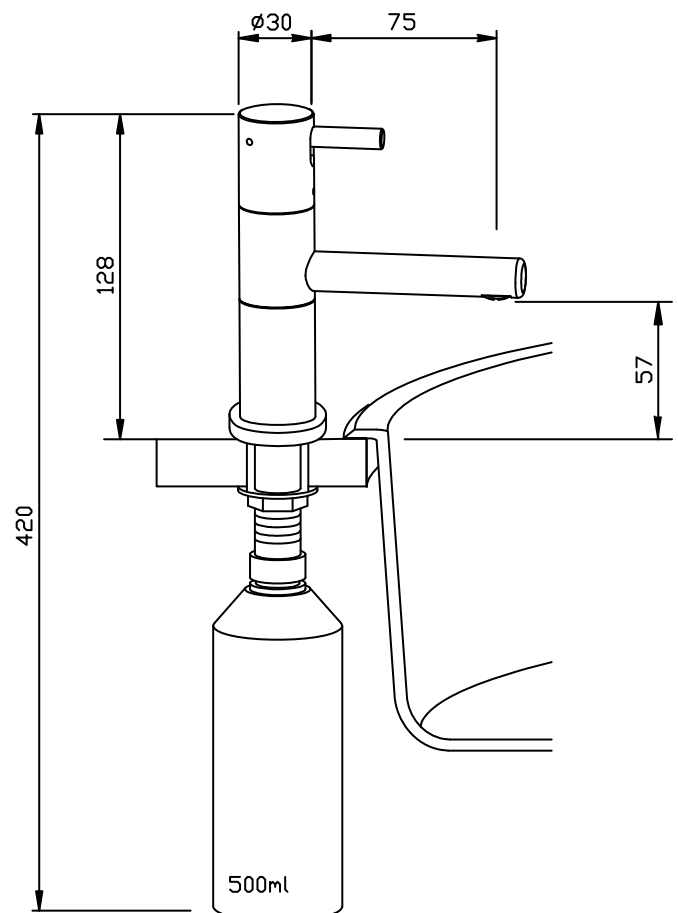
Dimensions: (with container) 60 x 420 x 125 mm

Design height: 128 mm

Outlet height: 57 mm

Projection: 75 mm

Article No. WP195



Available surfaces

ID No.

satin finished (standard)

925 210

highly polished

931 210

Ernst Wagner GmbH & Co. KG

Ernst-Abbe-Straße 21 · D-72770 Reutlingen · Tel.: +49712151539-0 · Fax: -20
info@wagner-ewar.de · www.wagner-ewar.de

WAGNER
EWAR

TABLETOP SOAP DISPENSER WP195-10



Ø 60 x 566 x 131 mm

stainless steel

- Tabletop soap dispenser in robust, germ-reducing and easy-care stainless steel (AISI 316L).
- Solid stainless steel body; visible surfaces satin finished. Further available surfaces: see below.
- Design height: 274 mm
Outlet height: 203 mm
Projection: 75 mm
- Non-drip soap pump with 500 ml soap bottle in plastics and pressure valve in stainless steel.
- Designed for standard liquid soaps.
- Refillable from above through detachable top part with bayonet lock.
- Wear parts can be replaced as modules.
- Installation dimensions: Ø 21-25 mm, surface thickness max. 40 mm.
- Mounting: With one counternut.
- Delivery includes fixing material.
- Weight, including single package: 1.6 kg



Suggested text for specifications:

Tabletop soap dispenser in stainless steel (AISI 316L) for counter mounting. Solid stainless steel body; visible surfaces satin finished. Non-drip soap pump with 500 ml soap bottle in plastics and pressure valve in stainless steel. Designed for standard liquid soaps. Refillable from above through detachable top part with bayonet lock. Delivery includes fixing material.

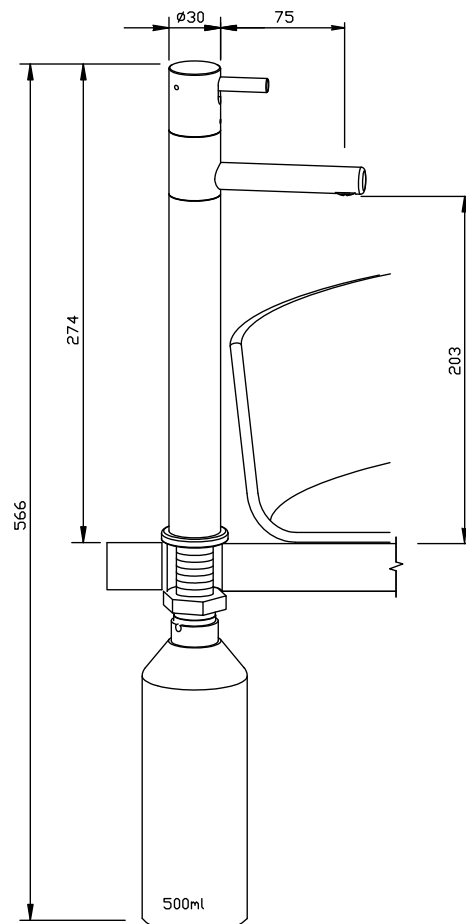
Dimensions: (with container) 65 x 566 x 130 mm

Design height: 274 mm

Outlet height: 203 mm

Projection: 75 mm

Article No. WP195-10



Available surfaces	ID No.
satin finished (standard)	925 215
highly polished	931 215

Ernst Wagner GmbH & Co. KG

Ernst-Abbe-Straße 21 · D-72770 Reutlingen · Tel.: +49712151539-0 · Fax: -20
info@wagner-ewar.de · www.wagner-ewar.de

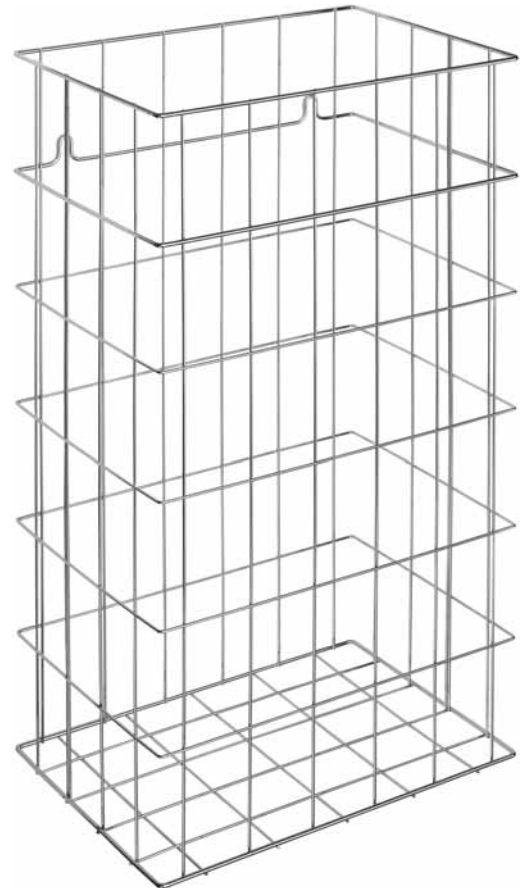
WAGNER
EWAR

WASTE BASKET WP196



350 x 600 x 250 mm
Capacity approx. 52,5 l

- Waste basket in chrome-plated steel wire.
- 2.5 mm and 4 mm thick lattice work. Fastening eyes in second row for invisible wall mounting.
- Capacity approx. 52,5 l.
- Mounting: With two screws.
- Delivery includes fixing material.
- Weight, including single package: 1.0 kg

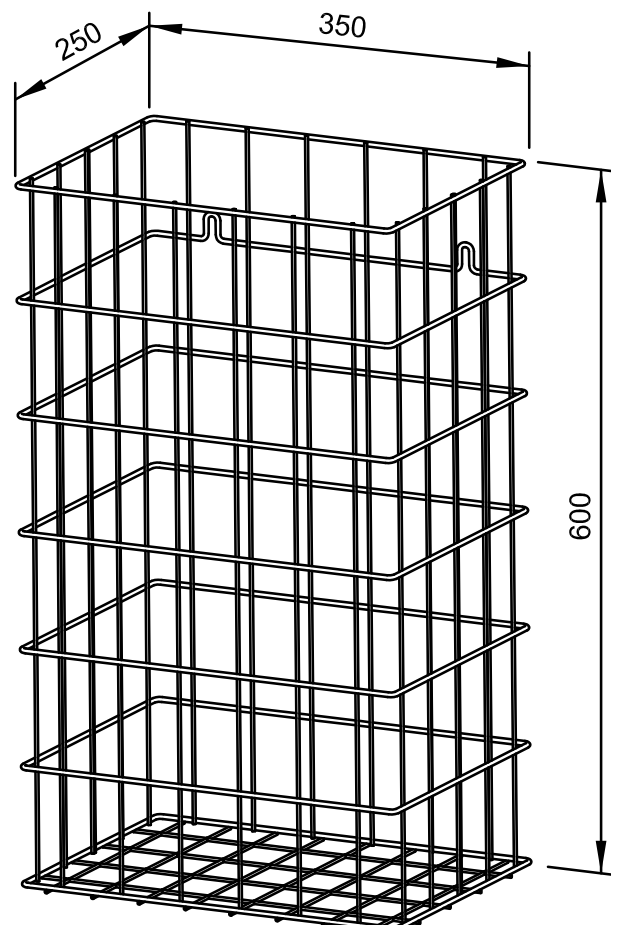


Suggested text for specifications:

Waste basket in chrome-plated steel wire for counter- or surface mounting or floor installation. 2.5 mm and 4 mm thick lattice work. Fastening eyes in second row for invisible wall mounting. Capacity approx. 52.5 l. Delivery includes fixing material.

Dimensions: 350 x 600 x 250 mm

Article No. WP196



Available surface	ID No.
chrome-plated	923 117

Ernst Wagner GmbH & Co. KG

Ernst-Abbe-Straße 21 · D-72770 Reutlingen · Tel.: +49712151539-0 · Fax: -20
info@wagner-ewar.de · www.wagner-ewar.de

WAGNER
EWAR

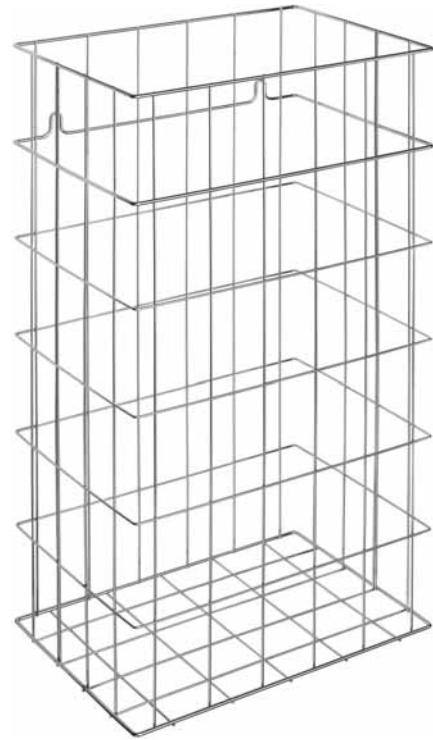
WASTE BASKET WP197



350 x 500 x 250 mm

Capacity approx. 44 l

- Waste basket in chrome-plated steel wire.
- 2.5 mm and 4 mm thick lattice work. Fastening eyes in second row for invisible wall mounting.
- Capacity approx. 44 l.
- Mounting: With two screws.
- Delivery includes fixing material.
- Weight, including single package: 0.9 kg

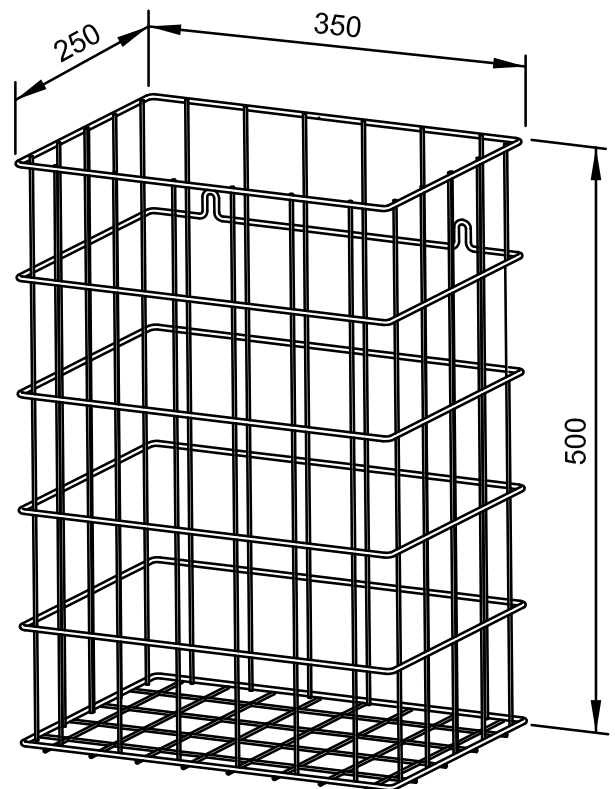


Suggested text for specifications:

Waste basket in chrome-plated steel wire for counter- or surface mounting or floor installation. 2.5 mm and 4 mm thick lattice work. Fastening eyes in second row for invisible wall mounting. Capacity approx. 44 l. Delivery includes fixing material.

Dimensions: 350 x 500 x 250 mm

Article No. WP197



Available surface	ID No.
chrome-plated	924 117

Ernst Wagner GmbH & Co. KG

Ernst-Abbe-Straße 21 · D-72770 Reutlingen · Tel.: +49712151539-0 · Fax: -20
info@wagner-ewar.de · www.wagner-ewar.de

WAGNER
— EWAR

WASTE BIN WP198



298 x 450 x 510 mm

Capacity approx. 43 l

- Waste bin in robust, germ-reducing and easy-care stainless steel (AISI 304).
- All-stainless steel housing; visible surfaces satin finished and brushed. Further available surfaces: see below.
- Equipped with removable mesh basket. Capacity approx. 43 l. Accessible through lockable door. Waste disposal from above through an optional waste disposal ring or flap.
- Keyed alike cylinder lock in corrosion-resistant zinc die-casting.
- Wear parts can be replaced as modules.
- Mounting: With four screws through key holes and one optional anti-theft hole in the back wall off-floor below vanity unit, or as an option with console for a surcharge.
- Delivery includes fixing material.
- Weight, including single package: 8.7 kg

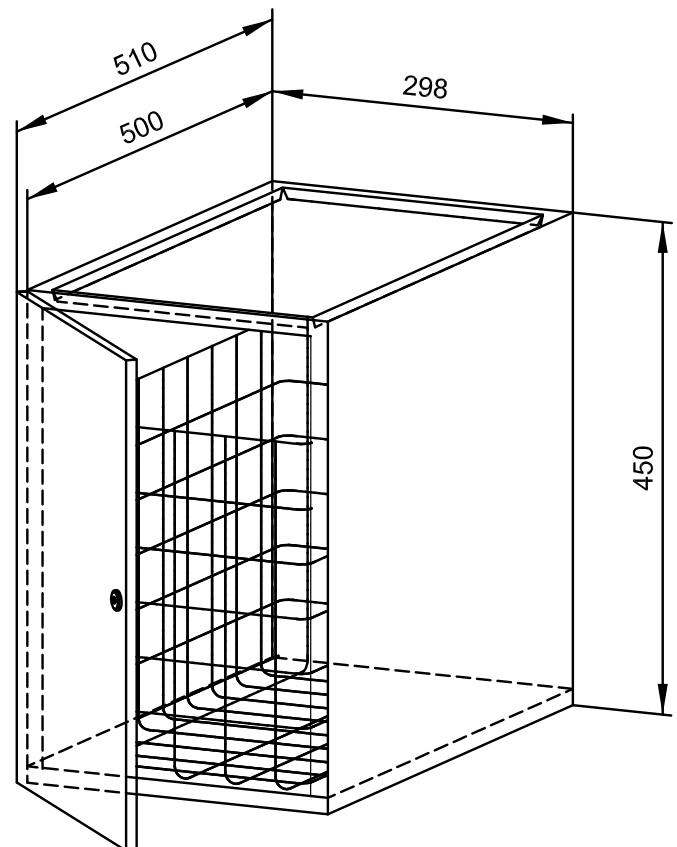


Suggested text for specifications:

Waste bin in stainless steel (AISI 304) for under-counter mounting. All-stainless steel housing; all corners fully welded, visible surfaces satin finished and brushed. Equipped with removable mesh basket. Capacity approx. 43 l. Accessible through lockable door. Waste disposal from above through an optional waste disposal ring or flap. Delivery includes fixing material.

Dimensions: 298 x 450 x 510 mm

Article No. WP198



Options

ID No.

Console (please specify dimensions) 727 652

Waste disposal ring WP159 727 080

Available surfaces

ID No.

satin finished (standard) 828 180

highly polished 831 180

(coloured) plastic powder-coating 829 180

Ernst Wagner GmbH & Co. KG

Ernst-Abbe-Straße 21 · D-72770 Reutlingen · Tel.: +49712151539-0 · Fax: -20
info@wagner-ewar.de · www.wagner-ewar.de

WAGNER
EWAR

WASTE BASKET WP201



350 x 400 x 250 mm

Capacity approx. 35 l

- Waste basket in chrome-plated steel wire.
- 2.5 mm and 4 mm thick lattice work. Fastening eyes in second row for invisible wall mounting.
- Capacity approx. 35 l.
- Mounting: With two screws.
- Delivery includes fixing material.
- Weight, including single package: 0.9 kg

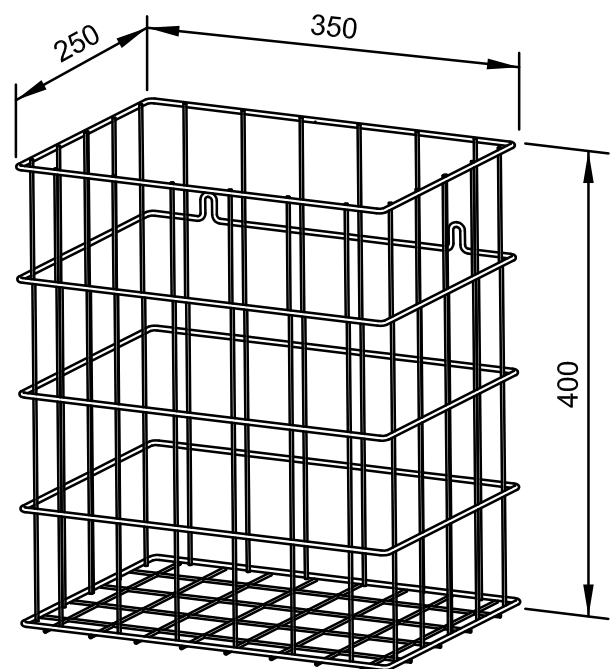


Suggested text for specifications:

Waste basket in chrome-plated steel wire for counter- or surface mounting. 2.5 mm and 4 mm thick lattice work. Fastening eyes in second row for invisible wall mounting. Capacity approx. 35 l. Delivery includes fixing material.

Dimensions: 350 x 400 x 250 mm

Article No. WP201



Options	ID No.
Waste disposal ring WP159-1	727 075

Available surface	ID No.
chrome-plated	923 201

Ernst Wagner GmbH & Co. KG

Ernst-Abbe-Straße 21 · D-72770 Reutlingen · Tel.: +49712151539-0 · Fax: -20
info@wagner-ewar.de · www.wagner-ewar.de

WAGNER
EWAR

LIQUID SOAP DISPENSER WP208



148 x 448 x 120 mm

950 ml soap bottle or 850 ml plug-in tank

- Liquid soap dispenser in robust, germ-reducing and easy-care stainless steel (AISI 316L).
- All-stainless steel housing; all corners fully welded, visible surfaces satin finished and brushed. Further available surfaces: see below.
- One-hand operated and non-drip soap pump.
- Designed for standard 950 ml disposable bottles of liquid soap or hand lotion.
- Also refillable with large container using the plug-in tank as an option.
- Inspection slot to indicate fill level.
- Accessible for refilling through lockable, removable front panel with fall protection.
- Keyed alike cylinder lock in corrosion-resistant zinc die-casting.
- Wear parts and front panel can be replaced as modules.
- Installation dimensions: 150 x 450 x 110 mm
- Mounting: With four screws in wall opening through fixing holes in the side walls.
- Delivery includes fixing material and first fill with soap.
- Weight, including single package: 3.9 kg

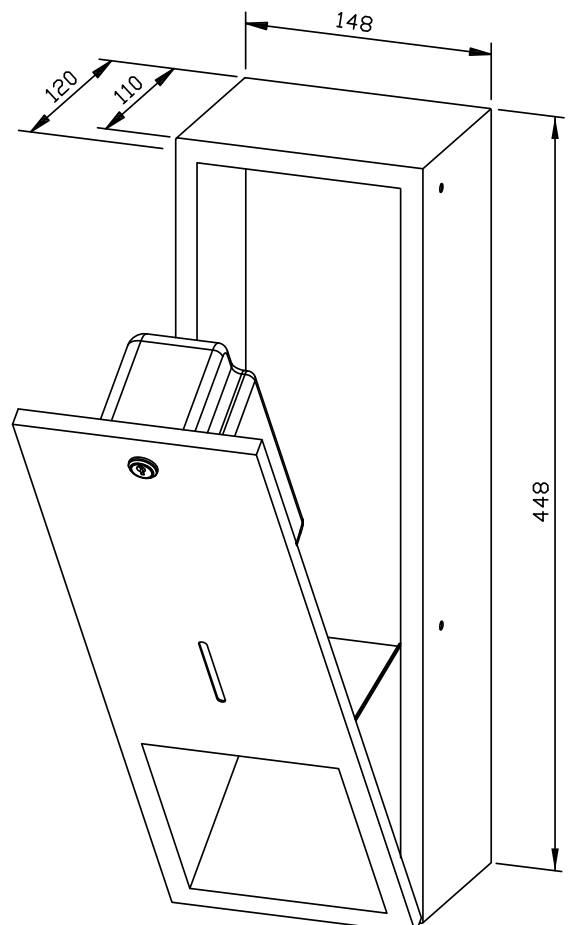


Suggested text for specifications:

Liquid soap dispenser in stainless steel (AISI 316L) for flush mounting. All-stainless steel housing; all corners fully welded, visible surfaces satin finished and brushed. One-hand operated and non-drip soap pump. Designed for standard 950 ml disposable bottles of liquid soap or hand lotion. Inspection slot to indicate fill level. Accessible for refilling through lockable, removable front panel with fall protection. Keyed alike cylinder lock in corrosion-resistant zinc die-casting. Delivery includes fixing material and first fill with soap.

Dimensions: 148 x 448 x 120 mm

Article No. WP208



Options	ID No.
Plug-in tank 850 ml	937 201

Available surfaces	ID No.
satin finished (standard)	727 596
highly polished	731 596
(coloured) plastic powder-coating	728 146

Ernst Wagner GmbH & Co. KG

Ernst-Abbe-Straße 21 · D-72770 Reutlingen · Tel.: +49712151539-0 · Fax: -20
info@wagner-ewar.de · www.wagner-ewar.de

WAGNER
EWAR

FOAM SOAP DISPENSER WP208-5



148 x 448 x 120 mm

400 ml foam soap concentrate

- Foam soap dispenser in robust, germ-reducing and easy-care stainless steel (AISI 316L).
- All-stainless steel housing; all corners fully welded, visible surfaces satin finished and brushed. Further available surfaces: see below.
- One-hand operated and non-drip foam soap pump.
- Designed for standard 400 ml foam soap concentrate.
- Inspection slot to indicate fill level.
- Accessible for refilling through lockable, removable front panel with fall protection.
- Keyed alike cylinder lock in corrosion-resistant zinc die-casting.
- Wear parts and front panel can be replaced as modules.
- Installation dimensions: 150 x 450 x 110 mm
- Mounting: With four screws in wall opening through fixing holes in the side walls.
- Delivery includes fixing material and first fill with soap.
- Weight, including single package: 3.4 kg

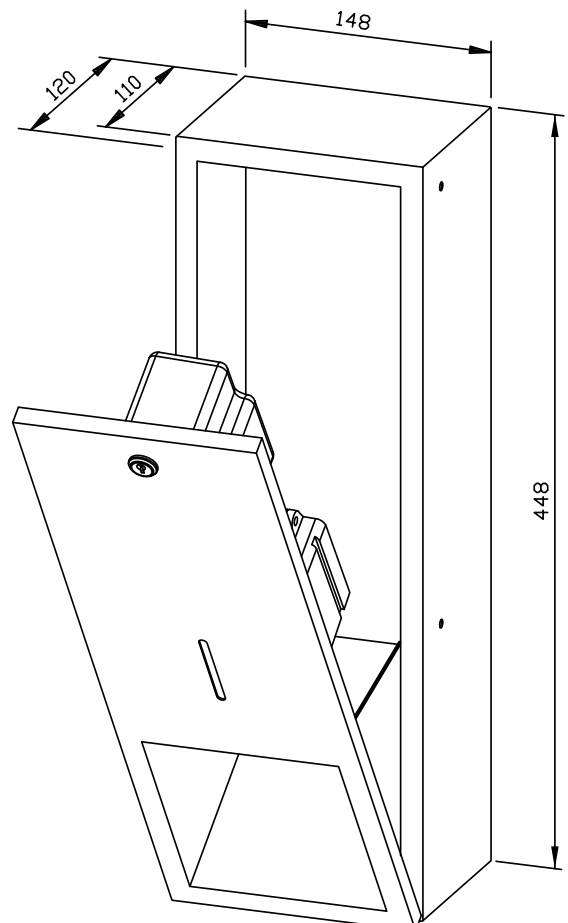


Suggested text for specifications:

Foam soap dispenser in stainless steel (AISI 316L) for flush mounting. All-stainless steel housing; all corners fully welded, visible surfaces satin finished and brushed. One-hand operated and non-drip foam soap pump. Designed for standard 400 ml foam soap concentrate. Inspection slot to indicate fill level. Accessible for refilling through lockable, removable front panel with fall protection. Keyed alike cylinder lock in corrosion-resistant zinc die-casting. Delivery includes fixing material and first fill with foam soap concentrate.

Dimensions: 148 x 448 x 120 mm

Article No. WP208-5



Available surfaces	ID No.
satin finished (standard)	727 591
highly polished	731 591
(coloured) plastic powder-coating	728 591

Ernst Wagner GmbH & Co. KG

Ernst-Abbe-Straße 21 · D-72770 Reutlingen · Tel.: +49712151539-0 · Fax: -20
info@wagner-ewar.de · www.wagner-ewar.de

WAGNER
EWAR

148 x 448 x 120 mm

950 ml tank

- Disinfectant dispenser in robust, germ-reducing and easy-care stainless steel (AISI 316L).
- All-stainless steel housing; all corners fully welded, visible surfaces satin finished and brushed. Further available surfaces: see below.
- One-hand operated disinfectant pump with 950 ml tank.
- Tank with large, lockable refill opening.
- Designed for standard disinfectants for hands.
- Inspection slot to indicate fill level.
- Accessible for refilling through lockable, removable front panel with fall protection.
- Keyed alike cylinder lock in corrosion-resistant zinc die-casting.
- Wear parts and front panel can be replaced as modules.
- Installation dimensions: 150 x 450 x 110 mm
- Mounting: With four screws in wall opening through fixing holes in the side walls.
- Delivery includes fixing material and first fill with soap.
- Weight, including single package: 3.0 kg

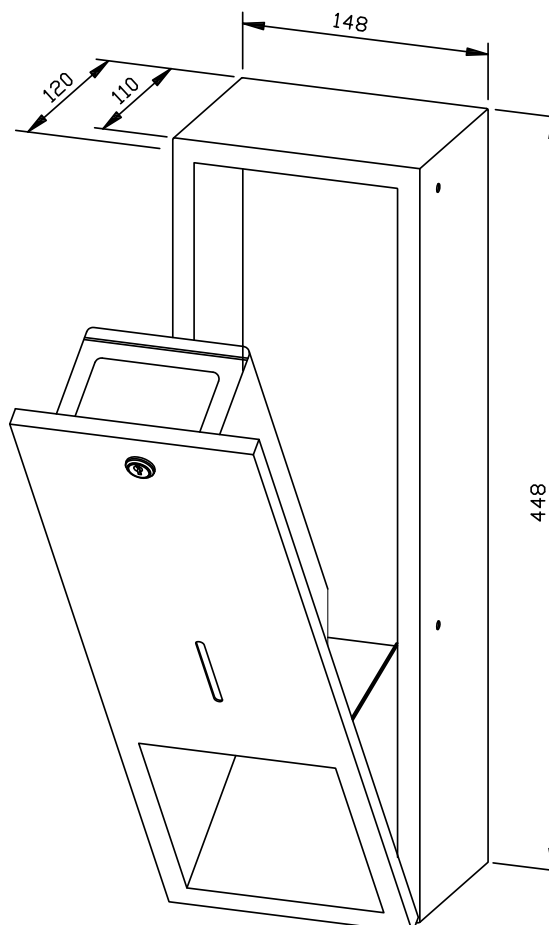


Suggested text for specifications:

Disinfectant dispenser in stainless steel (AISI 316L) for flush mounting. All-stainless steel housing; all corners fully welded, visible surfaces satin finished and brushed. One-hand operated disinfectant pump with 950 ml tank. Designed for standard disinfectants for hands. Inspection slot to indicate fill level. Accessible for refilling through lockable, removable front panel with fall protection. Keyed alike cylinder lock in corrosion-resistant zinc die-casting. Delivery includes fixing material.

Dimensions: 148 x 448 x 120 mm

Article No. WP208-7



Available surfaces	ID No.
satin finished (standard)	727 586
highly polished	731 586
(coloured) plastic powder-coating	728 586

SENSOR LIQUID SOAP DISPENSER WP208E



148 x 448 x 120 mm

950 ml soap bottle or 850 ml plug-in tank

- Sensor liquid soap dispenser in robust, germ-reducing and easy-care stainless steel (AISI 316L).
- All-stainless steel housing; all corners fully welded, visible surfaces satin finished and brushed. Further available surfaces: see below.
- With EWAR® eModule touch-free operated soap pump.
- Designed for standard 950 ml disposable bottles of liquid soap or hand lotion.
- Also refillable with large container using the plug-in tank as an option.
- Inspection slot to indicate fill level.
- Accessible for refilling through lockable, removable front panel with fall protection.
- Keyed alike cylinder lock in corrosion-resistant zinc die-casting.
- eModule battery-powered with two 1.5 V Baby/LR14 batteries. Power supply available as an option.
- Wear parts and front panel can be replaced as modules.
- Installation dimensions: 150 x 450 x 110 mm
- Mounting: With four screws in wall opening through fixing holes in the side walls.
- Delivery includes fixing material, batteries and first fill with soap.
- Weight, including single package: 4.4 kg

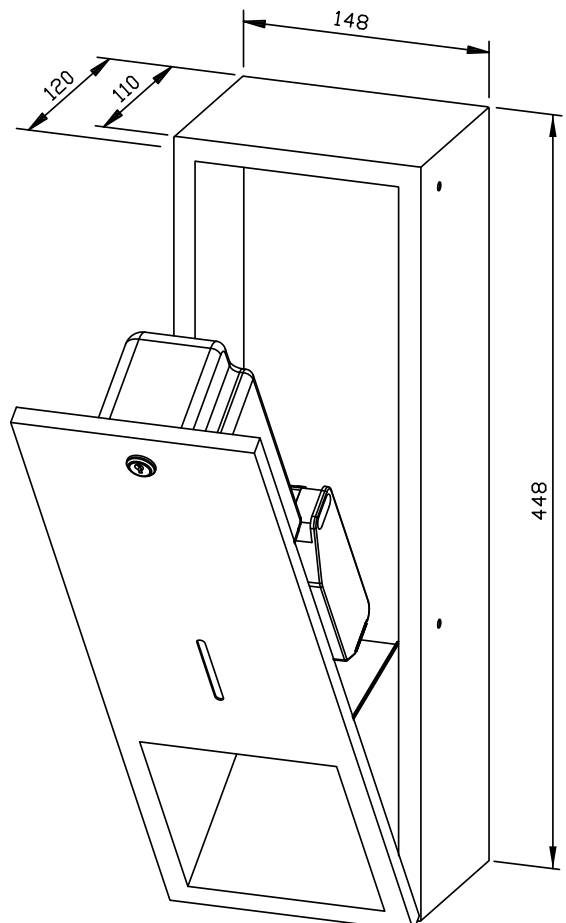


Suggested text for specifications:

Sensor liquid soap dispenser in stainless steel (AISI 316L) for flush mounting. All-stainless steel housing; all corners fully welded, visible surfaces satin finished and brushed. With touch-free operated soap pump. Designed for standard 950 ml disposable bottles of liquid soap or hand lotion. Inspection slot to indicate fill level. Accessible for refilling through lockable, removable front panel with fall protection. Keyed alike cylinder lock in corrosion-resistant zinc die-casting. Delivery includes fixing material, batteries and first fill with soap.

Dimensions: 148 x 448 x 120 mm

Article No. WP208e



Options	ID No.
Plug-in tank 850 ml	937 201
Power supply for eModule	923 060

Available surfaces	ID No.
satin finished (standard)	727 598
highly polished	731 598
(coloured) plastic powder-coating	728 598

Ernst Wagner GmbH & Co. KG

Ernst-Abbe-Straße 21 · D-72770 Reutlingen · Tel.: +49712151539-0 · Fax: -20
info@wagner-ewar.de · www.wagner-ewar.de

WAGNER
EWAR



148 x 448 x 120 mm

950 ml tank

- Sensor disinfectant dispenser in robust, germ-reducing and easy-care stainless steel (AISI 316L).
- All-stainless steel housing; all corners fully welded, visible surfaces satin finished and brushed. Further available surfaces: see below.
- With EWAR® eModule touch-free operated disinfectant pump with 950 ml tank.
- Tank with large, lockable refill opening.
- Designed for standard disinfectants for hands.
- Inspection slot to indicate fill level.
- Accessible for refilling through lockable, removable front panel with fall protection.
- Keyed alike cylinder lock in corrosion-resistant zinc die-casting.
- eModule battery-powered with two 1.5 V Baby/LR14 batteries. Power supply available as an option.
- Wear parts and front panel can be replaced as modules.
- Installation dimensions: 150 x 450 x 110 mm
- Mounting: With four screws in wall opening through fixing holes in the side walls.
- Delivery includes fixing material and batteries.
- Weight, including single package: 3.5 kg

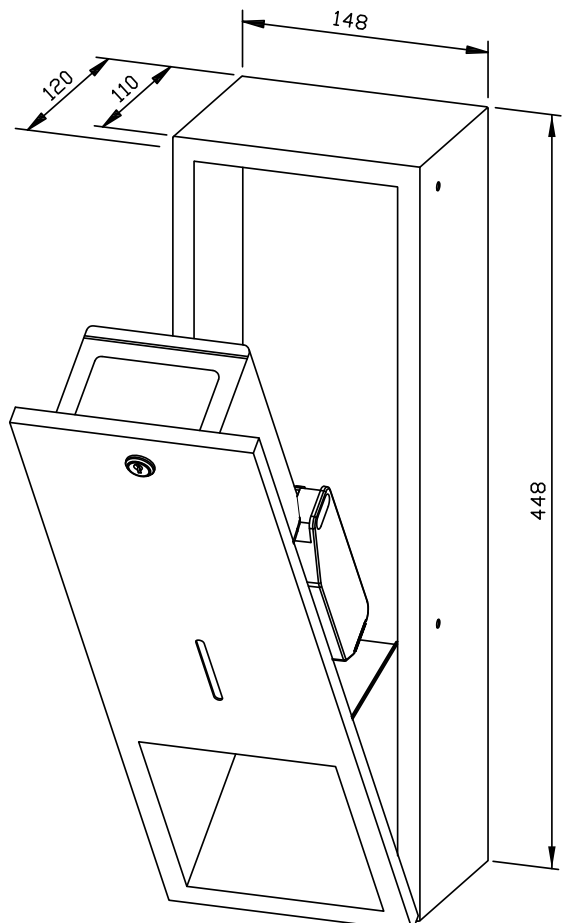


Suggested text for specifications:

Sensor disinfectant dispenser in stainless steel (AISI 316L) for flush mounting. All-stainless steel housing; all corners fully welded, visible surfaces satin finished and brushed. With touch-free operated disinfectant pump with 950 ml tank. Designed for standard disinfectants for hands. Inspection slot to indicate fill level. Accessible for refilling through lockable, removable front panel with fall protection. Keyed alike cylinder lock in corrosion-resistant zinc die-casting. Delivery includes fixing material and batteries.

Dimensions: 148 x 448 x 120 mm

Article No. WP208e-7



Options	ID No.
Power supply for eModule	923 060
Available surfaces	ID No.
satin finished (standard)	727 595
highly polished	731 595
(coloured) plastic powder-coating	728 595

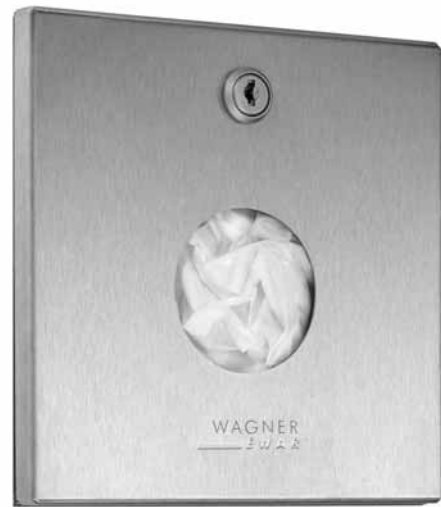
SANITARY BAG DISPENSER WP256



148 x 148 x 50 mm

1 sanitary bag box

- Sanitary bag dispenser in robust, germ-reducing and easy-care stainless steel (AISI 304).
- All-stainless steel housing; all corners fully welded, visible surfaces satin finished and brushed. Further available surfaces: see below.
- Designed for one standard sanitary bag box with dimensions of approx. 118 x 87 x 20 mm.
- Accessible for refilling through lockable front flap.
- Keyed alike cylinder lock in corrosion-resistant zinc die-casting.
- Wear parts can be replaced as modules.
- Installation dimensions: 150 x 150 x 40 mm.
- Mounting: With four screws in wall opening through fixing holes in the side walls.
- Delivery includes fixing material and first fill.
- Weight, including single package: 0.9 kg

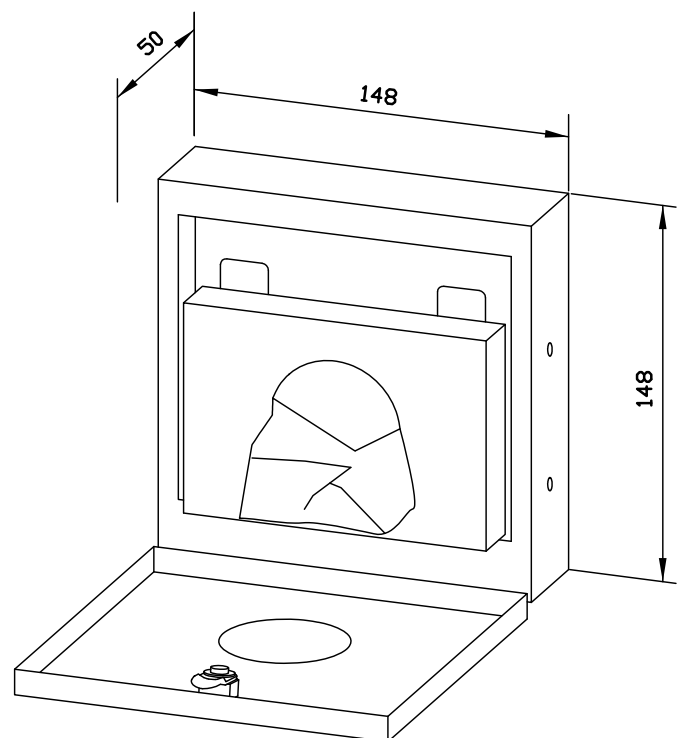


Suggested text for specifications:

Sanitary bag dispenser in stainless steel (AISI 304) for flush mounting. All-stainless steel housing; all corners fully welded, visible surfaces satin finished and brushed. Designed for one standard sanitary bag box. Accessible for refilling through lockable front flap. Keyed alike cylinder lock in corrosion-resistant zinc die-casting. Delivery includes fixing material and first fill.

Dimensions: 148 x 148 x 50 mm

Article No. WP256



Available surfaces	ID No.
satin finished (standard)	727 510
highly polished	731 510
(coloured) plastic powder-coating	728 510

Ernst Wagner GmbH & Co. KG

Ernst-Abbe-Straße 21 · D-72770 Reutlingen · Tel.: +49712151539-0 · Fax: -20
info@wagner-ewar.de · www.wagner-ewar.de

WAGNER
EWAR

COMBINATION PAPER/SOAP/WASTE WP500



298 x 1348 x 120 mm

950 ml soap, 250 paper towels, 11 l waste bin

- Combination consisting of a liquid soap dispenser, a paper towel dispenser and a waste bin in robust, germ-reducing and easy-care stainless steel (AISI 304).
- All-stainless steel housing; all corners fully welded, visible surfaces satin finished and brushed. Further available surfaces: see below.
- Liquid soap dispenser with one-hand operated and non-drip soap pump.
- Designed for standard 950 ml disposable bottles of liquid soap or hand lotion.
- Also refillable with large container using the plug-in tank as an option.
- Paper towel dispenser with deep-drawn paper removal opening for easy paper removal.
- Designed for approx. 250 standard paper towels in zigzag fold. Paper size (folded): 240-250 mm x 100-115 mm.
- Inspection slots to indicate fill level.
- Accessible for refilling through lockable front flap with fall protection.
- Waste bin equipped with removable mesh basket. Capacity approx. 11 l. Accessible through lockable door with self-closing, flame-retardant disposal flap.
- Keyed alike cylinder locks in corrosion-resistant zinc die-casting.
- Wear parts and front panels can be replaced as modules.
- Installation dimensions: 300 x 1350 x 110 mm
- Mounting: With eight screws in wall opening through fixing holes in the side walls.
- Delivery includes fixing material, first fill with soap and one pack of paper towels.
- Weight, including single package: 14.6 kg

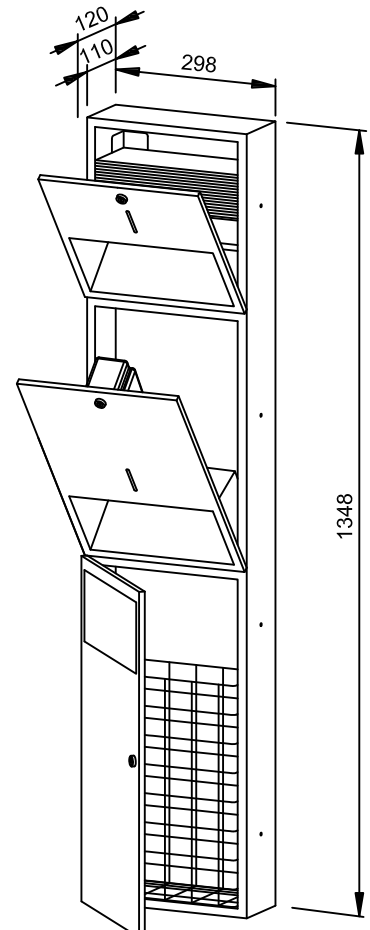


Suggested text for specifications:

Combination consisting of a liquid soap dispenser, a paper towel dispenser and a waste bin in stainless steel (AISI 304) for flush mounting. All-stainless steel housing; all corners fully welded, visible surfaces satin finished and brushed. Liquid soap dispenser with one-hand operated and non-drip soap pump. Designed for standard 950 ml disposable bottles of liquid soap or hand lotion. Paper towel dispenser with deep-drawn paper removal opening, filling quantity approx. 250 paper towels. Inspection slots to indicate fill level. Accessible for refilling through lockable front flap with fall protection. Waste bin equipped with removable mesh basket. Capacity approx. 11 l. Accessible through lockable door with self-closing, flame-retardant disposal flap. Keyed alike cylinder locks in corrosion-resistant zinc die-casting. Delivery includes fixing material, first fill with soap and one pack of paper towels.

Dimensions: 298 x 1348 x 120 mm

Article No. WP500



Available surfaces

ID No.

satin finished (standard)

727 625

highly polished

731 625

(coloured) plastic powder-coating

728 144

Ernst Wagner GmbH & Co. KG

Ernst-Abbe-Straße 21 · D-72770 Reutlingen · Tel.: +49712151539-0 · Fax: -20
info@wagner-ewar.de · www.wagner-ewar.de

WAGNER
EWAR

298 x 1348 x 120 mm

400 ml foam soap, 250 paper towels, 11 l waste bin

- Combination consisting of a foam soap dispenser, a paper towel dispenser and a waste bin in robust, germ-reducing and easy-care stainless steel (AISI 304).
- All-stainless steel housing; all corners fully welded, visible surfaces satin finished and brushed. Further available surfaces: see below.
- Foam soap dispenser with one-hand operated and non-drip foam soap pump.
- Designed for standard 400 ml foam soap concentrate.
- Paper towel dispenser with deep-drawn paper removal opening for easy paper removal.
- Designed for approx. 250 standard paper towels in zigzag fold. Paper size (folded): 240-250 mm x 100-115 mm.
- Inspection slots to indicate fill level.
- Accessible for refilling through lockable front flap with fall protection.
- Waste bin equipped with removable mesh basket. Capacity approx. 11 l. Accessible through lockable door with self-closing, flame-retardant disposal flap.
- Keyed alike cylinder locks in corrosion-resistant zinc die-casting.
- Wear parts and front panels can be replaced as modules.
- Installation dimensions: 300 x 1350 x 110 mm
- Mounting: With eight screws in wall opening through fixing holes in the side walls.
- Delivery includes fixing material, first fill with soap and one pack of paper towels.
- Weight, including single package: 14.0 kg

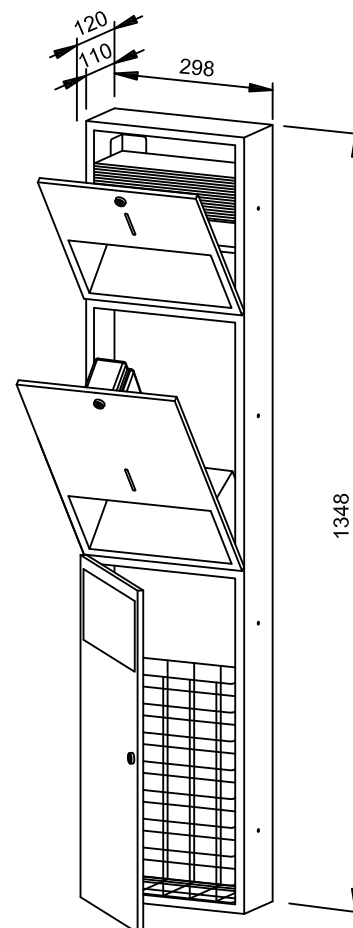


Suggested text for specifications:

Combination consisting of a foam soap dispenser, a paper towel dispenser and a waste bin in stainless steel (AISI 304) for flush mounting. All-stainless steel housing; all corners fully welded, visible surfaces satin finished and brushed. Foam soap dispenser with one-hand operated and non-drip foam soap pump. Designed for standard 400 ml foam soap concentrate. Paper towel dispenser with deep-drawn paper removal opening, filling quantity approx. 250 paper towels. Inspection slots to indicate fill level. Accessible for refilling through lockable front flap with fall protection. Waste bin equipped with removable mesh basket. Capacity approx. 11 l. Accessible through lockable door with self-closing, flame-retardant disposal flap. Keyed alike cylinder locks in corrosion-resistant zinc die-casting. Delivery includes fixing material, first fill with foam soap concentrate and one pack of paper towels.

Dimensions: 298 x 1348 x 120 mm

Article No. WP500-5



Available surfaces	ID No.
satin finished (standard)	727 619
highly polished	731 619
(coloured) plastic powder-coating	728 619

Ernst Wagner GmbH & Co. KG

Ernst-Abbe-Straße 21 · D-72770 Reutlingen · Tel.: +49712151539-0 · Fax: -20
info@wagner-ewar.de · www.wagner-ewar.de

COMBINATION SENSOR-SOAP/PAPER/WASTE WP500E



298 x 1348 x 120 mm

950 ml sensor soap, 250 paper towels, 11 l waste bin

- Combination consisting of a sensor liquid soap dispenser, paper towel dispenser and a waste bin in robust, germ-reducing and easy-care stainless steel (AISI 304).
- All-stainless steel housing; all corners fully welded, visible surfaces satin finished and brushed. Further available surfaces: see below.
- Sensor liquid soap dispenser with EWAR® eModule touch-free operated soap pump.
- Designed for standard 950 ml disposable bottles of liquid soap or hand lotion.
- Also refillable with large container using the plug-in tank as an option.
- Paper towel dispenser with deep-drawn paper removal opening for easy paper removal.
- Designed for approx. 250 standard paper towels in zigzag fold. Paper size (folded): 240-250 mm x 100-115 mm.
- Inspection slots to indicate fill level.
- Accessible for refilling through lockable front flap with fall protection.
- Waste bin equipped with removable mesh basket. Capacity approx. 11 l. Accessible through lockable door with self-closing, flame-retardant disposal flap.
- Keyed alike cylinder locks in corrosion-resistant zinc die-casting.
- eModule battery-powered with two 1.5 V Baby/LR14 batteries. Power supply available as an option.
- Wear parts and front panels can be replaced as modules.
- Installation dimensions: 300 x 1350 x 110 mm
- Mounting: With eight screws in wall opening through fixing holes in the side walls.
- Delivery includes fixing material, batteries, first fill with soap and one pack of paper towels.
- Weight, including single package: 14.8 kg

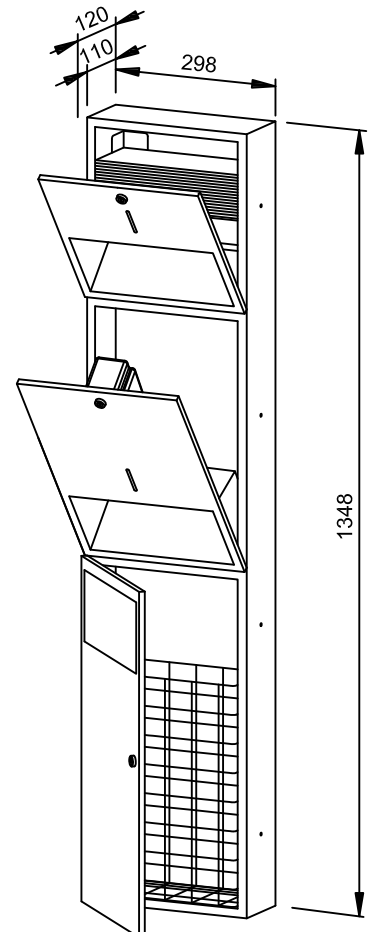


Suggested text for specifications:

Combination consisting of a sensor liquid soap dispenser, a paper towel dispenser and a waste bin in stainless steel (AISI 304) for flush mounting. All-stainless steel housing; all corners fully welded, visible surfaces satin finished and brushed. Sensor liquid soap dispenser with touch-free operated soap pump. Designed for standard 950 ml disposable bottles of liquid soap or hand lotion. Paper towel dispenser with deep-drawn paper removal opening, filling quantity approx. 250 paper towels. Inspection slots to indicate fill level. Accessible for refilling through lockable front flap with fall protection. Waste bin equipped with removable mesh basket. Capacity approx. 11 l. Accessible through lockable door with self-closing, flame-retardant disposal flap. Keyed alike cylinder locks in corrosion-resistant zinc die-casting. Delivery includes fixing material, batteries, first fill with soap and one pack of paper towels.

Dimensions: 298 x 1348 x 120 mm

Article No. WP500e



Options	ID No.
Power supply for eModule	923 060
Available surfaces	ID No.
satin finished (standard)	727 626
highly polished	731 626
(coloured) plastic powder-coating	728 626

Ernst Wagner GmbH & Co. KG

Ernst-Abbe-Straße 21 · D-72770 Reutlingen · Tel.: +49712151539-0 · Fax: -20
info@wagner-ewar.de · www.wagner-ewar.de

WAGNER
EWAR

298 x 645 x 164 mm

250 paper towels, 11 l waste bin

- Combination consisting of a paper towel dispenser and a waste bin in robust, germ-reducing and easy-care stainless steel (AISI 304).
- All-stainless steel housing; all corners fully welded, visible surfaces satin finished and brushed. Further available surfaces: see below.
- Paper towel dispenser with deep-drawn paper removal opening for easy paper removal.
- Designed for approx. 250 standard paper towels in zigzag- or c-fold. Paper size (folded): 240-250 mm x 100-115 mm. Accessible for refilling through lockable front flap.
- Waste bin equipped with removable mesh basket. Capacity approx. 11 l. Accessible through lockable door with self-closing, flame-retardant disposal flap.
- Keyed alike cylinder locks in corrosion-resistant zinc die-casting.
- Wear parts and front panels can be replaced as modules.
- Installation dimensions: 300 x 647 x 154 mm
- Mounting: With four screws in wall opening through fixing holes in the side walls.
- Delivery includes fixing material and one pack of paper towels.
- Weight, including single package: 8.5 kg

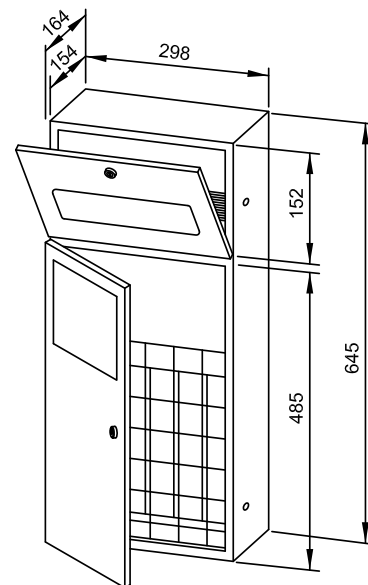


Suggested text for specifications:

Combination consisting of a paper towel dispenser and a waste bin in stainless steel (AISI 304) for flush mounting. All-stainless steel housing; all corners fully welded, visible surfaces satin finished and brushed. Paper towel dispenser with deep-drawn paper removal opening, filling quantity approx. 250 paper towels. Accessible for refilling through lockable front flap. Waste bin equipped with removable mesh basket. Capacity approx. 11 l. Accessible through lockable door with self-closing, flame-retardant disposal flap. Keyed alike cylinder locks in corrosion-resistant zinc die-casting. Delivery includes fixing material and one pack of paper towels.

Dimensions: 298 x 645 x 164 mm

Article No. WP501



Available surfaces	ID No.
satin finished (standard)	728 000
highly polished	731 000
(coloured) plastic powder-coating	728 136

448 x 148 x 164 mm

1000 ml soap, 250 paper towels

- Combination consisting of a liquid soap dispenser and a paper towel dispenser in robust, germ-reducing and easy-care stainless steel (AISI 304).
- All-stainless steel housing; all corners fully welded, visible surfaces satin finished and brushed.
Further available surfaces: see below.
- Liquid soap dispenser with one-hand operated and non-drip soap pump with 1000 ml tank and pressure valve in brass.
- Tank with large, lockable refill opening.
- Designed for standard liquid soaps. Accessible for refilling through lockable, removable front panel with fall protection.
- Paper towel dispenser with deep-drawn paper removal opening for easy paper removal.
- Designed for approx. 250 standard paper towels in zigzag- or c-fold.
Paper size (folded): 240-250 mm x 100-115 mm.
Accessible for refilling through lockable front flap.
- Keyed alike cylinder locks in corrosion-resistant zinc die-casting.
- Wear parts and front panels can be replaced as modules.
- Installation dimensions: 450 x 150 x 154 mm
- Mounting: With four screws in wall opening through fixing holes in the side walls.
- Delivery includes fixing material and one pack of paper towels.
- Weight, including single package: 4.3 kg

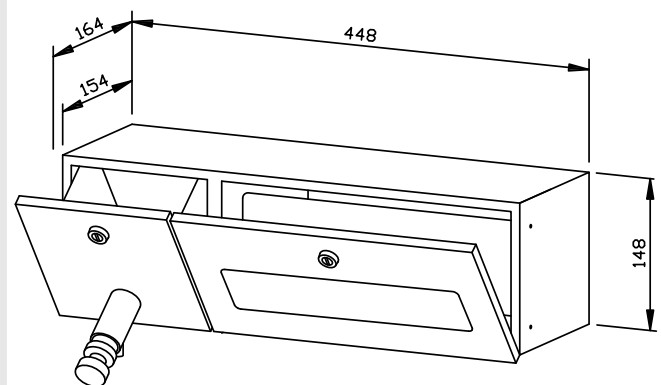


Suggested text for specifications:

Combination consisting of a liquid soap dispenser and a paper towel dispenser in stainless steel (AISI 304) for flush mounting. All-stainless steel housing; all corners fully welded, visible surfaces satin finished and brushed. Liquid soap dispenser with one-hand operated and non-drip soap pump with 1000 ml tank and pressure valve in brass. Designed for standard liquid soaps. Accessible for refilling through lockable, removable front panel with fall protection. Paper towel dispenser with deep-drawn paper removal opening, filling quantity approx. 250 paper towels. Accessible for refilling through lockable front flap. Keyed alike cylinder locks in corrosion-resistant zinc die-casting. Delivery includes fixing material and one pack of paper towels.

Dimensions: 448 x 148 x 164 mm

Article No. WP506



Available surfaces	ID No.
satin finished (standard)	727 613
highly polished	731 613
(coloured) plastic powder-coating	728 613

COMBINATION PAPER/SOAP/WASTE WP510



298 x 1348 x 120 mm

950 ml soap, 250 paper towels, 11 l waste bin

- Combination consisting of a liquid soap dispenser, a paper towel dispenser and a waste bin in robust, germ-reducing and easy-care stainless steel (AISI 304).
- All-stainless steel housing; all corners fully welded, visible surfaces satin finished and brushed. Further available surfaces: see below.
- Liquid soap dispenser with one-hand operated and non-drip soap pump.
- Designed for standard 950 ml disposable bottles of liquid soap or hand lotion.
- Also refillable with large container using the plug-in tank as an option.
- Paper towel dispenser with deep-drawn paper removal opening for easy paper removal.
- Designed for approx. 250 standard paper towels in zigzag fold. Paper size (folded): 240-250 mm x 100-115 mm.
- Inspection slots to indicate fill level.
- Accessible for refilling through lockable front flap with fall protection.
- Waste bin equipped with removable mesh basket. Capacity approx. 11 l. Accessible through lockable door with self-closing, flame-retardant disposal flap.
- Keyed alike cylinder locks in corrosion-resistant zinc die-casting.
- Wear parts can be replaced as modules.
- Mounting: With eight screws through key holes and one optional anti-theft hole in the back wall.
- Delivery includes fixing material, first fill with soap and one pack of paper towels.
- Weight, including single package: 14.6 kg

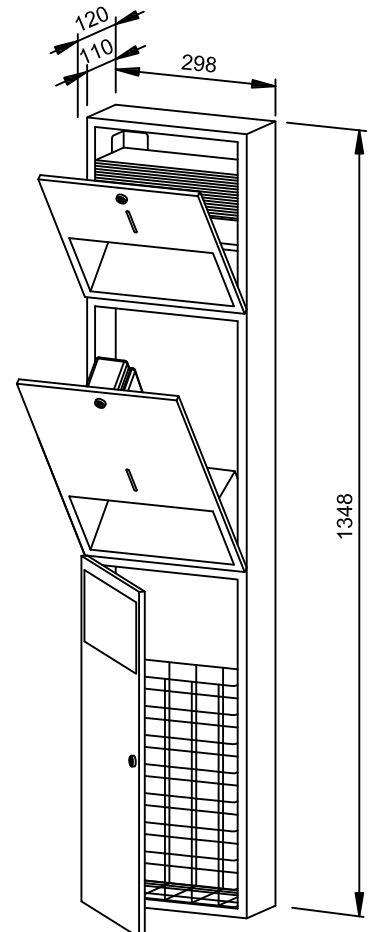


Suggested text for specifications:

Combination consisting of a liquid soap dispenser, a paper towel dispenser and a waste bin in stainless steel (AISI 304) for surface mounting. All-stainless steel housing; all corners fully welded, visible surfaces satin finished and brushed. Liquid soap dispenser with one-hand operated and non-drip soap pump. Designed for standard 950 ml disposable bottles of liquid soap or hand lotion. Paper towel dispenser with deep-drawn paper removal opening, filling quantity approx. 250 paper towels. Inspection slots to indicate fill level. Accessible for refilling through lockable front flap with fall protection. Waste bin equipped with removable mesh basket. Capacity approx. 11 l. Accessible through lockable door with self-closing, flame-retardant disposal flap. Keyed alike cylinder locks in corrosion-resistant zinc die-casting. Delivery includes fixing material, first fill with soap and one pack of paper towels.

Dimensions: 298 x 1348 x 120 mm

Article No. WP510



Available surfaces

ID No.

satin finished (standard)

727 645

highly polished

732 970

(coloured) plastic powder-coating

728 145

Ernst Wagner GmbH & Co. KG

Ernst-Abbe-Straße 21 · D-72770 Reutlingen · Tel.: +49712151539-0 · Fax: -20
info@wagner-ewar.de · www.wagner-ewar.de

WAGNER
EWAR

298 x 1348 x 120 mm

400 ml foam soap, 250 paper towels, 11 l waste bin

- Combination consisting of a foam soap dispenser, a paper towel dispenser and a waste bin in robust, germ-reducing and easy-care stainless steel (AISI 304).
- All-stainless steel housing; all corners fully welded, visible surfaces satin finished and brushed. Further available surfaces: see below.
- Foam soap dispenser with one-hand operated and non-drip foam soap pump.
- Designed for standard 400 ml foam soap concentrate.
- Paper towel dispenser with deep-drawn paper removal opening for easy paper removal.
- Designed for approx. 250 standard paper towels in zigzag fold. Paper size (folded): 240-250 mm x 100-115 mm.
- Inspection slots to indicate fill level.
- Accessible for refilling through lockable front flap with fall protection.
- Waste bin equipped with removable mesh basket. Capacity approx. 11 l. Accessible through lockable door with self-closing, flame-retardant disposal flap.
- Keyed alike cylinder locks in corrosion-resistant zinc die-casting.
- Wear parts can be replaced as modules.
- Mounting: With eight screws through key holes and one optional anti-theft hole in the back wall.
- Delivery includes fixing material, first fill with soap and one pack of paper towels.
- Weight, including single package: 14.0 kg

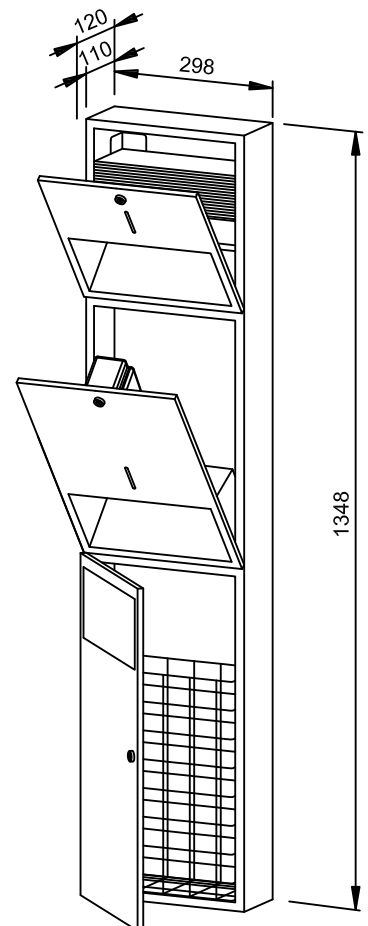


Suggested text for specifications:

Combination consisting of a foam soap dispenser, a paper towel dispenser and a waste bin in stainless steel (AISI 304) for surface mounting. All-stainless steel housing; all corners fully welded, visible surfaces satin finished and brushed. Foam soap dispenser with one-hand operated and non-drip foam soap pump. Designed for standard 400 ml foam soap concentrate. Paper towel dispenser with deep-drawn paper removal opening, filling quantity approx. 250 paper towels. Inspection slots to indicate fill level. Accessible for refilling through lockable front flap with fall protection. Waste bin equipped with removable mesh basket. Capacity approx. 11 l. Accessible through lockable door with self-closing, flame-retardant disposal flap. Keyed alike cylinder locks in corrosion-resistant zinc die-casting. Delivery includes fixing material, first fill with foam soap concentrate and one pack of paper towels.

Dimensions: 298 x 1348 x 120 mm

Article No. WP510-5



Available surfaces	ID No.
satin finished (standard)	727 785
highly polished	731 785
(coloured) plastic powder-coating	728 785

COMBINATION SENSOR-SOAP/PAPER/WASTE WP510E



298 x 1348 x 120 mm

950 ml sensor soap, 250 paper towels, 11 l waste bin

- Combination consisting of a sensor liquid soap dispenser, a paper towel dispenser and a waste bin in robust, germ-reducing and easy-care stainless steel (AISI 304).
- All-stainless steel housing; all corners fully welded, visible surfaces satin finished and brushed. Further available surfaces: see below.
- Sensor liquid soap dispenser with EWAR® eModule touch-free operated soap pump.
- Designed for standard 950 ml disposable bottles of liquid soap or hand lotion.
- Also refillable with large container using the plug-in tank as an option.
- Paper towel dispenser with deep-drawn paper removal opening for easy paper removal.
- Designed for approx. 250 standard paper towels in zigzag fold. Paper size (folded): 240-250 mm x 100-115 mm.
- Inspection slots to indicate fill level.
- Accessible for refilling through lockable front flap with fall protection.
- Waste bin equipped with removable mesh basket. Capacity approx. 11 l. Accessible through lockable door with self-closing, flame-retardant disposal flap.
- Keyed alike cylinder locks in corrosion-resistant zinc die-casting.
- eModule battery-powered with two 1.5 V Baby/LR14 batteries. Power supply available as an option.
- Wear parts can be replaced as modules.
- Mounting: With eight screws through key holes and one optional anti-theft hole in the back wall.
- Delivery includes fixing material, batteries, first fill with soap and one pack of paper towels.
- Weight, including single package: 14.8 kg

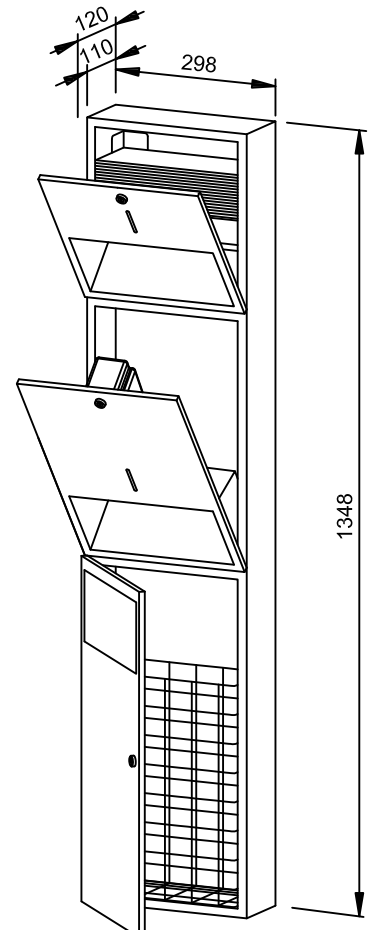


Suggested text for specifications:

Combination consisting of a sensor liquid soap dispenser, a paper towel dispenser and a waste bin in stainless steel (AISI 304) for surface mounting. All-stainless steel housing; all corners fully welded, visible surfaces satin finished and brushed. Sensor liquid soap dispenser with touch-free operated soap pump. Designed for standard 950 ml disposable bottles of liquid soap or hand lotion. Paper towel dispenser with deep-drawn paper removal opening, filling quantity approx. 250 paper towels. Inspection slots to indicate fill level. Accessible for refilling through lockable front flap with fall protection. Waste bin equipped with removable mesh basket. Capacity approx. 11 l. Accessible through lockable door with self-closing, flame-retardant disposal flap. Keyed alike cylinder locks in corrosion-resistant zinc die-casting. Delivery includes fixing material, batteries, first fill with soap and one pack of paper towels.

Dimensions: 298 x 1348 x 120 mm

Article No. WP510e



Options	ID No.
Power supply for eModule	923 060

Available surfaces	ID No.
satin finished (standard)	727 745
highly polished	731 745
(coloured) plastic powder-coating	728 745

Ernst Wagner GmbH & Co. KG

Ernst-Abbe-Straße 21 · D-72770 Reutlingen · Tel.: +49712151539-0 · Fax: -20
info@wagner-ewar.de · www.wagner-ewar.de

WAGNER
EWAR

COMBINATION PAPER/WASTE WP511



298 x 645 x 164 mm

250 paper towels, 11 l waste bin

- Combination consisting of a paper towel dispenser and a waste bin in robust, germ-reducing and easy-care stainless steel (AISI 304).
- All-stainless steel housing; all corners fully welded, visible surfaces satin finished and brushed. Further available surfaces: see below.
- Paper towel dispenser with deep-drawn paper removal opening for easy paper removal.
- Designed for approx. 250 standard paper towels in zigzag or c-fold.
Paper size (folded): 240-250 mm x 100-115 mm. Accessible for refilling through lockable front flap.
- Waste bin equipped with removable mesh basket. Capacity approx. 11 l. Accessible through lockable door with self-closing, flame-retardant disposal flap.
- Keyed alike cylinder locks in corrosion-resistant zinc die-casting.
- Wear parts can be replaced as modules.
- Mounting: With four screws through key holes and one optional anti-theft hole in the back wall off-floor below vanity unit, or as an option with console for a surcharge.
- Delivery includes fixing material and one pack of paper towels.
- Weight, including single package: 8.5 kg

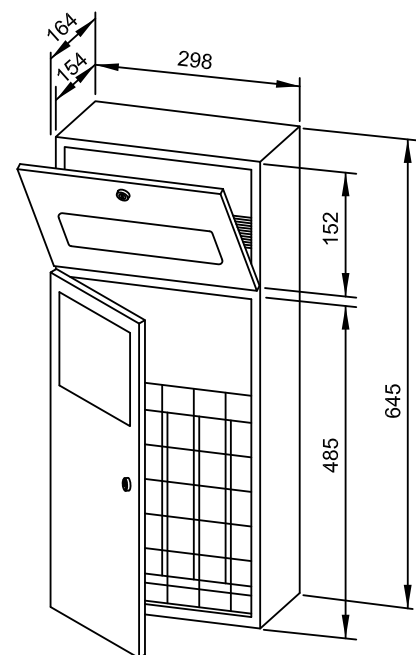


Suggested text for specifications:

Combination consisting of a paper towel dispenser and a waste bin in stainless steel (AISI 304) for under-counter mounting. All-stainless steel housing; all corners fully welded, visible surfaces satin finished and brushed. Paper towel dispenser with deep-drawn paper removal opening, filling quantity approx. 250 paper towels. Accessible for refilling through lockable front flap. Waste bin equipped with removable mesh basket. Capacity approx. 11 l. Accessible through lockable door with self-closing, flame-retardant disposal flap. Keyed alike cylinder locks in corrosion-resistant zinc die-casting. Delivery includes fixing material and one pack of paper towels.

Dimensions: 298 x 645 x 164 mm

Article No. WP511



Options	ID No.
Console (please specify dimensions)	735 630
Available surfaces	ID No.
satin finished (standard)	728 050
highly polished	732 050
(coloured) plastic powder-coating	728 137

Ernst Wagner GmbH & Co. KG

Ernst-Abbe-Straße 21 · D-72770 Reutlingen · Tel.: +49712151539-0 · Fax: -20
info@wagner-ewar.de · www.wagner-ewar.de

WAGNER
EWAR

COMBINATION PAPER/WASTE WP520



298 x 596 x 310 mm

500 paper towels, 18 l waste bin

- Combination consisting of a paper towel dispenser and a waste bin in robust, germ-reducing and easy-care stainless steel (AISI 304).
- All-stainless steel housing; all corners fully welded, visible surfaces satin finished and brushed. Further available surfaces: see below.
- Paper towel dispenser with deep-drawn paper removal opening for easy paper removal.
- Designed for approx. 500 standard paper towels in zigzag- or c-fold. Paper size (folded): 240-250 mm x 100-115 mm. Accessible for refilling through lockable drawer.
- Waste bin equipped with removable mesh basket. Capacity approx. 18 l. Accessible through lockable door with self-closing, flame-retardant disposal flap.
- Keyed alike cylinder locks in corrosion-resistant zinc die-casting.
- Wear parts can be replaced as modules.
- Mounting: With four screws through key holes and one optional anti-theft hole in the back wall off-floor below vanity unit, or as an option with console for a surcharge.
- Delivery includes fixing material and one pack of paper towels.
- Weight, including single package: 12.0 kg

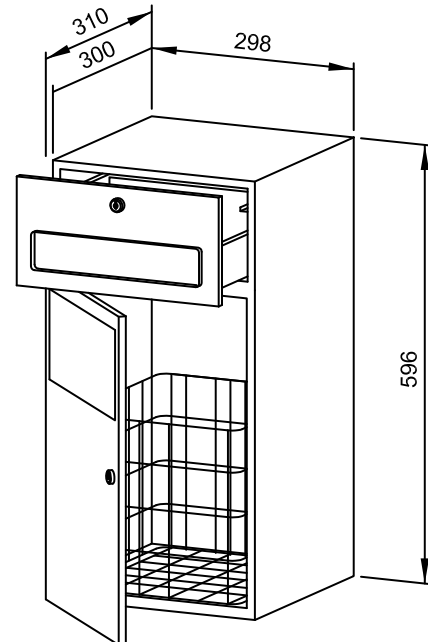


Suggested text for specifications:

Combination consisting of a paper towel dispenser and a waste bin in stainless steel (AISI 304) for under-counter mounting. All-stainless steel housing; all corners fully welded, visible surfaces satin finished and brushed. Paper towel dispenser with deep-drawn paper removal opening, filling quantity approx. 500 paper towels. Accessible for refilling through lockable drawer. Waste bin equipped with removable mesh basket. Capacity approx. 18 l. Accessible through lockable door with self-closing, flame-retardant disposal flap. Keyed alike cylinder locks in corrosion-resistant zinc die-casting. Delivery includes fixing material and one pack of paper towels.

Dimensions: 298 x 596 x 310 mm

Article No. WP520



Options	ID No.
Console (please specify dimensions)	727 652
Available surfaces	ID No.
satin finished (standard)	727 651
highly polished	731 651
(coloured) plastic powder-coating	728 132

Ernst Wagner GmbH & Co. KG

Ernst-Abbe-Straße 21 · D-72770 Reutlingen · Tel.: +49712151539-0 · Fax: -20
info@wagner-ewar.de · www.wagner-ewar.de

WAGNER
EWAR

298 x 898 x 120 mm

250 paper towels, 11 l waste bin

- Combination consisting of a paper towel dispenser and a waste bin in robust, germ-reducing and easy-care stainless steel (AISI 304).
- All-stainless steel housing; all corners fully welded, visible surfaces satin finished and brushed. Further available surfaces: see below.
- Paper towel dispenser with deep-drawn paper removal opening for easy paper removal.
- Designed for approx. 250 standard paper towels in zigzag fold. Paper size (folded): 240-250 mm x 100-115 mm.
- Inspection slot to indicate fill level.
- Accessible for refilling through lockable front flap with fall protection.
- Waste bin equipped with removable mesh basket. Capacity approx. 11 l. Accessible through lockable door with self-closing, flame-retardant disposal flap.
- Keyed alike cylinder locks in corrosion-resistant zinc die-casting.
- Wear parts and front panels can be replaced as modules.
- Installation dimensions: 300 x 900 x 110 mm
- Mounting: With four screws in wall opening through fixing holes in the side walls.
- Delivery includes fixing material and one pack of paper towels.
- Weight, including single package: 9.4 kg

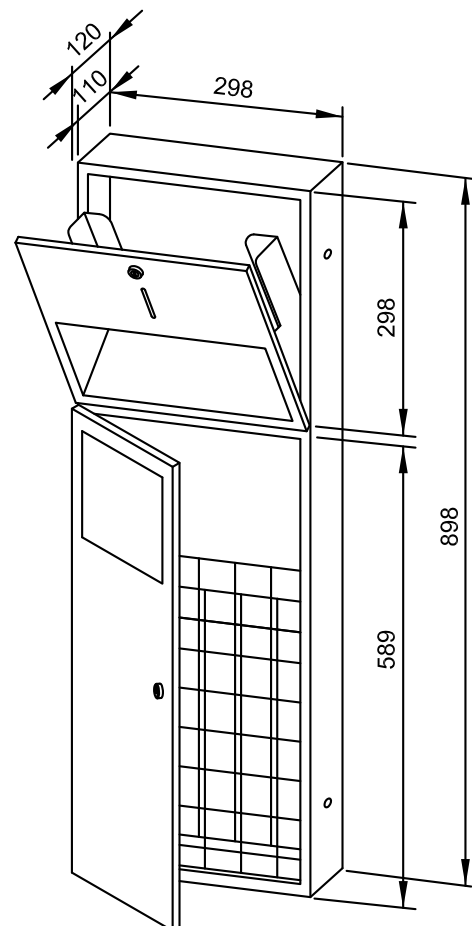


Suggested text for specifications:

Combination consisting of a paper towel dispenser and a waste bin in stainless steel (AISI 304) for flush mounting. All-stainless steel housing; all corners fully welded, visible surfaces satin finished and brushed. Paper towel dispenser with deep-drawn paper removal opening, filling quantity approx. 250 paper towels. Inspection slot to indicate fill level. Accessible for refilling through lockable front flap with fall protection. Waste bin equipped with removable mesh basket. Capacity approx. 11 l. Accessible through lockable door with self-closing, flame-retardant disposal flap. Keyed alike cylinder locks in corrosion-resistant zinc die-casting. Delivery includes fixing material and one pack of paper towels.

Dimensions: 298 x 898 x 120 mm

Article No. WP530



Available surfaces	ID No.
satin finished (standard)	722 982
highly polished	731 982
(coloured) plastic powder-coating	728 092

298 x 898 x 120 mm

250 paper towels, 11 l waste bin

- Combination consisting of a paper towel dispenser and a waste bin in robust, germ-reducing and easy-care stainless steel (AISI 304).
- All-stainless steel housing; all corners fully welded, visible surfaces satin finished and brushed.
Further available surfaces: see below.
- Paper towel dispenser with deep-drawn paper removal opening for easy paper removal.
- Designed for approx. 250 standard paper towels in zigzag fold.
Paper size (folded): 240-250 mm x 100-115 mm.
- Inspection slot to indicate fill level.
- Accessible for refilling through lockable front flap with fall protection.
- Waste bin equipped with removable mesh basket. Capacity approx. 11 l. Accessible through lockable door with self-closing, flame-retardant disposal flap.
- Keyed alike cylinder locks in corrosion-resistant zinc die-casting.
- Wear parts can be replaced as modules.
- Mounting: With four screws through key holes and one optional anti-theft hole in the back wall.
- Delivery includes fixing material and one pack of paper towels.
- Weight, including single package: 9.4 kg

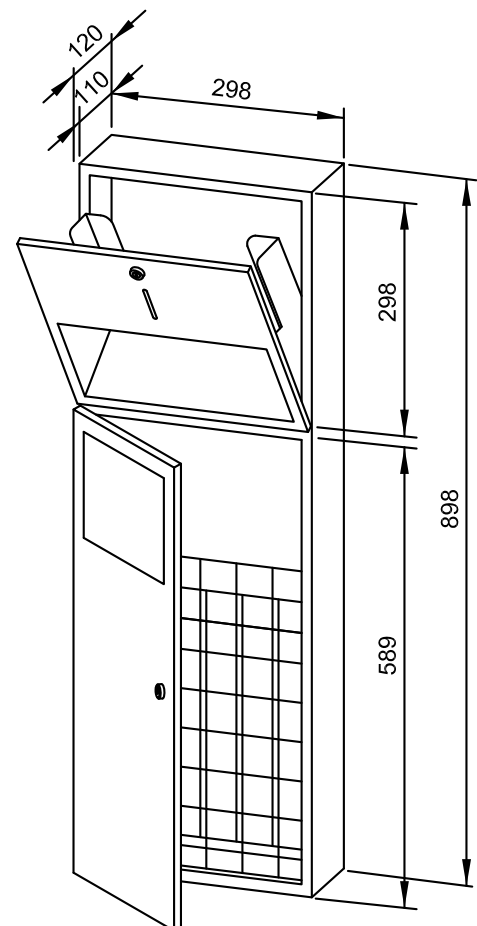


Suggested text for specifications:

Combination consisting of a paper towel dispenser and a waste bin in stainless steel (AISI 304) for surface mounting. All-stainless steel housing; all corners fully welded, visible surfaces satin finished and brushed. Paper towel dispenser with deep-drawn paper removal opening, filling quantity approx. 250 paper towels. Inspection slot to indicate fill level. Accessible for refilling through lockable front flap with fall protection. Waste bin equipped with removable mesh basket. Capacity approx. 11 l. Accessible through lockable door with self-closing, flame-retardant disposal flap. Keyed alike cylinder locks in corrosion-resistant zinc die-casting. Delivery includes fixing material and one pack of paper towels.

Dimensions: 298 x 898 x 120 mm

Article No. WP535



Available surfaces	ID No.
satin finished (standard)	722 992
highly polished	731 992
(coloured) plastic powder-coating	728 090

298 x 1048 x 120 mm

500 paper towels, 11 l waste bin

- Combination consisting of a paper towel dispenser and a waste bin in robust, germ-reducing and easy-care stainless steel (AISI 304).
- All-stainless steel housing; all corners fully welded, visible surfaces satin finished and brushed. Further available surfaces: see below.
- Paper towel dispenser with deep-drawn paper removal opening for easy paper removal.
- Designed for approx. 500 standard paper towels in zigzag fold. Paper size (folded): 240-250 mm x 100-115 mm.
- Inspection slot to indicate fill level.
- Accessible for refilling through lockable front flap with fall protection.
- Waste bin equipped with removable mesh basket. Capacity approx. 11 l. Accessible through lockable door with self-closing, flame-retardant disposal flap.
- Keyed alike cylinder locks in corrosion-resistant zinc die-casting.
- Wear parts and front panels can be replaced as modules.
- Installation dimensions: 300 x 1050 x 110 mm
- Mounting: With four screws in wall opening through fixing holes in the side walls.
- Delivery includes fixing material and one pack of paper towels.
- Weight, including single package: 10.4 kg

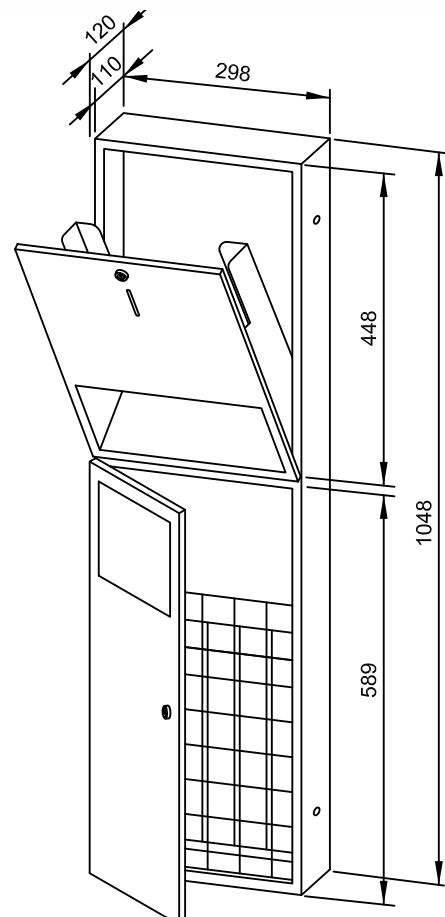


Suggested text for specifications:

Combination consisting of a paper towel dispenser and a waste bin in stainless steel (AISI 304) for flush mounting. All-stainless steel housing; all corners fully welded, visible surfaces satin finished and brushed. Paper towel dispenser with deep-drawn paper removal opening, filling quantity approx. 500 paper towels. Inspection slot to indicate fill level. Accessible for refilling through lockable front flap with fall protection. Waste bin equipped with removable mesh basket. Capacity approx. 11 l. Accessible through lockable door with self-closing, flame-retardant disposal flap. Keyed alike cylinder locks in corrosion-resistant zinc die-casting. Delivery includes fixing material and one pack of paper towels.

Dimensions: 298 x 1048 x 120 mm

Article No. WP540



Available surfaces	ID No.
satin finished (standard)	722 983
highly polished	731 983
(coloured) plastic powder-coating	728 093

298 x 1048 x 120 mm

500 paper towels, 11 l waste bin

- Combination consisting of a paper towel dispenser and a waste bin in robust, germ-reducing and easy-care stainless steel (AISI 304).
- All-stainless steel housing; all corners fully welded, visible surfaces satin finished and brushed. Further available surfaces: see below.
- Paper towel dispenser with deep-drawn paper removal opening for easy paper removal.
- Designed for approx. 500 standard paper towels in zigzag fold. Paper size (folded): 240-250 mm x 100-115 mm.
- Inspection slot to indicate fill level.
- Accessible for refilling through lockable front flap with fall protection.
- Waste bin equipped with removable mesh basket. Capacity approx. 11 l. Accessible through lockable door with self-closing, flame-retardant disposal flap.
- Keyed alike cylinder locks in corrosion-resistant zinc die-casting.
- Wear parts can be replaced as modules.
- Mounting: With four screws through key holes and one optional anti-theft hole in the back wall.
- Delivery includes fixing material and one pack of paper towels.
- Weight, including single package: 10.4 kg

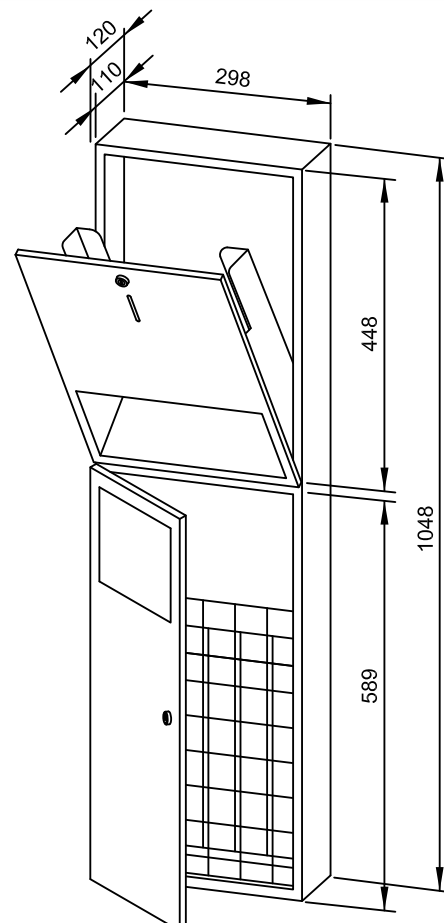


Suggested text for specifications:

Combination consisting of a paper towel dispenser and a waste bin in stainless steel (AISI 304) for surface mounting. All-stainless steel housing; all corners fully welded, visible surfaces satin finished and brushed. Paper towel dispenser with deep-drawn paper removal opening, filling quantity approx. 500 paper towels. Inspection slot to indicate fill level. Accessible for refilling through lockable front flap with fall protection. Waste bin equipped with removable mesh basket. Capacity approx. 11 l. Accessible through lockable door with self-closing, flame-retardant disposal flap. Keyed alike cylinder locks in corrosion-resistant zinc die-casting. Delivery includes fixing material and one pack of paper towels.

Dimensions: 298 x 1048 x 120 mm

Article No. WP545



Available surfaces	ID No.
satin finished (standard)	722 993
highly polished	731 993
(coloured) plastic powder-coating	728 091

400 x 298 x 120 mm

500 ml soap, 500 paper towels

- Combination consisting of a liquid soap dispenser and a paper towel dispenser in robust, germ-reducing and easy-care stainless steel (AISI 304).
- All-stainless steel housing; all corners fully welded, visible surfaces satin finished and brushed.
Further available surfaces: see below.
- Liquid soap dispenser with one-hand operated and non-drip soap pump.
- Designed for standard 500 ml disposable bottles of liquid soap or hand lotion.
- Paper towel dispenser with deep-drawn paper removal opening for easy paper removal.
- Designed for approx. 500 standard paper towels in zigzag fold.
Paper size (folded): 240-250 mm x 100-115 mm.
- Inspection slots to indicate fill level.
- Accessible for refilling through lockable front flap with fall protection.
- Keyed alike cylinder lock in corrosion-resistant zinc die-casting.
- Wear parts can be replaced as modules.
- Mounting: With four screws through key holes and one optional anti-theft hole in the back wall.
- Delivery includes fixing material, first fill with soap and one pack of paper towels.
- Weight, including single package: 4.2 kg

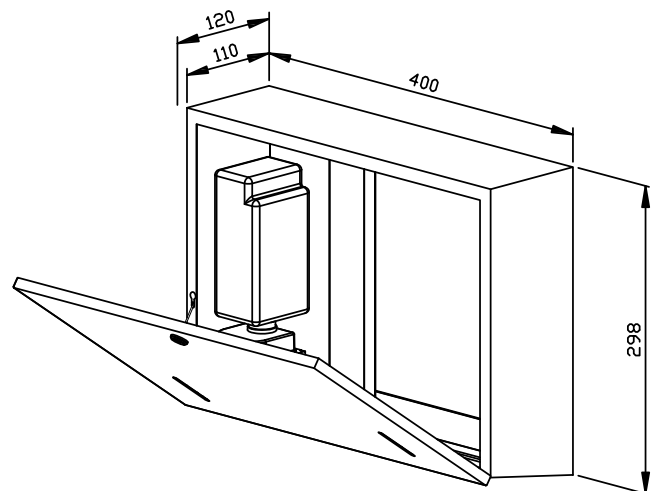


Suggested text for specifications:

Combination consisting of a liquid soap dispenser and a paper towel dispenser in stainless steel (AISI 304) for surface mounting. All-stainless steel housing; all corners fully welded, visible surfaces satin finished and brushed. Liquid soap dispenser with one-hand operated and non-drip soap pump. Designed for standard 500 ml disposable bottles of liquid soap or hand lotion. Paper towel dispenser with deep-drawn paper removal opening, filling quantity approx. 500 paper towels. Inspection slots to indicate fill level. Accessible for refilling through lockable front flap with fall protection. Keyed alike cylinder lock in corrosion-resistant zinc die-casting. Delivery includes fixing material, first fill with soap and one pack of paper towels.

Dimensions: 400 x 298 x 120 mm

Article No. WP550



Available surfaces	ID No.
satin finished (standard)	727 780
highly polished	731 780
(coloured) plastic powder-coating	728 780

400 x 298 x 120 mm

400 ml foam soap, 500 paper towels

- Combination consisting of a foam soap dispenser and a paper towel dispenser in robust, germ-reducing and easy-care stainless steel (AISI 304).
- All-stainless steel housing; all corners fully welded, visible surfaces satin finished and brushed.
Further available surfaces: see below.
- Foam soap dispenser with one-hand operated and non-drip foam soap pump.
- Designed for standard 400 ml foam soap concentrate.
- Paper towel dispenser with deep-drawn paper removal opening for easy paper removal.
- Designed for approx. 500 standard paper towels in zigzag fold.
Paper size (folded): 240-250 mm x 100-115 mm.
- Inspection slots to indicate fill level.
- Accessible for refilling through lockable front flap with fall protection.
- Keyed alike cylinder lock in corrosion-resistant zinc die-casting.
- Wear parts can be replaced as modules.
- Mounting: With four screws through key holes and one optional anti-theft hole in the back wall.
- Delivery includes fixing material, first fill with foam soap concentrate and one pack of paper towels.
- Weight, including single package: 4.1 kg

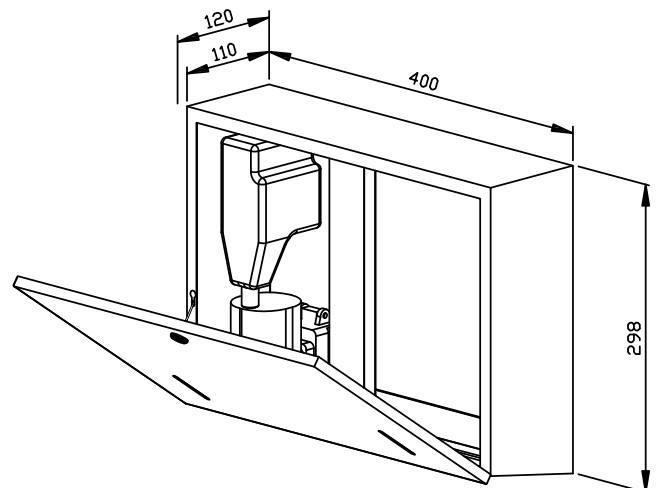


Suggested text for specifications:

Combination consisting of a foam soap dispenser and a paper towel dispenser in stainless steel (AISI 304) for surface mounting. All-stainless steel housing; all corners fully welded, visible surfaces satin finished and brushed. Foam soap dispenser with one-hand operated and non-drip foam soap pump. Designed for standard 400 ml foam soap concentrate. Paper towel dispenser with deep-drawn paper removal opening, filling quantity approx. 500 paper towels. Inspection slots to indicate fill level. Accessible for refilling through lockable front flap with fall protection. Keyed alike cylinder lock in corrosion-resistant zinc die-casting. Delivery includes fixing material, first fill with foam soap concentrate and one pack of paper towels.

Dimensions: 400 x 298 x 120 mm

Article No. WP550-5



Available surfaces	ID No.
satin finished (standard)	727 787
highly polished	731 787
(coloured) plastic powder-coating	728 787

COMBINATION SENSOR SOAP/PAPER WP550E



400 x 298 x 120 mm

500 ml sensor soap, 500 paper towels

- Combination consisting of a sensor liquid soap dispenser and a paper towel dispenser in robust, germ-reducing and easy-care stainless steel (AISI 304).
- All-stainless steel housing; all corners fully welded, visible surfaces satin finished and brushed. Further available surfaces: see below.
- Sensor liquid soap dispenser with EWAR® eModule touch-free operated soap pump.
- Designed for standard 500 ml disposable bottles of liquid soap or hand lotion.
- Paper towel dispenser with deep-drawn paper removal opening for easy paper removal.
- Designed for approx. 500 standard paper towels in zigzag fold. Paper size (folded): 240-250 mm x 100-115 mm.
- Inspection slots to indicate fill level.
- Accessible for refilling through lockable front flap with fall protection.
- Keyed alike cylinder lock in corrosion-resistant zinc die-casting.
- eModule battery-powered with two 1.5 V Baby/LR14 batteries. Power supply available as an option.
- Wear parts can be replaced as modules.
- Mounting: With four screws through key holes and one optional anti-theft hole in the back wall.
- Delivery includes fixing material, batteries, first fill with soap and one pack of paper towels.
- Weight, including single package: 4.5 kg

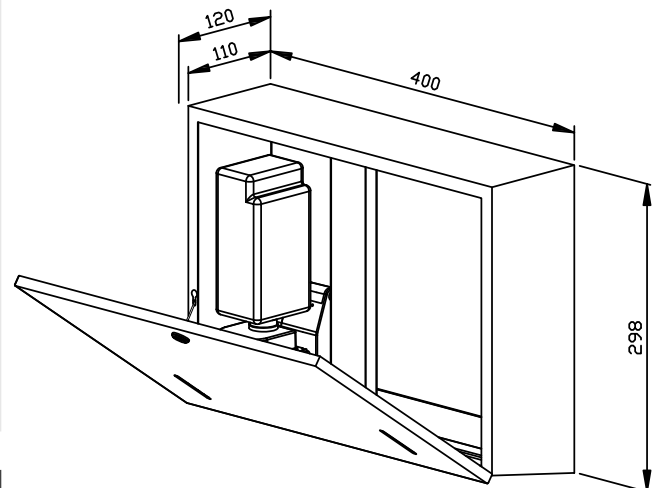


Suggested text for specifications:

Combination consisting of a sensor liquid soap dispenser and a paper towel dispenser in stainless steel (AISI 304) for surface mounting. All-stainless steel housing; all corners fully welded, visible surfaces satin finished and brushed. Sensor liquid soap dispenser with touch-free operated soap pump. Designed for standard 500 ml disposable bottles of liquid soap or hand lotion. Paper towel dispenser with deep-drawn paper removal opening, filling quantity approx. 500 paper towels. Inspection slots to indicate fill level. Accessible for refilling through lockable front flap with fall protection. Keyed alike cylinder lock in corrosion-resistant zinc die-casting. Delivery includes fixing material, batteries, first fill with soap and one pack of paper towels.

Dimensions: 400 x 298 x 120 mm

Article No. WP550e



Options	ID No.
Power supply for eModule	923 060

Available surfaces	ID No.
satin finished (standard)	727 782
highly polished	731 782
(coloured) plastic powder-coating	728 782

Ernst Wagner GmbH & Co. KG

Ernst-Abbe-Straße 21 · D-72770 Reutlingen · Tel.: +49712151539-0 · Fax: -20
info@wagner-ewar.de · www.wagner-ewar.de

WAGNER
EWAR

298 x 298 x 121 mm

950 ml soap, 950 ml disinfectant, 950 ml lotion

- Combination consisting of a liquid soap-, disinfectant- and lotion dispenser in robust, germ-reducing and easy-care stainless steel (AISI 316L).
- All-stainless steel housing; all corners fully welded, visible surfaces satin finished and brushed. Further available surfaces: see below.
- Soap or lotion dispenser with one-hand operated and non-drip soap or lotion pump. Designed for standard 950 ml disposable bottles of liquid soap or lotion. Also refillable with large container using the plug-in tank as an option.
- Disinfectant dispenser with one-hand operated disinfectant pump with 950 ml tank arranged in the middle. Designed for standard disinfectants for hands. Note: Not approved for medical areas.
- Inspection slots to indicate fill level.
- Accessible for refilling through lockable, hinged housing.
- Keyed alike cylinder lock in corrosion-resistant zinc die-casting.
- Wear parts can be replaced as modules.
- Mounting: With four screws through key holes and one optional anti-theft hole in the back wall.
- Delivery includes fixing material, first fill with soap and lotion.
- Weight, including single package: 5.3 kg

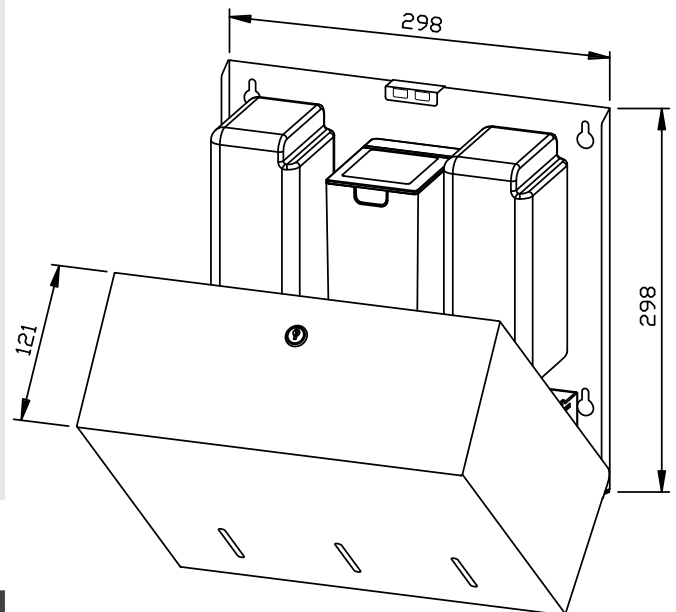


Suggested text for specifications:

Combination consisting of a liquid soap, disinfectant and lotion dispenser in stainless steel (AISI 316L) for surface mounting. All-stainless steel housing; all corners fully welded, visible surfaces satin finished and brushed. Soap or lotion dispenser with one-hand operated and non-drip soap or lotion pump. Designed for standard 950 ml disposable bottles of liquid soap or lotion. Disinfectant dispenser with one-hand operated disinfectant pump with 950 ml tank arranged in the middle. Designed for standard disinfectants for hands. Inspection slots to indicate fill level. Accessible for refilling through lockable, hinged housing. Keyed alike cylinder lock in corrosion-resistant zinc die-casting. Delivery includes fixing material, first fill with soap and lotion.

Dimensions: 298 x 298 x 121 mm

Article No. WP575



Options	ID No.
Plug-in tank	937 201
Available surfaces	ID No.
satin finished (standard)	727 730
highly polished	731 730
(coloured) plastic powder-coating	728 730

Ernst Wagner GmbH & Co. KG

Ernst-Abbe-Straße 21 · D-72770 Reutlingen · Tel.: +49712151539-0 · Fax: -20
info@wagner-ewar.de · www.wagner-ewar.de

298 x 298 x 121 mm

Sensor 950 ml soap, 950 ml disinfectant, 950 ml lotion

- Sensor combination consisting of a sensor liquid soap-, disinfectant- and lotion dispenser in robust, germ-reducing and easy-care stainless steel (AISI 316L).
- All-stainless steel housing; all corners fully welded, visible surfaces satin finished and brushed. Further available surfaces: see below.
- Sensor soap or lotion dispenser with EWAR® eModule touch-free operated and non-drip soap and lotion pump. Designed for standard 950 ml disposable bottles of liquid soap or lotion. Also refillable with large container using the plug-in tank as an option
- Sensor disinfectant dispenser with EWAR® eModule touch-free operated disinfectant pump with 950 ml tank arranged in the middle. Designed for standard disinfectants for hands. Note: Not approved for medical areas.
- Inspection slots to indicate fill level.
- Accessible for refilling through lockable, hinged housing.
- Keyed alike cylinder lock in corrosion-resistant zinc die-casting.
- eModule battery-powered with two 1.5 V Baby/LR14 batteries. Power supply available as an option.
- Wear parts can be replaced as modules.
- Mounting: With four screws through key holes and one optional anti-theft hole in the back wall.
- Delivery includes fixing material, batteries and first fill with soap and lotion.
- Weight, including single package: 6.2 kg

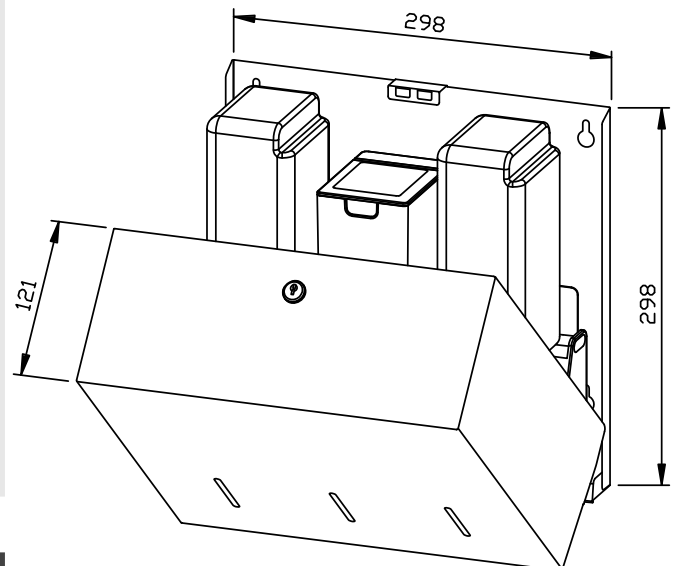


Suggested text for specifications:

Sensor combination consisting of a sensor liquid soap, disinfectant and lotion dispenser in stainless steel (AISI 316L) for surface mounting. All-stainless steel housing; all corners fully welded, visible surfaces satin finished and brushed. Sensor soap or lotion dispenser with touch-free operated and non-drip soap or lotion pump. Designed for standard 950 ml disposable bottles of liquid soap or lotion. Sensor disinfectant dispenser with touch-free operated disinfectant pump with 950 ml tank arranged in the middle. Designed for standard disinfectants for hands. Inspection slots to indicate fill level. Accessible for refilling through lockable, hinged housing. Keyed alike cylinder lock in corrosion-resistant zinc die-casting. Delivery includes fixing material, batteries and first fill with soap and lotion.

Dimensions: 298 x 298 x 121 mm

Article No. WP575e



Options	ID No.
Plug-in tank	937 201
Power supply for eModule	923 060
Available surfaces	ID No.
satin finished (standard)	727 735
highly polished	731 735
(coloured) plastic powder-coating	728 735

COMBINATION SOAP/LOTION WP585



218 x 298 x 121 mm

950 ml soap, 950 ml lotion

- Combination consisting of a liquid soap- and lotion dispenser in robust, germ-reducing and easy-care stainless steel (AISI 316L).
- All-stainless steel housing; all corners fully welded, visible surfaces satin finished and brushed. Further available surfaces: see below.
- Soap or lotion dispenser with one-hand operated and non-drip soap or lotion pump. Designed for standard 950 ml disposable bottles of liquid soap or lotion. Also refillable with large container using the plug-in tank as an option.
- Inspection slots to indicate fill level.
- Accessible for refilling through lockable, hinged housing.
- Keyed alike cylinder lock in corrosion-resistant zinc die-casting.
- Wear parts can be replaced as modules.
- Mounting: With four screws through key holes and one optional anti-theft hole in the back wall.
- Delivery includes fixing material, first fill with soap and lotion.
- Weight, including single package: 4.4 kg

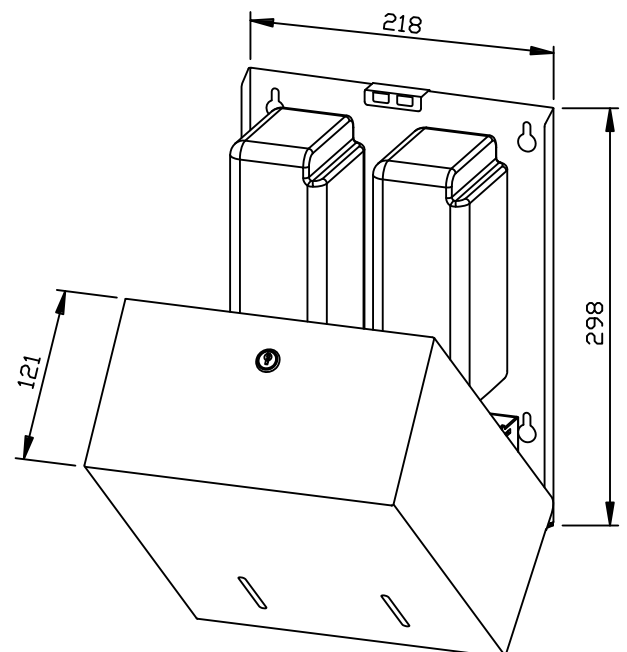


Suggested text for specifications:

Combination consisting of a liquid soap and lotion dispenser in stainless steel (AISI 316L) for surface mounting. All-stainless steel housing; all corners fully welded, visible surfaces satin finished and brushed. Soap or lotion dispenser with one-hand operated and non-drip soap or lotion pump. Designed for standard 950 ml disposable bottles of liquid soap or lotion. Inspection slots to indicate fill level. Accessible for refilling through lockable, hinged housing. Keyed alike cylinder lock in corrosion-resistant zinc die-casting. Delivery includes fixing material, first fill with soap and lotion.

Dimensions: 218 x 298 x 121 mm

Article No. WP585



Options	ID No.
Plug-in tank	937 201
Available surfaces	ID No.
satin finished (standard)	727 720
highly polished	731 720
(coloured) plastic powder-coating	728 720

Ernst Wagner GmbH & Co. KG

Ernst-Abbe-Straße 21 · D-72770 Reutlingen · Tel.: +49712151539-0 · Fax: -20
info@wagner-ewar.de · www.wagner-ewar.de

WAGNER
EWAR

COMBINATION SOAP/DISINFECTANT WP585-7



218 x 298 x 121 mm

950 ml soap, 950 ml tank disinfectant

- Combination consisting of a liquid soap- and disinfectant dispenser in robust, germ-reducing and easy-care stainless steel (AISI 316L).
- All-stainless steel housing; all corners fully welded, visible surfaces satin finished and brushed.
Further available surfaces: see below.
- Soap dispenser with one-hand operated and non-drip soap pump. Designed for standard 950 ml disposable bottles of liquid soap. Also refillable with large container using the plug-in tank as an option.
- Disinfectant dispenser with one-hand operated disinfectant pump with 950 ml tank. Designed for standard disinfectants for hands. Note: Not approved for medical areas.
- Inspection slots to indicate fill level.
- Accessible for refilling through lockable, hinged housing.
- Keyed alike cylinder lock in corrosion-resistant zinc die-casting.
- Wear parts can be replaced as modules.
- Mounting: With four screws through key holes and one optional anti-theft hole in the back wall.
- Delivery includes fixing material and first fill with soap.
- Weight, including single package: 3.4 kg

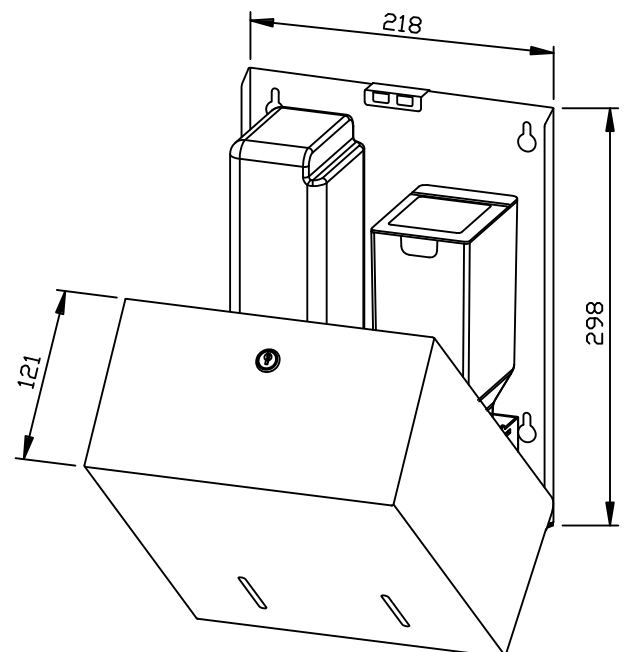


Suggested text for specifications:

Combination consisting of a liquid soap and disinfectant dispenser in stainless steel (AISI 316L) for surface mounting. All-stainless steel housing; all corners fully welded, visible surfaces satin finished and brushed. Soap dispenser with one-hand operated and non-drip soap pump. Designed for standard 950 ml disposable bottles of liquid soap. Disinfectant dispenser with one-hand operated disinfectant pump with 950 ml tank. Designed for standard disinfectants for hands. Inspection slots to indicate fill level. Accessible for refilling through lockable, hinged housing. Keyed alike cylinder lock in corrosion-resistant zinc die-casting. Delivery includes fixing material, first fill with soap and lotion.

Dimensions: 218 x 298 x 121 mm

Article No. WP585-7



Options	ID No.
Plug-in tank	937 201
Available surfaces	ID No.
satin finished (standard)	727 721
highly polished	731 721
(coloured) plastic powder-coating	728 721

Ernst Wagner GmbH & Co. KG

Ernst-Abbe-Straße 21 · D-72770 Reutlingen · Tel.: +49712151539-0 · Fax: -20
info@wagner-ewar.de · www.wagner-ewar.de

WAGNER
EWAR

SENSOR COMBINATION SOAP/LOTION WP585E



218 x 298 x 121 mm

Sensor 950 ml soap, 950 ml lotion

- Sensor hand care combination consisting of a sensor liquid soap- and lotion dispenser in robust, germ-reducing and easy-care stainless steel (AISI 316L).
- All-stainless steel housing; all corners fully welded, visible surfaces satin finished and brushed. Further available surfaces: see below.
- Sensor soap and lotion dispenser with EWAR® eModule touch-free operated and non-drip soap and lotion pump. Designed for standard 950 ml disposable bottles of liquid soap or lotion. Also refillable with large container using the plug-in tank as an option.
- Inspection slots to indicate fill level.
- Accessible for refilling through lockable, hinged housing.
- Keyed alike cylinder lock in corrosion-resistant zinc die-casting.
- eModule battery-powered with two 1.5 V Baby/LR14 batteries. Power supply available as an option.
- Wear parts can be replaced as modules.
- Mounting: With four screws through key holes and one optional anti-theft hole in the back wall.
- Delivery includes fixing material, batteries and first fill with soap and lotion.
- Weight, including single package: 5.1 kg

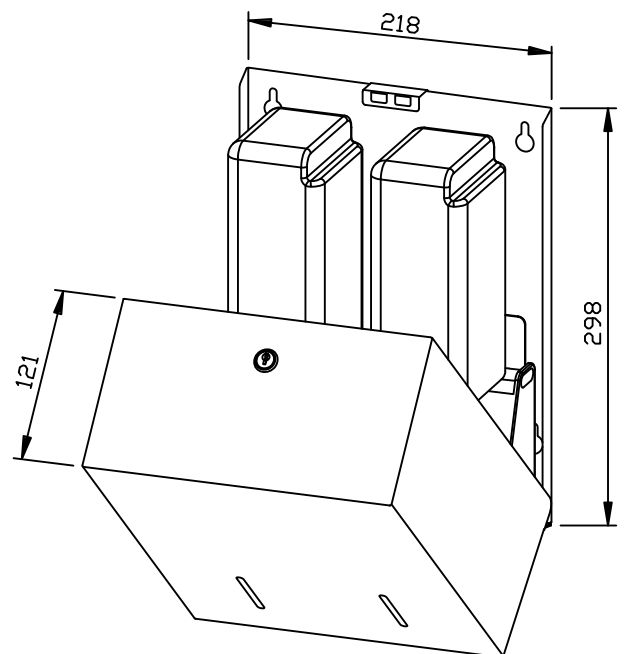


Suggested text for specifications:

Sensor combination consisting of a sensor liquid soap and lotion dispenser in stainless steel (AISI 316L) for surface mounting. All-stainless steel housing; all corners fully welded, visible surfaces satin finished and brushed. Sensor soap and lotion dispenser with touch-free operated and non-drip soap or lotion pump. Designed for standard 950 ml disposable bottles of liquid soap or lotion. Inspection slots to indicate fill level. Accessible for refilling through lockable, hinged housing. Keyed alike cylinder lock in corrosion-resistant zinc die-casting. Delivery includes fixing material, batteries and first fill with soap and lotion.

Dimensions: 218 x 298 x 121 mm

Article No. WP585e



Options	ID No.
Plug-in tank	937 201
Power supply for eModule	923 060
Available surfaces	ID No.
satin finished (standard)	727 725
highly polished	731 725
(coloured) plastic powder-coating	728 725

Ernst Wagner GmbH & Co. KG

Ernst-Abbe-Straße 21 · D-72770 Reutlingen · Tel.: +49712151539-0 · Fax: -20
info@wagner-ewar.de · www.wagner-ewar.de

WAGNER
EWAR

218 x 298 x 121 mm

Sensor 950 ml soap, 950 ml tank disinfectant

- Sensor combination consisting of a sensor liquid soap- and disinfectant dispenser in robust, germ-reducing and easy-care stainless steel (AISI 316L).
- All-stainless steel housing; all corners fully welded, visible surfaces satin finished and brushed. Further available surfaces: see below.
- Sensor soap dispenser with EWAR® eModule touch-free operated and non-drip soap pump. Designed for standard 950 ml disposable bottles of liquid soap. Also refillable with large container using the plug-in tank as an option.
- Sensor disinfectant dispenser with EWAR® eModule touch-free operated disinfectant pump with 950 ml tank. Designed for standard disinfectants for hands. Note: Not approved for medical areas.
- Inspection slots to indicate fill level.
- Accessible for refilling through lockable, hinged housing.
- Keyed alike cylinder lock in corrosion-resistant zinc die-casting.
- eModule battery-powered with two 1.5 V Baby/LR14 batteries. Power supply available as an option.
- Wear parts can be replaced as modules.
- Mounting: With four screws through key holes and one optional anti-theft hole in the back wall.
- Delivery includes fixing material, batteries and first fill with soap.
- Weight, including single package: 4.0 kg

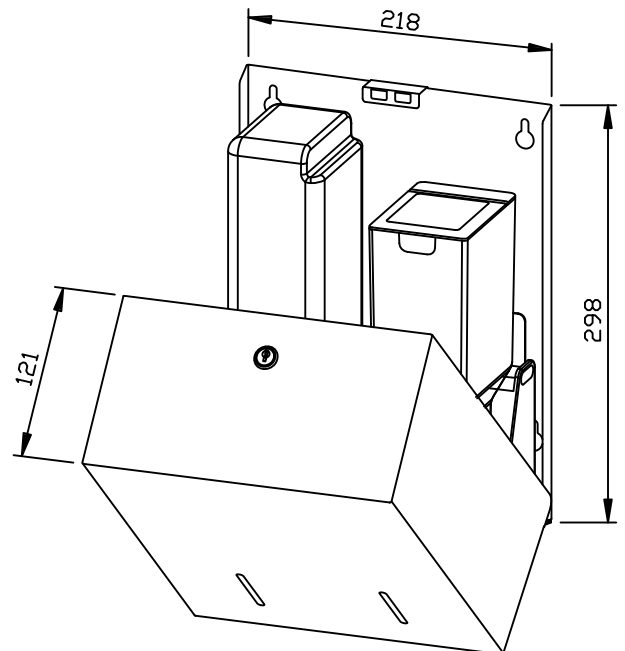


Suggested text for specifications:

Sensor combination consisting of a sensor liquid soap and disinfectant dispenser in stainless steel (AISI 316L) for surface mounting. All-stainless steel housing; all corners fully welded, visible surfaces satin finished and brushed. Sensor soap dispenser with touch-free operated and non-drip soap pump. Designed for standard 950 ml disposable bottles of liquid soap. Sensor disinfectant dispenser with touch-free operated disinfectant pump with 950 ml tank. Designed for standard disinfectants for hands. Inspection slots to indicate fill level. Accessible for refilling through lockable, hinged housing. Keyed alike cylinder lock in corrosion-resistant zinc die-casting. Delivery includes fixing material, batteries and first fill with soap.

Dimensions: 218 x 298 x 121 mm

Article No. WP585e-7



Options	ID No.
Plug-in tank	937 201
Power supply for eModule	923 060
Available surfaces	ID No.
satin finished (standard)	727 726
highly polished	731 726
(coloured) plastic powder-coating	728 726

Ernst Wagner GmbH & Co. KG

Ernst-Abbe-Straße 21 · D-72770 Reutlingen · Tel.: +49712151539-0 · Fax: -20
info@wagner-ewar.de · www.wagner-ewar.de

MIRROR CUPBOARD SOAP/PAPER WP600



450 x 450 x 130 mm

950 ml soap, 500 paper towels

- Mirror cupboard with integrated liquid soap dispenser and paper towel dispenser in robust, germ-reducing and easy-care stainless steel (AISI 304).
- All-stainless steel housing; visible surfaces satin finished and brushed.
- Crystal mirror with all round 2 mm chamfer and frosted window for optional lighting set.
- Liquid soap dispenser with one-hand operated and non-drip soap pump.
- Designed for standard 950 ml disposable bottles of liquid soap or hand lotion.
- Also refillable with large container using the plug-in tank as an option.
- Paper towel dispenser with deep-drawn paper removal opening for easy paper removal.
- Designed for approx. 500 standard paper towels in zigzag fold. Paper size (folded): 240-250 mm x 100-115 mm.
- Accessible for refilling through lockable door.
- Keyed alike cylinder lock in corrosion-resistant zinc die-casting.
- Wear parts can be replaced as modules.
- Mounting: With four screws through key holes and one optional anti-theft hole in the back wall.
- Delivery includes fixing material, first fill with soap and one pack of paper towels.
- Weight, including single package: 12.0 kg

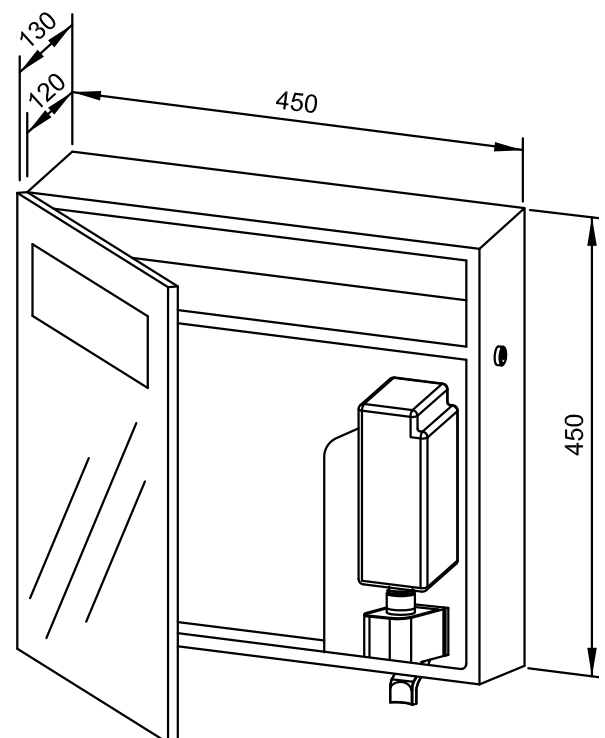


Suggested text for specifications:

Mirror cupboard with integrated liquid soap dispenser and paper towel dispenser in stainless steel (AISI 304) for surface mounting. All-stainless steel housing; visible surfaces satin finished and brushed. Crystal mirror with all round 2 mm chamfer and frosted window for optional lighting set. Liquid soap dispenser with one-hand operated and non-drip soap pump. Designed for standard 950 ml disposable bottles of liquid soap or hand lotion. Paper towel dispenser with deep-drawn paper removal opening, filling quantity approx. 500 paper towels. Accessible for refilling through lockable door. Keyed alike cylinder lock in corrosion-resistant zinc die-casting. Delivery includes fixing material, first fill with soap and one pack of paper towels.

Dimensions: 450 x 450 x 130 mm

Article No. WP600



Options	ID No.
Lighting set	727 853
Available surface	ID No.
satin finished	727 850

Ernst Wagner GmbH & Co. KG

Ernst-Abbe-Straße 21 · D-72770 Reutlingen · Tel.: +49712151539-0 · Fax: -20
info@wagner-ewar.de · www.wagner-ewar.de

WAGNER
EWAR

MIRROR CUPBOARD FOAM SOAP/PAPER WP600-5



450 x 450 x 130 mm

400 ml foam soap, 500 paper towels

- Mirror cupboard with integrated foam soap dispenser and paper towel dispenser in robust, germ-reducing and easy-care stainless steel (AISI 304).
- All-stainless steel housing; visible surfaces satin finished and brushed.
- Crystal mirror with all round 2 mm chamfer and frosted window for optional lighting set.
- Foam soap dispenser with one-hand operated and non-drip foam soap pump.
- Designed for standard 400 ml foam soap concentrate.
- Paper towel dispenser with deep-drawn paper removal opening for easy paper removal.
- Designed for approx. 500 standard paper towels in zigzag fold. Paper size (folded): 240-250 mm x 100-115 mm.
- Accessible for refilling through lockable door.
- Keyed alike cylinder lock in corrosion-resistant zinc die-casting.
- Wear parts can be replaced as modules.
- Mounting: With four screws through key holes and one optional anti-theft hole in the back wall.
- Delivery includes fixing material, first fill with foam soap concentrate and one pack of paper towels.
- Weight, including single package: 11.5 kg

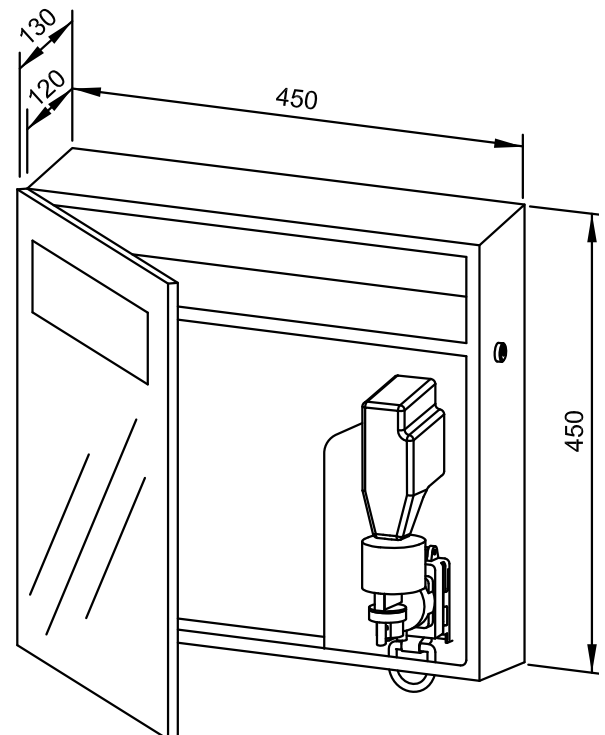


Suggested text for specifications:

Mirror cupboard with integrated foam soap dispenser and paper towel dispenser in stainless steel (AISI 304) for surface mounting. All-stainless steel housing; visible surfaces satin finished and brushed. Crystal mirror with all round 2 mm chamfer and frosted window for optional lighting set. Foam soap dispenser with one-hand operated and non-drip foam soap pump. Designed for standard 400 ml foam soap concentrate. Paper towel dispenser with deep-drawn paper removal opening, filling quantity approx. 500 paper towels. Accessible for refilling through lockable door. Keyed alike cylinder lock in corrosion-resistant zinc die-casting. Delivery includes fixing material, first fill with foam soap concentrate and one pack of paper towels.

Dimensions: 450 x 450 x 130 mm

Article No. WP600-5



Options	ID No.
Lighting set	727 853
Available surface	ID No.
satin finished	727 852

Ernst Wagner GmbH & Co. KG

Ernst-Abbe-Straße 21 · D-72770 Reutlingen · Tel.: +49712151539-0 · Fax: -20
info@wagner-ewar.de · www.wagner-ewar.de

WAGNER
EWAR

MIRROR CUPBOARD SENSOR SOAP/PAPER WP600E



450 x 450 x 130 mm

950 ml sensor soap, 500 paper towels

- Mirror cupboard with integrated sensor liquid soap dispenser and paper towel dispenser in robust, germ-reducing and easy-care stainless steel (AISI 304).
- All-stainless steel housing; visible surfaces satin finished and brushed.
- Crystal mirror with all round 2 mm chamfer and frosted window for optional lighting set.
- Sensor liquid soap dispenser with EWAR® eModule touch-free operated soap pump.
- Designed for standard 950 ml disposable bottles of liquid soap or hand lotion.
- Also refillable with large container using the plug-in tank as an option.
- Paper towel dispenser with deep-drawn paper removal opening for easy paper removal.
- Designed for approx. 500 standard paper towels in zigzag fold. Paper size (folded): 240-250 mm x 100-115 mm.
- Accessible for refilling through lockable door.
- Keyed alike cylinder lock in corrosion-resistant zinc die-casting.
- eModule battery-powered with two 1.5 V Baby/LR14 batteries. Power supply available as an option.
- Wear parts can be replaced as modules.
- Mounting: With four screws through key holes and one optional anti-theft hole in the back wall.
- Delivery includes fixing material, batteries, first fill with soap and one pack of paper towels.
- Weight, including single package: 12.2 kg

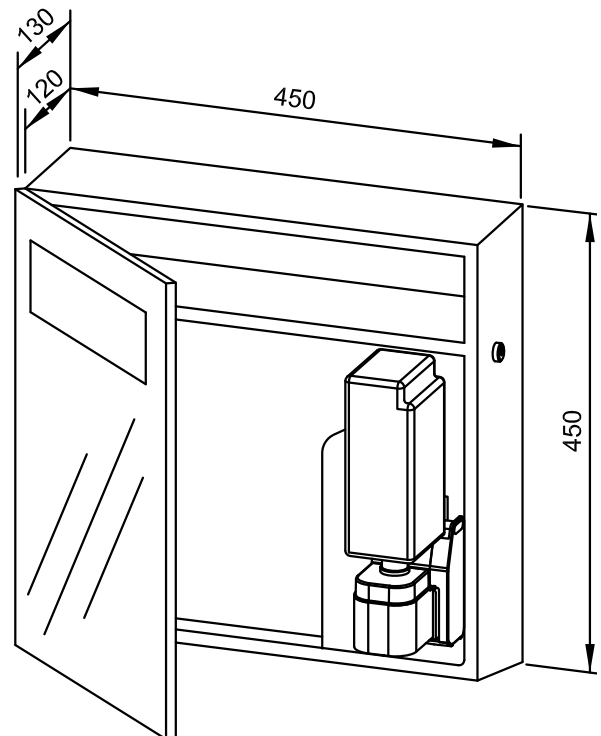


Suggested text for specifications:

Mirror cupboard with integrated sensor liquid soap dispenser and paper towel dispenser in stainless steel (AISI 304) for surface mounting. All-stainless steel housing; visible surfaces satin finished and brushed. Crystal mirror with all round 2 mm chamfer and frosted window for optional lighting set. Sensor liquid soap dispenser with touch-free operated soap pump. Designed for standard 950 ml disposable bottles of liquid soap or hand lotion. Paper towel dispenser with deep-drawn paper removal opening, filling quantity approx. 500 paper towels. Accessible for refilling through lockable door. Keyed alike cylinder lock in corrosion-resistant zinc die-casting. Delivery includes fixing material, batteries, first fill with soap and one pack of paper towels.

Dimensions: 450 x 450 x 130 mm

Article No. WP600e



Options	ID No.
Power supply for eModule	923 060
Lighting set	727 853
Available surface	ID No.
satin finished	727 851

Ernst Wagner GmbH & Co. KG

Ernst-Abbe-Straße 21 · D-72770 Reutlingen · Tel.: +49712151539-0 · Fax: -20
info@wagner-ewar.de · www.wagner-ewar.de

WAGNER
EWAR

STAINLESS STEEL MIRROR WP601



600 x 600 x 1 mm

- Mirror in robust, germ-reducing and easy-care stainless steel mirror sheet metal (AISI 304).
- Mounting: With four Torx® locking screws.
- Delivery includes fixing material.
- Weight, including single package: 2.9 kg
- Other dimensions available upon request.

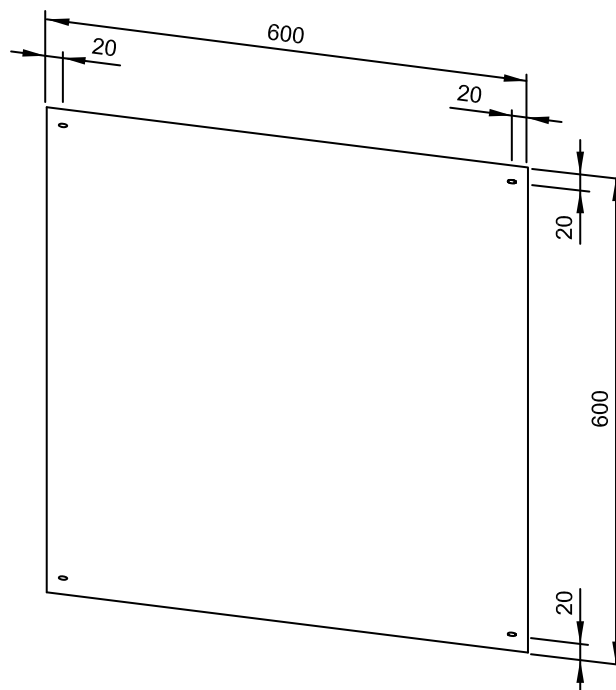


Suggested text for specifications:

Mirror in stainless steel mirror sheet metal (AISI 304) for surface mounting. Delivery includes four Torx® locking screws.

Dimensions: 600 x 600 x 1 mm

Article No. WP601



Available surface	ID No.
Mirror sheet metal	727 855

Ernst Wagner GmbH & Co. KG

Ernst-Abbe-Straße 21 · D-72770 Reutlingen · Tel.: +49712151539-0 · Fax: -20
info@wagner-ewar.de · www.wagner-ewar.de

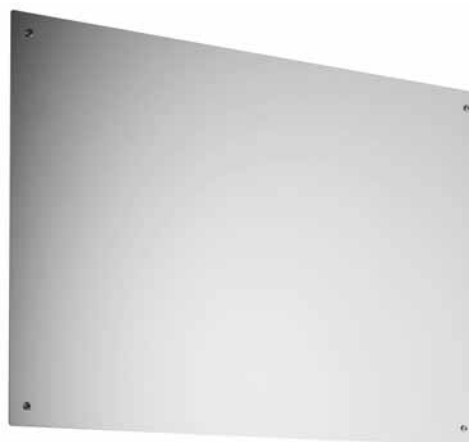
WAGNER
EWAR

STAINLESS STEEL MIRROR WP602



600 x 400 x 1 mm

- Mirror in robust, germ-reducing and easy-care stainless steel mirror sheet metal (AISI 304).
- Mounting: With four Torx® locking screws.
- Delivery includes fixing material.
- Weight, including single package: 1.8 kg
- Other dimensions available upon request.

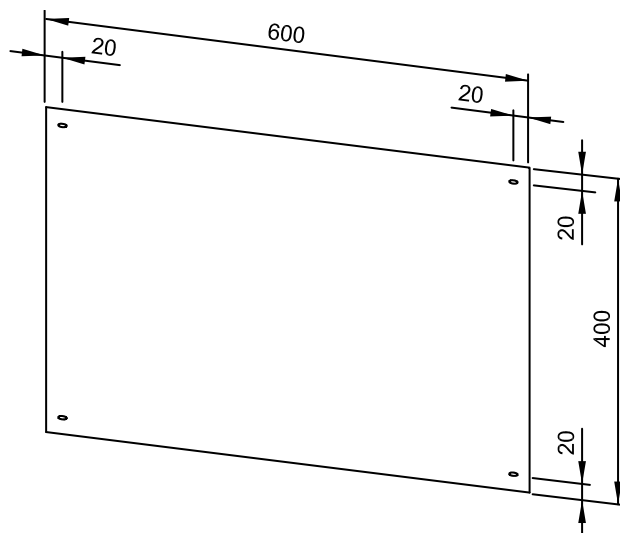


Suggested text for specifications:

Mirror in stainless steel mirror sheet metal (AISI 304) for surface mounting. Delivery includes four Torx® locking screws.

Dimensions: 600 x 400 x 1 mm

Article No. WP602



Available surface	ID No.
Mirror sheet metal	727 865

Ernst Wagner GmbH & Co. KG

Ernst-Abbe-Straße 21 · D-72770 Reutlingen · Tel.: +49712151539-0 · Fax: -20
info@wagner-ewar.de · www.wagner-ewar.de

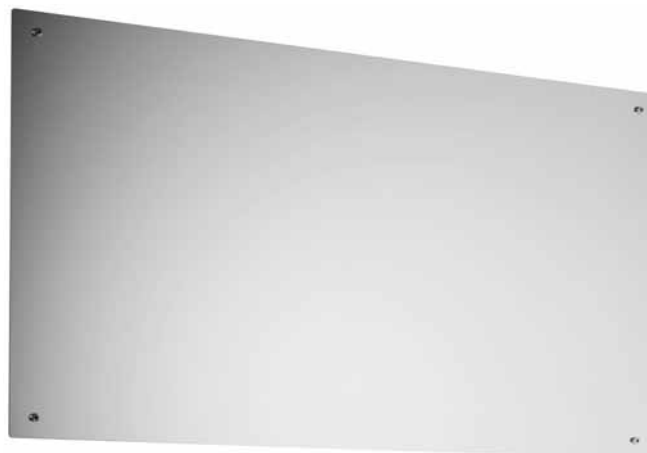
WAGNER
EWAR

STAINLESS STEEL MIRROR WP603



800 x 400 x 1 mm

- Mirror in robust, germ-reducing and easy-care stainless steel mirror sheet metal (AISI 304).
- Mounting: With four Torx® locking screws.
- Delivery includes fixing material.
- Weight, including single package: 2.6 kg
- Other dimensions available upon request.

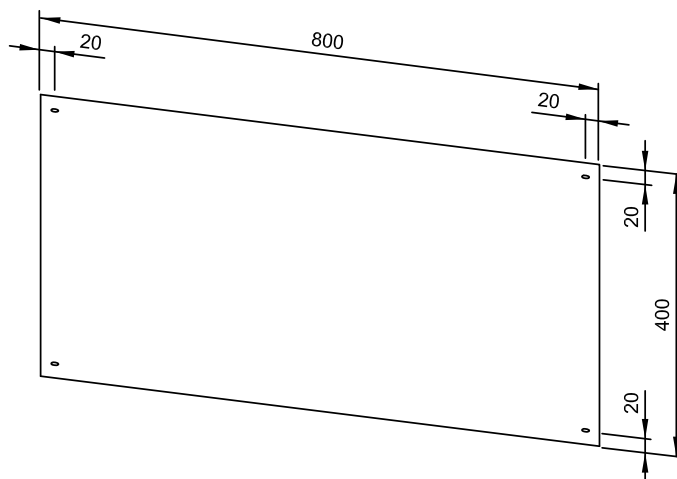


Suggested text for specifications:

Mirror in stainless steel mirror sheet metal (AISI 304) for surface mounting. Delivery includes four Torx® locking screws.

Dimensions: 800 x 400 x 1 mm

Article No. WP603



Available surface	ID No.
Mirror sheet metal	727 870

Ernst Wagner GmbH & Co. KG

Ernst-Abbe-Straße 21 · D-72770 Reutlingen · Tel.: +49712151539-0 · Fax: -20
info@wagner-ewar.de · www.wagner-ewar.de

WAGNER
EWAR

700 x 500 x 1 mm

- Mirror in robust, germ-reducing and easy-care stainless steel mirror sheet metal (AISI 304).
- Mounting: With four Torx® locking screws.
- Delivery includes fixing material.
- Weight, including single package: 2.8 kg
- Other dimensions available upon request.

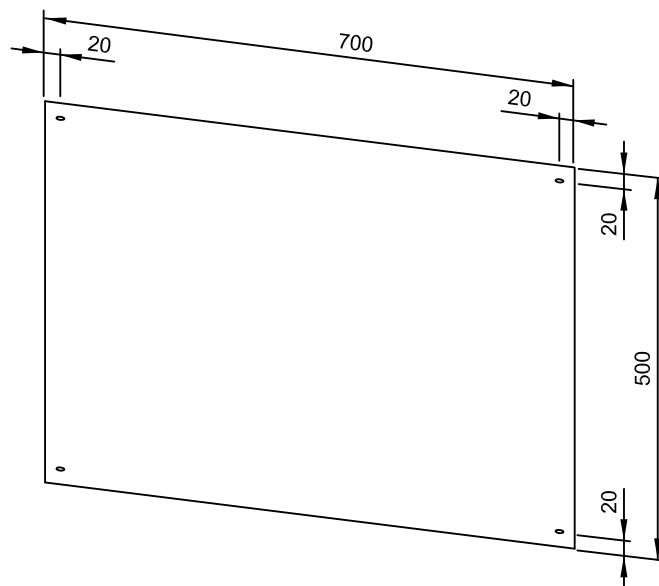


Suggested text for specifications:

Mirror in stainless steel mirror sheet metal (AISI 304) for surface mounting. Delivery includes four Torx® locking screws.

Dimensions: 700 x 500 x 1 mm

Article No. WP604

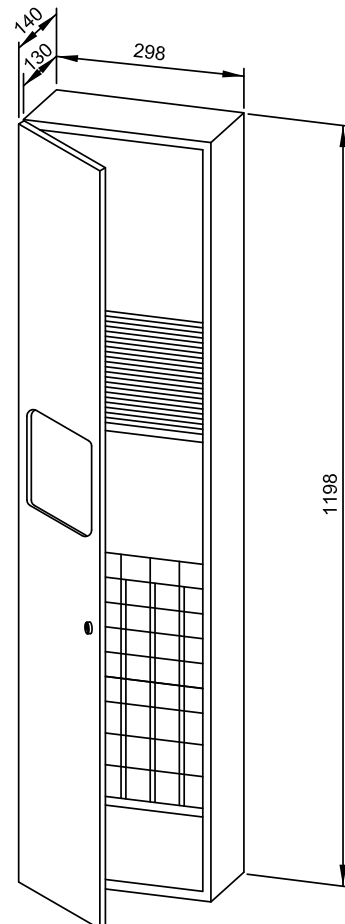


Available surface	ID No.
Mirror sheet metal	727 875

298 x 1198 x 140 mm

750 paper towels, 13 l waste bin

- Combination consisting of a paper towel dispenser and a waste bin in robust, germ-reducing and easy-care stainless steel (AISI 304).
- All-stainless steel housing; all corners fully welded, visible surfaces satin finished and brushed. Further available surfaces: see below.
- Can be installed flush with wall or tiles.
- Paper towel dispenser with deep-drawn paper removal opening for easy paper removal.
- Designed for approx. 750 standard paper towels in zigzag fold. Paper size (folded): 240-250 mm x 100-115 mm.
- Waste bin equipped with removable mesh basket. Capacity approx. 13 l.
- Accessible through lockable, continuous, double-skin door.
- Keyed alike cylinder lock in corrosion-resistant zinc die-casting.
- Wear parts and front panels can be replaced as modules.
- Installation dimensions: 300 x 1200 x 140 mm
- Mounting: With four screws in wall opening through fixing holes in the side walls.
- Delivery includes fixing material and one pack of paper towels.
- Weight, including single package: 18.2 kg



Suggested text for specifications:

Combination consisting of a paper towel dispenser and a waste bin in stainless steel (AISI 304) for flush mounting to wall or tiles. All-stainless steel housing; all corners fully welded, visible surfaces satin finished and brushed. Paper towel dispenser with deep-drawn paper removal opening, filling quantity approx. 750 paper towels. Waste bin equipped with removable mesh basket. Capacity approx. 13 l. Accessible through lockable, continuous, double-skin door. Keyed alike cylinder lock in corrosion-resistant zinc die-casting. Delivery includes fixing material and one pack of paper towels.

Dimensions: 298 x 1198 x 140 mm

Article No. WP610

Available surfaces	ID No.
satin finished (standard)	769 049
highly polished	731 049
(coloured) plastic powder-coating	728 135

298 x 748 x 140 mm

250 paper towels, 7 l waste bin

- Combination consisting of a paper towel dispenser and a waste bin in robust, germ-reducing and easy-care stainless steel (AISI 304).
- All-stainless steel housing; all corners fully welded, visible surfaces satin finished and brushed. Further available surfaces: see below.
- Can be installed flush with wall or tiles.
- Paper towel dispenser with deep-drawn paper removal opening for easy paper removal.
- Designed for approx. 250 standard paper towels in zigzag fold. Paper size (folded): 240-250 mm x 100-115 mm.
- Waste bin equipped with removable mesh basket. Capacity approx. 7 l.
- Accessible through lockable, continuous, double-skin door.
- Keyed alike cylinder lock in corrosion-resistant zinc die-casting.
- Wear parts and front panels can be replaced as modules.
- Installation dimensions: 300 x 750 x 140 mm
- Mounting: With four screws in wall opening through fixing holes in the side walls.
- Delivery includes fixing material and one pack of paper towels.
- Weight, including single package: 11.7 kg

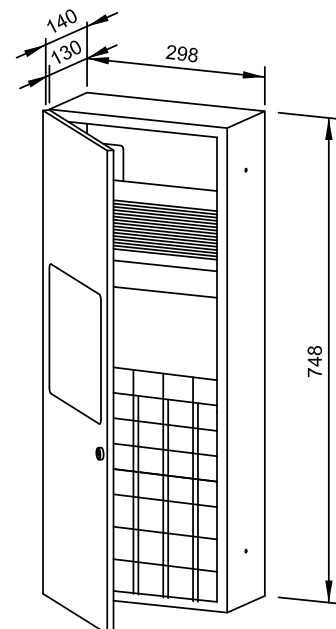


Suggested text for specifications:

Combination consisting of a paper towel dispenser and a waste bin in stainless steel (AISI 304) for flush mounting to wall or tiles. All-stainless steel housing; all corners fully welded, visible surfaces satin finished and brushed. Paper towel dispenser with deep-drawn paper removal opening, filling quantity approx. 250 paper towels. Waste bin equipped with removable mesh basket. Capacity approx. 7 l. Accessible through lockable, continuous, double-skin door. Keyed alike cylinder lock in corrosion-resistant zinc die-casting. Delivery includes fixing material and one pack of paper towels.

Dimensions: 298 x 748 x 140 mm

Article No. WP612



Available surfaces	ID No.
satin finished (standard)	769 040
highly polished	732 040
(coloured) plastic powder-coating	769 060

MIRROR CUPBOARD SOAP/PAPER WP650



600 x 600 x 130 mm

950 ml soap, 750 paper towels

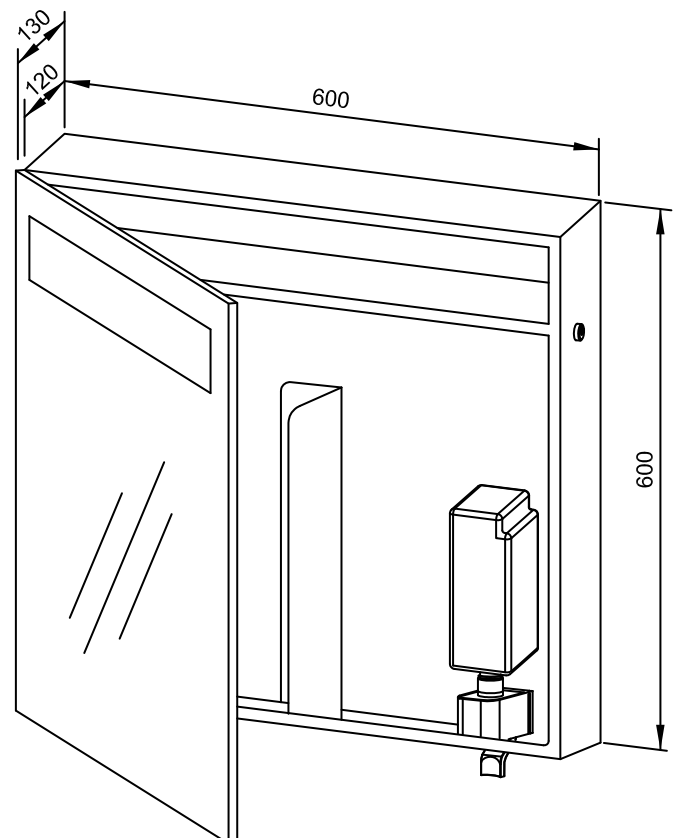
- Mirror cupboard with integrated liquid soap dispenser and paper towel dispenser in robust, germ-reducing and easy-care stainless steel (AISI 304).
- All-stainless steel housing; visible surfaces satin finished and brushed.
- Crystal mirror with all round 2 mm chamfer and frosted window for optional lighting set.
- Liquid soap dispenser with one-hand operated and non-drip soap pump.
- Designed for standard 950 ml disposable bottles of liquid soap or hand lotion.
- Also refillable with large container using the plug-in tank as an option.
- Paper towel dispenser with deep-drawn paper removal opening for easy paper removal.
- Designed for approx. 750 standard paper towels in zigzag fold. Paper size (folded): 240-250 mm x 100-115 mm.
- Accessible for refilling through lockable door.
- Keyed alike cylinder lock in corrosion-resistant zinc die-casting.
- Wear parts can be replaced as modules.
- Mounting: With four screws through key holes and one optional anti-theft hole in the back wall.
- Delivery includes fixing material, first fill with soap and one pack of paper towels.
- Weight, including single package: 19.7 kg

Suggested text for specifications:

Mirror cupboard with integrated liquid soap dispenser and paper towel dispenser in stainless steel (AISI 304) for surface mounting. All-stainless steel housing; visible surfaces satin finished and brushed. Crystal mirror with all round 2 mm chamfer and frosted window for optional lighting set. Liquid soap dispenser with one-hand operated and non-drip soap pump. Designed for standard 950 ml disposable bottles of liquid soap or hand lotion. Paper towel dispenser with deep-drawn paper removal opening, filling quantity approx. 750 paper towels. Accessible for refilling through lockable door. Keyed alike cylinder lock in corrosion-resistant zinc die-casting. Delivery includes fixing material, first fill with soap and one pack of paper towels.

Dimensions: 600 x 600 x 130 mm

Article No. WP650



Available surface	ID No.
satin finished	727 890

Options	ID No.
Lighting set	727 893

Ernst Wagner GmbH & Co. KG

Ernst-Abbe-Straße 21 · D-72770 Reutlingen · Tel.: +49712151539-0 · Fax: -20
info@wagner-ewar.de · www.wagner-ewar.de

WAGNER
EWAR

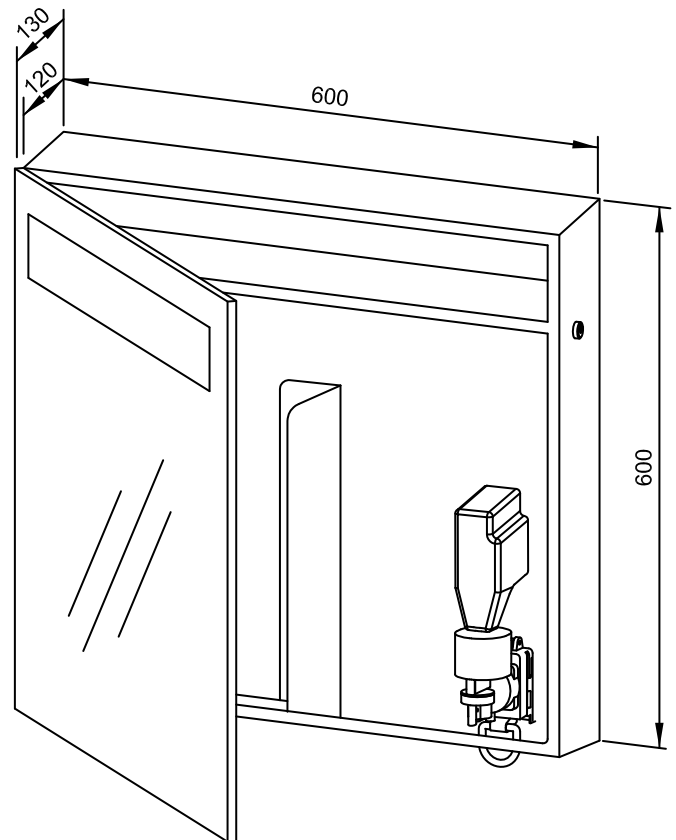
MIRROR CUPBOARD FORAM SOAP/PAPER WP650-5



600 x 600 x 130 mm

400 ml foam soap, 750 paper towels

- Mirror cupboard with integrated foam soap dispenser and paper towel dispenser in robust, germ-reducing and easy-care stainless steel (AISI 304).
- All-stainless steel housing; visible surfaces satin finished and brushed.
- Crystal mirror with all round 2 mm chamfer and frosted window for optional lighting set.
- Foam soap dispenser with one-hand operated and non-drip foam soap pump.
- Designed for standard 400 ml foam soap concentrate.
- Paper towel dispenser with deep-drawn paper removal opening for easy paper removal.
- Designed for approx. 750 standard paper towels in zigzag fold.
Paper size (folded): 240-250 mm x 100-115 mm.
- Accessible for refilling through lockable door.
- Keyed alike cylinder lock in corrosion-resistant zinc die-casting.
- Wear parts can be replaced as modules.
- Mounting: With four screws through key holes and one optional anti-theft hole in the back wall.
- Delivery includes fixing material, first fill with foam soap concentrate and one pack of paper towels.
- Weight, including single package: 19.2 kg



Suggested text for specifications:

Mirror cupboard with integrated foam soap dispenser and paper towel dispenser in stainless steel (AISI 304) for surface mounting. All-stainless steel housing; visible surfaces satin finished and brushed. Crystal mirror with all round 2 mm chamfer and frosted window for optional lighting set. Foam soap dispenser with one-hand operated and non-drip foam soap pump. Designed for standard 400 ml foam soap concentrate. Paper towel dispenser with deep-drawn paper removal opening, filling quantity approx. 750 paper towels. Accessible for refilling through lockable door. Keyed alike cylinder lock in corrosion-resistant zinc die-casting. Delivery includes fixing material, first fill with foam soap concentrate and one pack of paper towels.

Dimensions: 600 x 600 x 130 mm

Article No. WP650-5

Available surface	ID No.
satin finished	727 892

Options	ID No.
Lighting set	727 893

Ernst Wagner GmbH & Co. KG

Ernst-Abbe-Straße 21 · D-72770 Reutlingen · Tel.: +49712151539-0 · Fax: -20
info@wagner-ewar.de · www.wagner-ewar.de

WAGNER
EWAR

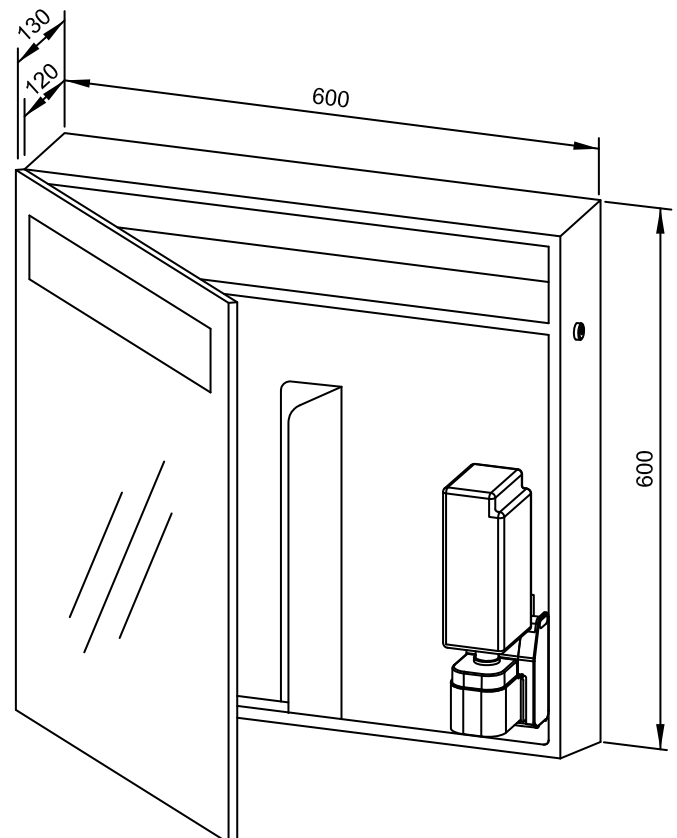
MIRROR CUPBOARD SENSOR SOAP/PAPER WP650E



600 x 600 x 130 mm

950 ml sensor soap, 750 paper towels

- Mirror cupboard with integrated sensor liquid soap dispenser and paper towel dispenser in robust, germ-reducing and easy-care stainless steel (AISI 304).
- All-stainless steel housing; visible surfaces satin finished and brushed.
- Crystal mirror with all round 2 mm chamfer and frosted window for optional lighting set.
- Sensor liquid soap dispenser with EWAR® eModule touch-free operated soap pump.
- Designed for standard 950 ml disposable bottles of liquid soap or hand lotion.
- Also refillable with large container using the plug-in tank as an option.
- Paper towel dispenser with deep-drawn paper removal opening for easy paper removal.
- Designed for approx. 750 standard paper towels in zigzag fold. Paper size (folded): 240-250 mm x 100-115 mm.
- Accessible for refilling through lockable door.
- Keyed alike cylinder lock in corrosion-resistant zinc die-casting.
- eModule battery-powered with two 1.5 V Baby/LR14 batteries. Power supply available as an option.
- Wear parts can be replaced as modules.
- Mounting: With four screws through key holes and one optional anti-theft hole in the back wall.
- Delivery includes fixing material, batteries, first fill with soap and one pack of paper towels.
- Weight, including single package: 20.0 kg



Suggested text for specifications:

Mirror cupboard with integrated sensor liquid soap dispenser and paper towel dispenser in stainless steel (AISI 304) for surface mounting. All-stainless steel housing; visible surfaces satin finished and brushed. Crystal mirror with all round 2 mm chamfer and frosted window for optional lighting set. Sensor liquid soap dispenser with touch-free operated soap pump. Designed for standard 950 ml disposable bottles of liquid soap or hand lotion. Paper towel dispenser with deep-drawn paper removal opening, filling quantity approx. 750 paper towels. Accessible for refilling through lockable door. Keyed alike cylinder lock in corrosion-resistant zinc die-casting. Delivery includes fixing material, batteries, first fill with soap and one pack of paper towels.

Dimensions: 600 x 600 x 130 mm

Article No. WP650e

Available surface	ID No.
satin finished	727 891

Options	ID No.
Power supply for eModule	923 060
Lighting set	727 893

Ernst Wagner GmbH & Co. KG

Ernst-Abbe-Straße 21 · D-72770 Reutlingen · Tel.: +49712151539-0 · Fax: -20
info@wagner-ewar.de · www.wagner-ewar.de

WAGNER
EWAR

HOT AIR HAND DRYER WP1100



298 x 396 x 150 mm

- Hot air hand dryer in robust, germ-reducing and easy-care stainless steel (AISI 304).
- All-stainless steel housing; all corners fully welded, visible surfaces satin finished and brushed with tapered glossy surface at the bottom. Further available surfaces: see below.
- Touch-free, low-failure capacitive sensor technology, sensor distance 0–30 cm, power cut-off after 30 s drying time.
- Low noise.
- SEV-tested and certified.
- Supply voltage 230 V, 50 Hz
Power rating 2000 Watt
Heater power 1915 Watt
Motor power 85 Watt
Air output 258 m³/h
- Blower unit can be replaced as module.
- Mounting: With four screws through key holes and one optional anti-theft hole in the back wall.
- Delivery includes fixing material and device plug.
- Weight, including single package: 6.9 kg

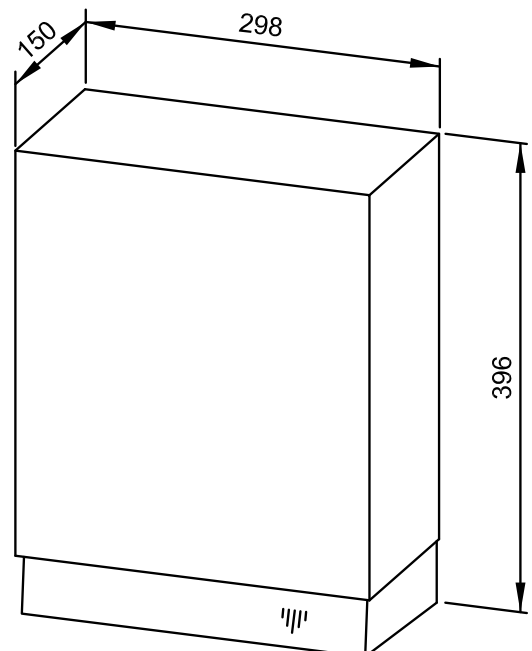


Suggested text for specifications:

Hot air hand dryer in stainless steel (AISI 304) for surface mounting. All-stainless steel housing; all corners fully welded, visible surfaces satin finished and brushed with tapered glossy surface at the bottom. Low noise blower unit with capacitive sensor technology, sensor distance 0-30 cm, drying time 30 s factory setting, can be replaced as module. Power rating 2000 W. SEV-tested and certified. Delivery includes fixing material and device plug, mains cable supply on site 230 V/50 Hz.

Dimensions: 298 x 396 x 150 mm

Article No. WP1100



Available surfaces	ID No.
satin finished (standard)	733 010
highly polished	731 010
(coloured) plastic powder-coating	729 010

Ernst Wagner GmbH & Co. KG

Ernst-Abbe-Straße 21 · D-72770 Reutlingen · Tel.: +49712151539-0 · Fax: -20
info@wagner-ewar.de · www.wagner-ewar.de

WAGNER
EWAR

HOT AIR HAND DRYER WP1200



298 x 396 x 150 mm

- Hot air hand dryer in robust, germ-reducing and easy-care stainless steel (AISI 304).
- All-stainless steel housing; all corners fully welded, visible surfaces satin finished and brushed with tapered glossy surface at the bottom. Further available surfaces: see below.
- Touch-free, low-failure capacitive sensor technology, sensor distance 0–30 cm, power cut-off after 30 s drying time.
- Low noise.
- SEV-tested and certified.
- Supply voltage 230 V, 50 Hz
Power rating 2000 Watt
Heater power 1915 Watt
Motor power 85 Watt
Air output 258 m³/h
- Blower unit can be replaced as module.
- Installation dimensions: 300 x 398 x 65 mm
- Mounting: With four screws in wall opening through fixing holes in the side walls.
- Delivery includes fixing material and device plug.
- Weight, including single package: 6.9 kg

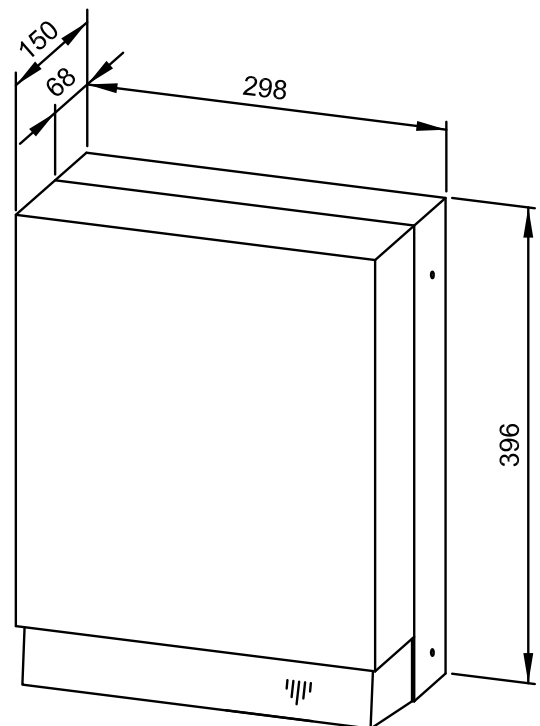


Suggested text for specifications:

Hot air hand dryer in stainless steel (AISI 304) for flush mounting. All-stainless steel housing; all corners fully welded, visible surfaces satin finished and brushed with tapered glossy surface at the bottom. Low noise blower unit with capacitive sensor technology, sensor distance 0-30 cm, drying time 30 s factory setting, can be replaced as module. Power rating 2000 W. SEV-tested and certified. Delivery includes fixing material and device plug, mains cable supply on site 230 V/50 Hz.

Dimensions: 298 x 396 x 150 mm

Article No. WP1200



Available surfaces	ID No.
satin finished (standard)	733 020
highly polished	731 020
(coloured) plastic powder-coating	728 020

Ernst Wagner GmbH & Co. KG

Ernst-Abbe-Straße 21 · D-72770 Reutlingen · Tel.: +49712151539-0 · Fax: -20
info@wagner-ewar.de · www.wagner-ewar.de

WAGNER
EWAR

SENSOR PAPER ROLL DISPENSER WP1500



350 x 448 x 220 mm

Mains-operated

- Sensor paper roll dispenser, mains-operated, in robust, germ-reducing and easy-care stainless steel (AISI 304).
- All-stainless steel housing; all corners fully welded, visible surfaces satin finished and brushed with tapered glossy surface at the bottom. Further available surfaces: see below.
- With touch-free operated, capacitive sensor technology, sensor distance approx. 3.5 cm. Paper length and idle time adjustable. Mains-operated 230 V / 50 Hz; power rating 7 Watt; mains cable on site. TÜV/GS certification applied for.
- Designed for one paper roll with dimensions: Width 200-215 mm, outer diameter max. 200 mm, inner diameter 37-40 mm or 48-50 mm.
- Inspection slot to indicate fill level, residual roll function allows a reserve roll to be inserted before residual roll is completely used up.
- Accessible for refilling through lockable door.
- Keyed alike cylinder lock in corrosion-resistant zinc die-casting.
- Wear parts can be replaced as modules.
- Mounting: With four screws through key holes in the back wall.
- Delivery includes fixing material and first fill with one paper roll.
- Weight, including single package: 10.0 kg

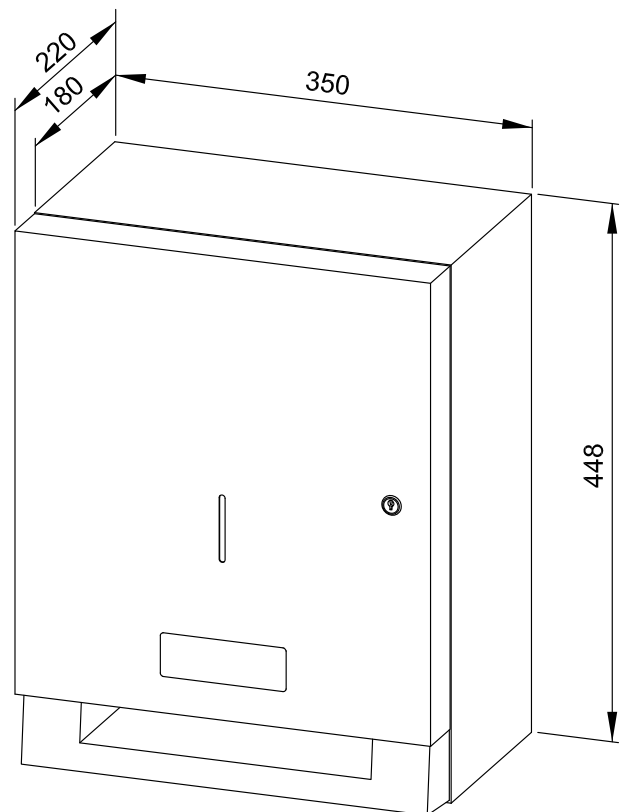


Suggested text for specifications:

Sensor paper roll dispenser, mains-operated, in stainless steel (AISI 304) for surface mounting. All-stainless steel housing; all corners fully welded, visible surfaces satin finished and brushed with tapered glossy surface at the bottom. With touch-free operated, capacitive sensor technology. Paper length and idle time adjustable. Mains-operated 230 V / 50 Hz; power rating 7 Watt; mains cable on site. Designed for one paper roll with dimensions: Width 200-215 mm, outer diameter max. 200 mm, inner diameter 37-40 mm or 48-50 mm. Inspection slot to indicate fill level. Accessible for refilling through lockable door. Residual roll function allows a reserve roll to be inserted before residual roll is completely used up. Keyed alike cylinder lock in corrosion-resistant zinc die-casting. Delivery includes fixing material and first fill with one paper roll.

Dimensions: 350 x 448 x 220 mm

Article No. WP1500



Available surfaces	ID No.
satin finished (standard)	727 460
highly polished	731 460
(coloured) plastic powder-coating	728 460

Ernst Wagner GmbH & Co. KG

Ernst-Abbe-Straße 21 · D-72770 Reutlingen · Tel.: +49712151539-0 · Fax: -20
info@wagner-ewar.de · www.wagner-ewar.de

WAGNER
EWAR

SENSOR PAPER ROLL DISPENSER WP1501



350 x 448 x 220 mm

Battery-powered

- Sensor paper roll dispenser, battery-powered, in robust, germ-reducing and easy-care stainless steel (AISI 304).
- All-stainless steel housing; all corners fully welded, visible surfaces satin finished and brushed with tapered glossy surface at the bottom. Further available surfaces: see below.
- With touch-free operated, capacitive sensor technology, sensor distance approx. 3.5 cm. Paper length and idle time adjustable. Battery-powered with four standard 1.5 V Mono/LR20/12 A batteries.
- Designed for one paper roll with dimensions: Width 200-215 mm, outer diameter max. 200 mm, inner diameter 37-40 mm or 48-50 mm.
- Inspection slot to indicate fill level, residual roll function allows a reserve roll to be inserted before residual roll is completely used up.
- Accessible for refilling through lockable door.
- Keyed alike cylinder lock in corrosion-resistant zinc die-casting.
- Wear parts can be replaced as modules.
- Mounting: With four screws through key holes in the back wall.
- Delivery includes fixing material and first fill with one paper roll.
- Weight, including single package: 10.0 kg

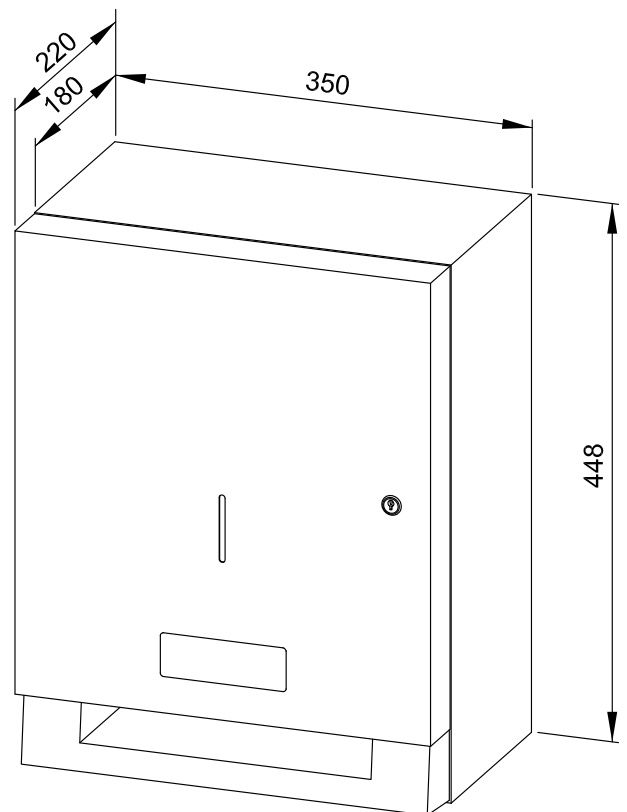


Suggested text for specifications:

Sensor paper roll dispenser, battery-powered, in stainless steel (AISI 304) for surface mounting. All-stainless steel housing; all corners fully welded, visible surfaces satin finished and brushed with tapered glossy surface at the bottom. With touch-free operated, capacitive sensor technology. Paper length and idle time adjustable. Battery-powered with four standard 1.5 V Mono/LR20/12 A batteries. Designed for one paper roll with dimensions: Width 200-215 mm, outer diameter max. 200 mm, inner diameter 37-40 mm or 48-50 mm. Inspection slot to indicate fill level. Accessible for refilling through lockable door. Residual roll function allows a reserve roll to be inserted before residual roll is completely used up. Keyed alike cylinder lock in corrosion-resistant zinc die-casting. Delivery includes fixing material and first fill with one paper roll.

Dimensions: 350 x 448 x 220 mm

Article No. WP1501



Available surfaces	ID No.
satin finished (standard)	727 461
highly polished	731 461
(coloured) plastic powder-coating	728 461

Ernst Wagner GmbH & Co. KG

Ernst-Abbe-Straße 21 · D-72770 Reutlingen · Tel.: +49712151539-0 · Fax: -20
info@wagner-ewar.de · www.wagner-ewar.de

WAGNER
EWAR

SENSOR PAPER ROLL DISPENSER WP1510



350 x 448 x 220 mm

Mains-operated

- Sensor paper roll dispenser, mains-operated, in robust, germ-reducing and easy-care stainless steel (AISI 304).
- All-stainless steel housing; all corners fully welded, visible surfaces satin finished and brushed with tapered glossy surface at the bottom. Further available surfaces: see below.
- With touch-free operated, capacitive sensor technology, sensor distance approx. 3.5 cm. Paper length and idle time adjustable. Mains-operated 230 V / 50 Hz; power rating 7 Watt; mains cable on site. TÜV/GS certification applied for.
- Designed for one paper roll with dimensions: Width 200-215 mm, outer diameter max. 200 mm, inner diameter 37-40 mm or 48-50 mm.
- Inspection slot to indicate fill level, residual roll function allows a reserve roll to be inserted before residual roll is completely used up.
- Accessible for refilling through lockable door.
- Keyed alike cylinder lock in corrosion-resistant zinc die-casting.
- Wear parts and front panels can be replaced as modules.
- Installation dimensions: 352 x 450 x max. 180 mm
- Mounting: With four screws in wall opening through fixing holes in the side walls.
- Delivery includes fixing material and first fill with one paper roll.
- Weight, including single package: 10.0 kg

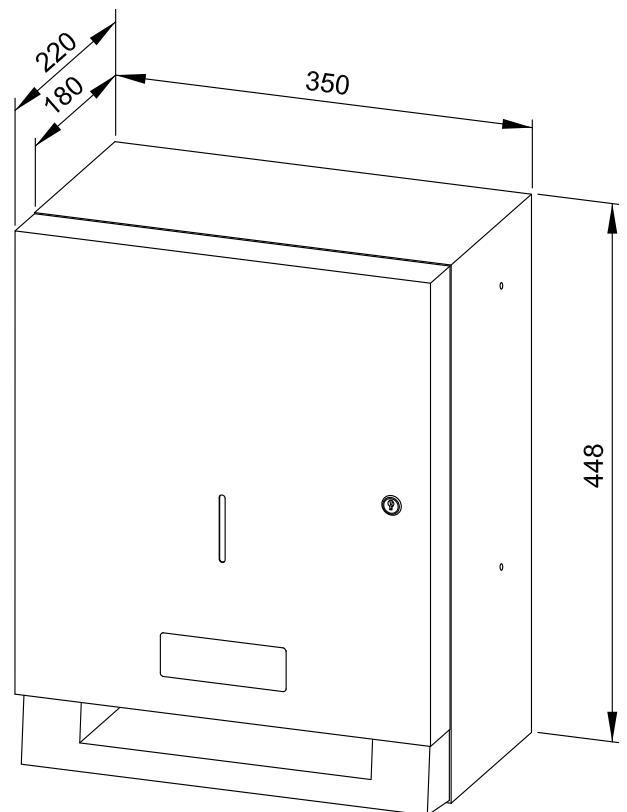


Suggested text for specifications:

Sensor paper roll dispenser, mains-operated, in stainless steel (AISI 304) for flush mounting. All-stainless steel housing; all corners fully welded, visible surfaces satin finished and brushed with tapered glossy surface at the bottom. With touch-free operated, capacitive sensor technology. Paper length and idle time adjustable. Mains-operated 230 V / 50 Hz; power rating 7 Watt; mains cable on site. Designed for one paper roll with dimensions: Width 200-215 mm, outer diameter max. 200 mm, inner diameter 37-40 mm or 48-50 mm. Inspection slot to indicate fill level. Accessible for refilling through lockable door. Residual roll function allows a reserve roll to be inserted before residual roll is completely used up. Keyed alike cylinder lock in corrosion-resistant zinc die-casting. Delivery includes fixing material and first fill with one paper roll.

Dimensions: 350 x 448 x 220 mm

Article No. WP1510



Available surfaces	ID No.
satin finished (standard)	727 465
highly polished	731 465
(coloured) plastic powder-coating	728 465

Ernst Wagner GmbH & Co. KG

Ernst-Abbe-Straße 21 · D-72770 Reutlingen · Tel.: +49712151539-0 · Fax: -20
info@wagner-ewar.de · www.wagner-ewar.de

WAGNER
EWAR

SENSOR PAPER ROLL DISPENSER WP1511



350 x 448 x 220 mm

Battery-powered

- Sensor paper roll dispenser, battery-powered, in robust, germ-reducing and easy-care stainless steel (AISI 304).
- All-stainless steel housing; all corners fully welded, visible surfaces satin finished and brushed with tapered glossy surface at the bottom. Further available surfaces: see below.
- With touch-free operated, capacitive sensor technology, sensor distance approx. 3.5 cm. Paper length and idle time adjustable. Battery-powered with four standard 1.5 V Mono/LR20/12 A batteries.
- Designed for one paper roll with dimensions: Width 200-215 mm, outer diameter max. 200 mm, inner diameter 37-40 mm or 48-50 mm.
- Inspection slot to indicate fill level, residual roll function allows a reserve roll to be inserted before residual roll is completely used up.
- Accessible for refilling through lockable door.
- Keyed alike cylinder lock in corrosion-resistant zinc die-casting.
- Wear parts and front panels can be replaced as modules.
- Installation dimensions: 352 x 450 x max. 180 mm
- Mounting: With four screws in wall opening through fixing holes in the side walls.
- Delivery includes fixing material and first fill with one paper roll.
- Weight, including single package: 10.0 kg

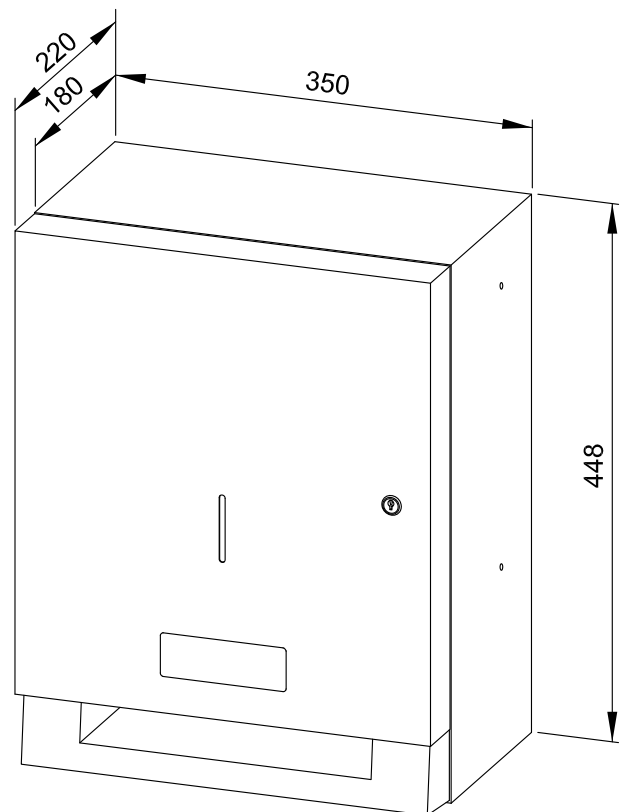


Suggested text for specifications:

Sensor paper roll dispenser, battery-powered, in stainless steel (AISI 304) for flush mounting. All-stainless steel housing; all corners fully welded, visible surfaces satin finished and brushed with tapered glossy surface at the bottom. With touch-free operated, capacitive sensor technology. Paper length and idle time adjustable. Battery-powered with four standard 1.5 V Mono/LR20/12 A batteries. Designed for one paper roll with dimensions: Width 200-215 mm, outer diameter max. 200 mm, inner diameter 37-40 mm or 48-50 mm. Inspection slot to indicate fill level. Accessible for refilling through lockable door. Residual roll function allows a reserve roll to be inserted before residual roll is completely used up. Keyed alike cylinder lock in corrosion-resistant zinc die-casting. Delivery includes fixing material and first fill with one paper roll.

Dimensions: 350 x 448 x 220 mm

Article No. WP1511



Available surfaces	ID No.
satin finished (standard)	727 466
highly polished	731 466
(coloured) plastic powder-coating	728 466

Ernst Wagner GmbH & Co. KG

Ernst-Abbe-Straße 21 · D-72770 Reutlingen · Tel.: +49712151539-0 · Fax: -20
info@wagner-ewar.de · www.wagner-ewar.de

WAGNER
EWAR

SENSOR PAPER ROLL DISPENSER WP1600



350 x 580 x 220 mm

Mains-operated

- Sensor paper roll dispenser with cabinet for reserve roll, mains-operated, in robust, germ-reducing and easy-care stainless steel (AISI 304).
- All-stainless steel housing; all corners fully welded, visible surfaces satin finished and brushed with tapered glossy surface at the bottom. Further available surfaces: see below.
- With touch-free operated, capacitive sensor technology, sensor distance approx. 3.5 cm. Paper length and idle time adjustable. Mains-operated 230 V / 50 Hz; power rating 7 Watt; mains cable on site. TÜV/GS certification applied for.
- Designed for one paper roll and one reserve roll with dimensions: Width 200-215 mm, outer diameter max. 200 mm, inner diameter 37-40 mm or 48-50 mm.
- Inspection slot to indicate fill level, residual roll function allows a reserve roll to be inserted before residual roll is completely used up.
- Accessible for refilling through lockable door.
- Keyed alike cylinder lock in corrosion-resistant zinc die-casting.
- Wear parts can be replaced as modules.
- Mounting: With four screws through key holes in the back wall.
- Delivery includes fixing material and first fill with one paper roll.
- Weight, including single package: 11.0 kg

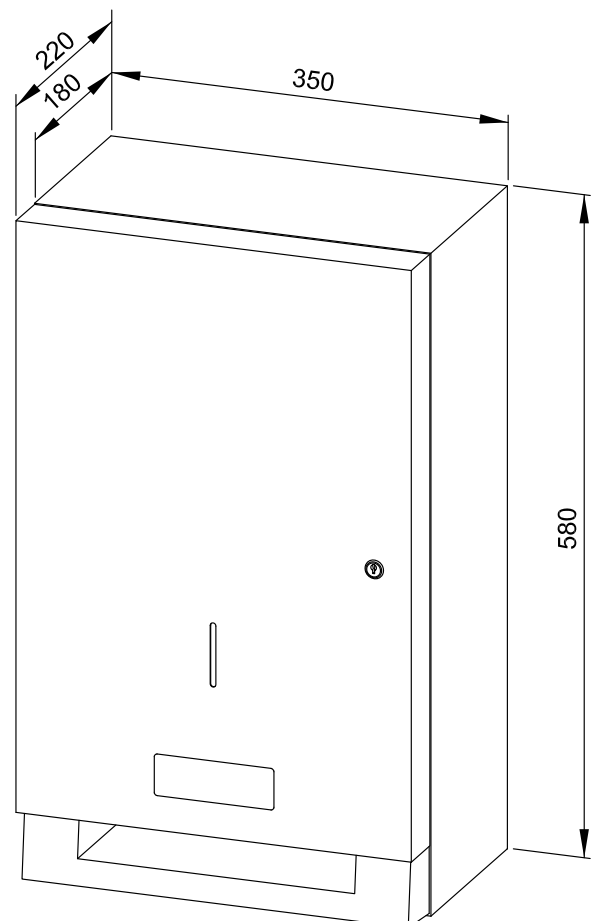


Suggested text for specifications:

Sensor paper roll dispenser with cabinet for reserve roll, mains-operated, in stainless steel (AISI 304) for surface mounting. All-stainless steel housing; all corners fully welded, visible surfaces satin finished and brushed with tapered glossy surface at the bottom. With touch-free operated, capacitive sensor technology. Paper length and idle time adjustable. Mains-operated 230 V / 50 Hz; power rating 7 Watt; mains cable on site. Designed for one paper roll and one reserve roll with dimensions: Width 200-215 mm, outer diameter max. 200 mm, inner diameter 37-40 mm or 48-50 mm. Inspection slot to indicate fill level. Accessible for refilling through lockable door. Residual roll function allows a reserve roll to be inserted before residual roll is completely used up. Keyed alike cylinder lock in corrosion-resistant zinc die-casting. Delivery includes fixing material and first fill with one paper roll.

Dimensions: 350 x 580 x 220 mm

Article No. WP1600



Available surfaces	ID No.
satin finished (standard)	727 470
highly polished	731 470
(coloured) plastic powder-coating	728 470

Ernst Wagner GmbH & Co. KG

Ernst-Abbe-Straße 21 · D-72770 Reutlingen · Tel.: +49712151539-0 · Fax: -20
info@wagner-ewar.de · www.wagner-ewar.de

WAGNER
EWAR

SENSOR PAPER ROLL DISPENSER WP1601



350 x 580 x 220 mm

Battery-powered

- Sensor paper roll dispenser with cabinet for reserve roll, battery-powered, in robust, germ-reducing and easy-care stainless steel (AISI 304).
- All-stainless steel housing; all corners fully welded, visible surfaces satin finished and brushed with tapered glossy surface at the bottom. Further available surfaces: see below.
- With touch-free operated, capacitive sensor technology, sensor distance approx. 3.5 cm. Paper length and idle time adjustable. Battery-powered with four standard 1.5 V Mono/LR20/12 A batteries.
- Designed for one paper roll and one reserve roll with dimensions: Width 200-215 mm, outer diameter max. 200 mm, inner diameter 37-40 mm or 48-50 mm.
- Inspection slot to indicate fill level, residual roll function allows a reserve roll to be inserted before residual roll is completely used up.
- Accessible for refilling through lockable door.
- Keyed alike cylinder lock in corrosion-resistant zinc die-casting.
- Wear parts can be replaced as modules.
- Mounting: With four screws through key holes in the back wall.
- Delivery includes fixing material and first fill with one paper roll.
- Weight, including single package: 11.0 kg

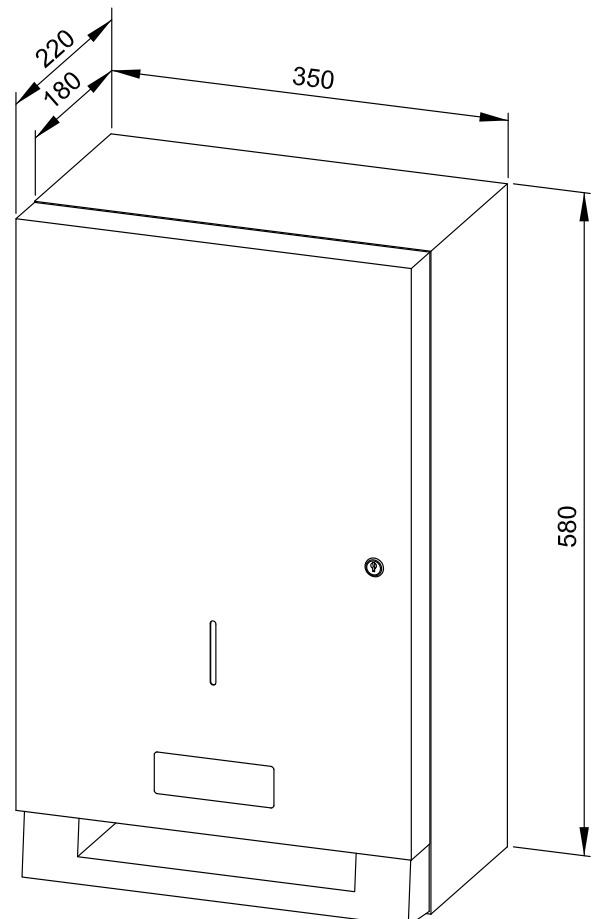


Suggested text for specifications:

Sensor paper roll dispenser with cabinet for reserve roll, battery-powered, in stainless steel (AISI 304) for surface mounting. All-stainless steel housing; all corners fully welded, visible surfaces satin finished and brushed with tapered glossy surface at the bottom. With touch-free operated, capacitive sensor technology. Paper length and idle time adjustable. Battery-powered with four standard 1.5 V Mono/LR20/12 A batteries. Designed for one paper roll and one reserve roll with dimensions: Width 200-215 mm, outer diameter max. 200 mm, inner diameter 37-40 mm or 48-50 mm. Inspection slot to indicate fill level. Accessible for refilling through lockable door. Residual roll function allows a reserve roll to be inserted before residual roll is completely used up. Keyed alike cylinder lock in corrosion-resistant zinc die-casting. Delivery includes fixing material and first fill with one paper roll.

Dimensions: 350 x 580 x 220 mm

Article No. WP1601



Available surfaces	ID No.
satin finished (standard)	727 471
highly polished	731 471
(coloured) plastic powder-coating	728 471

Ernst Wagner GmbH & Co. KG

Ernst-Abbe-Straße 21 · D-72770 Reutlingen · Tel.: +49712151539-0 · Fax: -20
info@wagner-ewar.de · www.wagner-ewar.de

WAGNER
EWAR

SENSOR PAPER ROLL DISPENSER WP1610



350 x 580 x 220 mm

Mains-operated

- Sensor paper roll dispenser with cabinet for reserve roll, mains-operated, in robust, germ-reducing and easy-care stainless steel (AISI 304).
- All-stainless steel housing; all corners fully welded, visible surfaces satin finished and brushed with tapered glossy surface at the bottom. Further available surfaces: see below.
- With touch-free operated, capacitive sensor technology, sensor distance approx. 3.5 cm. Paper length and idle time adjustable. Mains-operated 230 V / 50 Hz; power rating 7 Watt; mains cable on site. TÜV/GS certification applied for.
- Designed for one paper roll and one reserve roll with dimensions: Width 200-215 mm, outer diameter max. 200 mm, inner diameter 37-40 mm or 48-50 mm.
- Inspection slot to indicate fill level, residual roll function allows a reserve roll to be inserted before residual roll is completely used up.
- Accessible for refilling through lockable door.
- Keyed alike cylinder lock in corrosion-resistant zinc die-casting.
- Wear parts and front panels can be replaced as modules.
- Installation dimensions: 352 x 582 x max. 180 mm
- Mounting: With four screws in wall opening through fixing holes in the side walls.
- Delivery includes fixing material and first fill with one paper roll.
- Weight, including single package: 11.0 kg

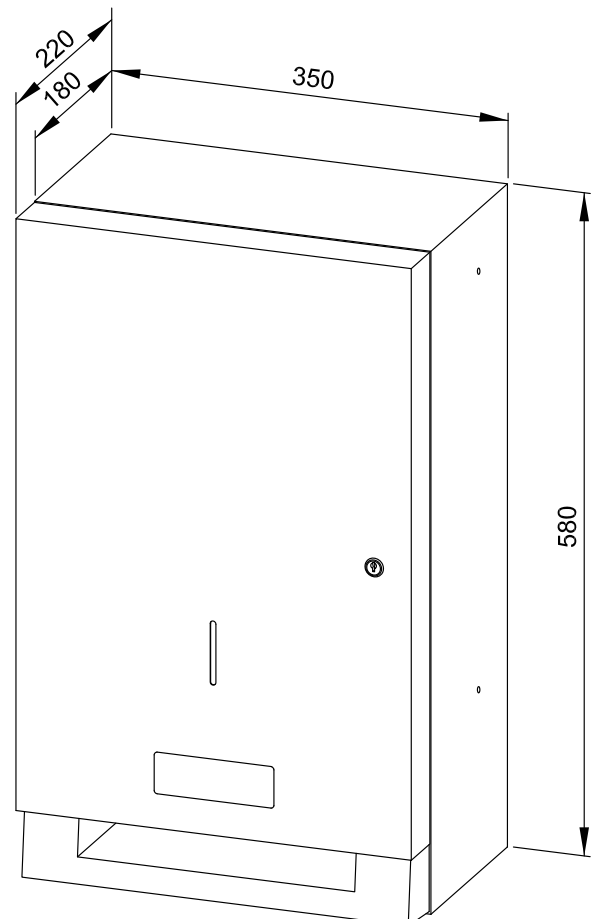


Suggested text for specifications:

Sensor paper roll dispenser with cabinet for reserve roll, mains-operated, in stainless steel (AISI 304) for flush mounting. All-stainless steel housing; all corners fully welded, visible surfaces satin finished and brushed with tapered glossy surface at the bottom. With touch-free operated, capacitive sensor technology. Paper length and idle time adjustable. Mains-operated 230 V / 50 Hz; power rating 7 Watt; mains cable on site. Designed for one paper roll and one reserve roll with dimensions: Width 200-215 mm, outer diameter max. max. 200 mm, inner diameter 37-40 mm or 48-50 mm. Inspection slot to indicate fill level. Accessible for refilling through lockable door. Residual roll function allows a reserve roll to be inserted before residual roll is completely used up. Keyed alike cylinder lock in corrosion-resistant zinc die-casting. Delivery includes fixing material and first fill with one paper roll.

Dimensions: 350 x 580 x 220 mm

Article No. WP1610



Available surfaces	ID No.
satin finished (standard)	727 475
highly polished	731 475
(coloured) plastic powder-coating	728 475

Ernst Wagner GmbH & Co. KG

Ernst-Abbe-Straße 21 · D-72770 Reutlingen · Tel.: +49712151539-0 · Fax: -20
info@wagner-ewar.de · www.wagner-ewar.de

WAGNER
EWAR

SENSOR PAPER ROLL DISPENSER WP1611



350 x 580 x 220 mm

Battery-powered

- Sensor paper roll dispenser with cabinet for reserve roll, battery-powered, in robust, germ-reducing and easy-care stainless steel (AISI 304).
- All-stainless steel housing; all corners fully welded, visible surfaces satin finished and brushed with tapered glossy surface at the bottom. Further available surfaces: see below.
- With touch-free operated, capacitive sensor technology, sensor distance approx. 3.5 cm. Paper length and idle time adjustable. Battery-powered with four standard 1.5 V Mono/LR20/12 A batteries.
- Designed for one paper roll and one reserve roll with dimensions: Width 200-215 mm, outer diameter max. 200 mm, inner diameter 37-40 mm or 48-50 mm.
- Inspection slot to indicate fill level, residual roll function allows a reserve roll to be inserted before residual roll is completely used up.
- Accessible for refilling through lockable door.
- Keyed alike cylinder lock in corrosion-resistant zinc die-casting.
- Wear parts and front panels can be replaced as modules.
- Installation dimensions: 352 x 582 x max. 180 mm
- Mounting: With four screws in wall opening through fixing holes in the side walls.
- Delivery includes fixing material and first fill with one paper roll.
- Weight, including single package: 11.0 kg

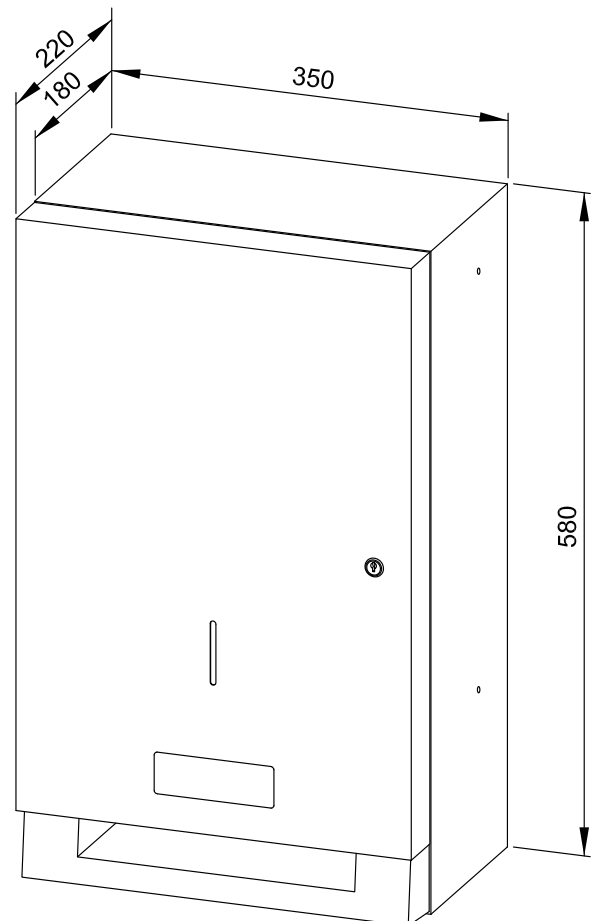


Suggested text for specifications:

Sensor paper roll dispenser with cabinet for reserve roll, battery-powered, in stainless steel (AISI 304) for flush mounting. All-stainless steel housing; all corners fully welded, visible surfaces satin finished and brushed with tapered glossy surface at the bottom. With touch-free operated, capacitive sensor technology. Paper length and idle time adjustable. Battery-powered with four standard 1.5 V Mono/LR20/12 A batteries. Designed for one paper roll and one reserve roll with dimensions: Width 200-215 mm, outer diameter max. 200 mm, inner diameter 37-40 mm or 48-50 mm. Inspection slot to indicate fill level. Accessible for refilling through lockable door. Residual roll function allows a reserve roll to be inserted before residual roll is completely used up. Keyed alike cylinder lock in corrosion-resistant zinc die-casting. Delivery includes fixing material and first fill with one paper roll.

Dimensions: 350 x 580 x 220 mm

Article No. WP1611



Available surfaces	ID No.
satin finished (standard)	727 476
highly polished	731 476
(coloured) plastic powder-coating	728 476

Ernst Wagner GmbH & Co. KG

Ernst-Abbe-Straße 21 · D-72770 Reutlingen · Tel.: +49712151539-0 · Fax: -20
info@wagner-ewar.de · www.wagner-ewar.de

WAGNER
EWAR

900 x 566 x 135 mm

horizontal version

- Nappy changer in robust, germ-reducing and easy-care stainless steel (AISI 304).
- All-stainless steel housing; all corners fully welded, visible surfaces satin finished and brushed, handle strip with glossy surface.
Further available surfaces: see below.
- Easy to open and close with maintenance free lifting mechanism supported by gas struts.
- Table surface in grey polypropylene, molded, without any visible fixtures.
- Intended for use with paper overlays.
- TÜV-tested and certified according to
EN 12221-1:2013
EN 12221-2:2013
AfPS GS 2019:01 PAK
- Test load 150 kg. Approved for private use:
Load capacity up to 11 kg / age up to 1 year.
- Wear parts can be replaced as modules.
- Installation dimensions: 902 x 568 x 110 mm
- Mounting: With four screws in wall opening through fixing holes in the side walls.
- Delivery includes fixing material.
- Weight, including single package: 25.1 kg

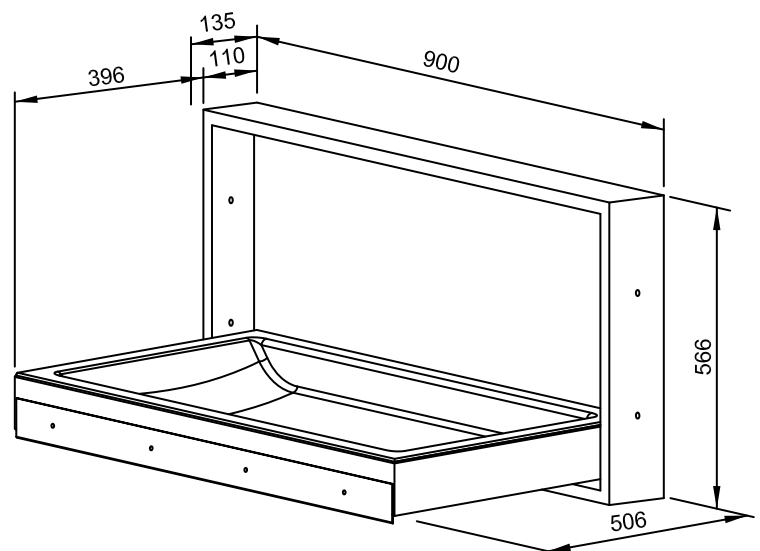


Suggested text for specifications:

Nappy changer in stainless steel (AISI 304) for flush mounting. All-stainless steel housing; all corners fully welded, visible surfaces satin finished and brushed, handle strip with glossy surface. Table surface molded in polypropylene to fold out with lifting mechanism supported by gas struts. TÜV-tested and certified. Approved for private use. Delivery includes fixing material.

Dimensions: 900 x 566 x 135 mm

Article No. WP2010



Available surfaces	ID No.
satin finished (standard)	727 676
(coloured) plastic powder-coating	728 676

910 x 576 x 135 mm

horizontal version

- Nappy changer in robust, germ-reducing and easy-care stainless steel (AISI 304).
- All-stainless steel housing; all corners fully welded, visible surfaces satin finished and brushed, handle strip with glossy surface.
Further available surfaces: see below.
- Easy to open and close with maintenance free lifting mechanism supported by gas struts.
- Table surface in grey polypropylene, molded, without any visible fixtures.
- Intended for use with paper overlays.
- TÜV-tested and certified according to
EN 12221-1:2013
EN 12221-2:2013
AfPS GS 2019:01 PAK
- Test load 150 kg. Approved for private use:
Load capacity up to 11 kg / age up to 1 year.
- Wear parts can be replaced as modules.
- Mounting: With four screws through fixing holes in the back wall.
- Delivery includes fixing material.
- Weight, including single package: 25.1 kg

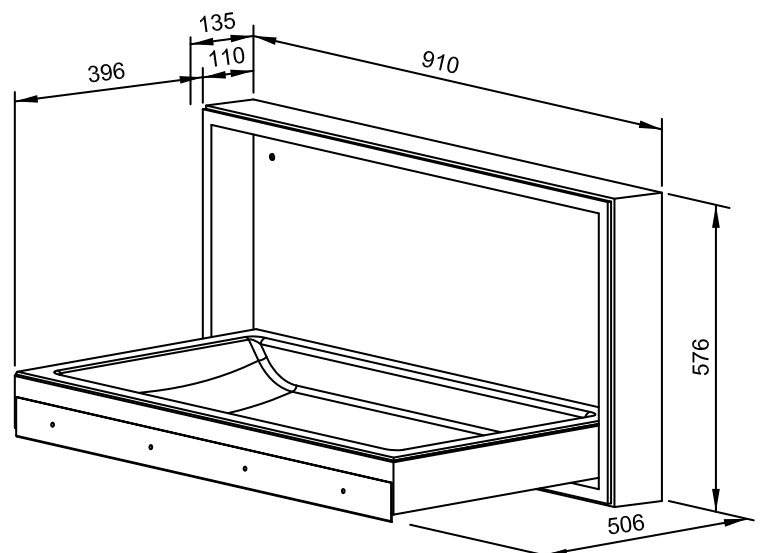


Suggested text for specifications:

Nappy changer in stainless steel (AISI 304) for surface mounting. All-stainless steel housing; all corners fully welded, visible surfaces satin finished and brushed, handle strip with glossy surface. Table surface molded in polypropylene to fold out with lifting mechanism supported by gas struts. TÜV-tested and certified. Approved for private use. Delivery includes fixing material.

Dimensions: 910 x 576 x 135 mm

Article No. WP2015



Available surfaces	ID No.
satin finished (standard)	727 885
(coloured) plastic powder-coating	728 885

530 x 936 x 135 mm

vertical version

- Nappy changer in robust, germ-reducing and easy-care stainless steel (AISI 304).
- All-stainless steel housing; all corners fully welded, visible surfaces satin finished and brushed, handle strip with glossy surface.
Further available surfaces: see below.
- Easy to open and close with maintenance free lifting mechanism supported by gas struts.
- Table surface in grey polypropylene, molded, without any visible fixtures.
- Intended for use with paper overlays.
- TÜV-tested and certified according to
EN 12221-1:2013
EN 12221-2:2013
AfPS GS 2019:01 PAK
- Test load 150 kg. Approved for private use:
Load capacity up to 11 kg / age up to 1 year.
- Wear parts can be replaced as modules.
- Installation dimensions: 532 x 938 x 110 mm
- Mounting: With four screws in wall opening through fixing holes in the side walls.
- Delivery includes fixing material.
- Weight, including single package: 27.0 kg

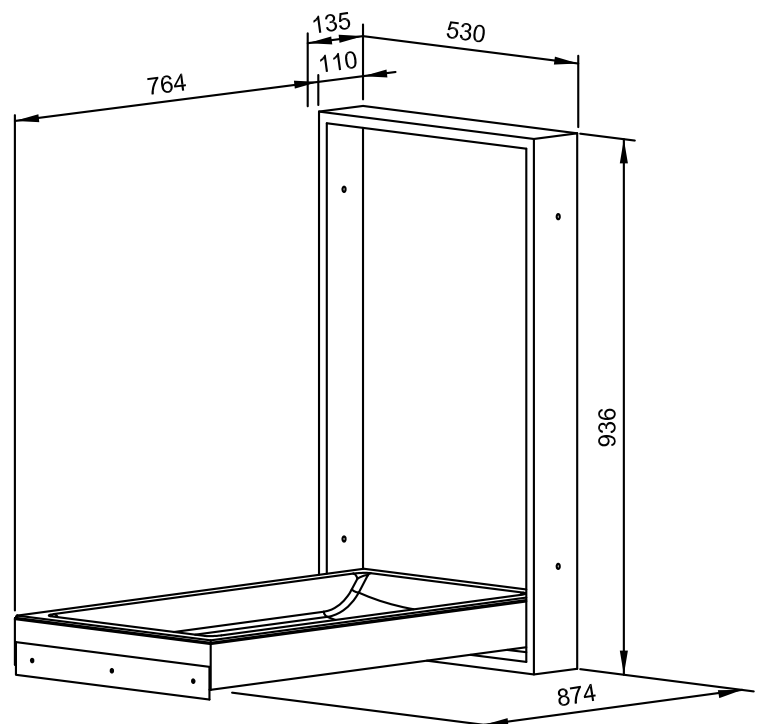


Suggested text for specifications:

Nappy changer in stainless steel (AISI 304) for flush mounting. All-stainless steel housing; all corners fully welded, visible surfaces satin finished and brushed, handle strip with glossy surface. Table surface molded in polypropylene to fold out with lifting mechanism supported by gas struts. TÜV-tested and certified. Approved for private use. Delivery includes fixing material.

Dimensions: 530 x 936 x 135 mm

Article No. WP2110



Available surfaces	ID No.
satin finished (standard)	727 686
(coloured) plastic powder-coating	728 686

540 x 946 x 135 mm

vertical version

- Nappy changer in robust, germ-reducing and easy-care stainless steel (AISI 304).
- All-stainless steel housing; all corners fully welded, visible surfaces satin finished and brushed, handle strip with glossy surface.
Further available surfaces: see below.
- Easy to open and close with maintenance free lifting mechanism supported by gas struts.
- Table surface in grey polypropylene, molded, without any visible fixtures.
- Intended for use with paper overlays.
- TÜV-tested and certified according to
EN 12221-1:2013
EN 12221-2:2013
AfPS GS 2019:01 PAK
- Test load 150 kg. Approved for private use:
Load capacity up to 11 kg / age up to 1 year.
- Wear parts can be replaced as modules.
- Mounting: With four screws through fixing holes in the back wall.
- Delivery includes fixing material.
- Weight, including single package: 27.0 kg

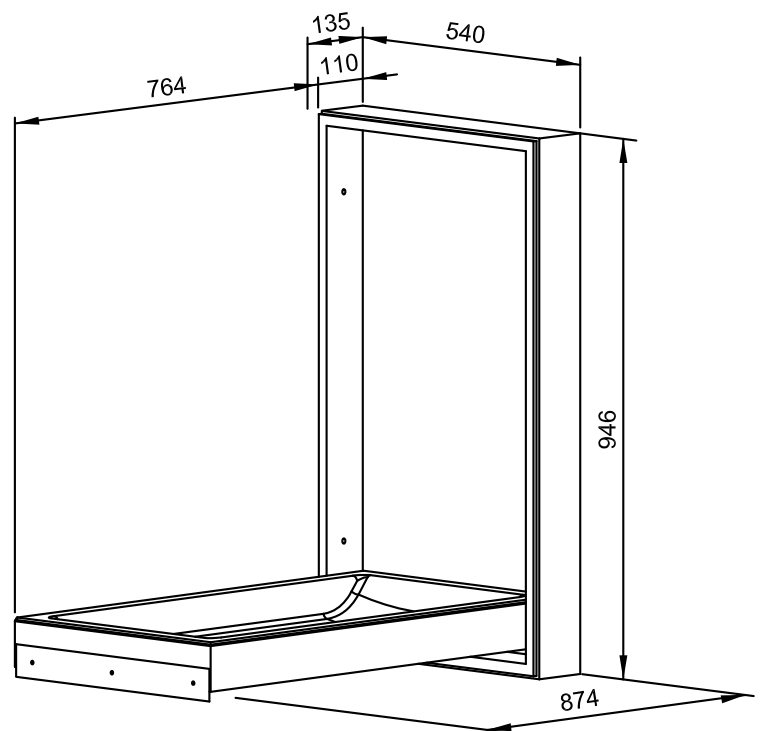


Suggested text for specifications:

Nappy changer in stainless steel (AISI 304) for surface mounting. All-stainless steel housing; all corners fully welded, visible surfaces satin finished and brushed, handle strip with glossy surface. Table surface molded in polypropylene to fold out with lifting mechanism supported by gas struts. TÜV-tested and certified. Approved for private use. Delivery includes fixing material.

Dimensions: 540 x 946 x 135 mm

Article No. WP2115



Available surfaces	ID No.
satin finished (standard)	727 886
(coloured) plastic powder-coating	728 886

PAPER ROLL DISPENSER FOR NAPPY CHANGER WP2405



435 x 148 x 148 mm
for 1 paper roll

- Paper roll dispenser for nappy changer in robust, germ-reducing and easy-care stainless steel (AISI 304).
- All-stainless steel housing; all corners fully welded, visible surfaces satin finished and brushed. Further available surfaces: see below.
- Designed for one standard paper roll with dimensions:
Outer diameter max. 125 mm
Width: max. 390 mm
Core diameter: min. 40 mm.
- Inspection slot to indicate fill level.
- Accessible for refilling through lockable, hinged housing.
- Keyed alike cylinder lock in corrosion-resistant zinc die-casting.
- Wear parts can be replaced as modules.
- Mounting: With four screws through key holes and one optional anti-theft hole in the back wall.
- Delivery includes fixing material.
- Weight, including single package: 3.8 kg

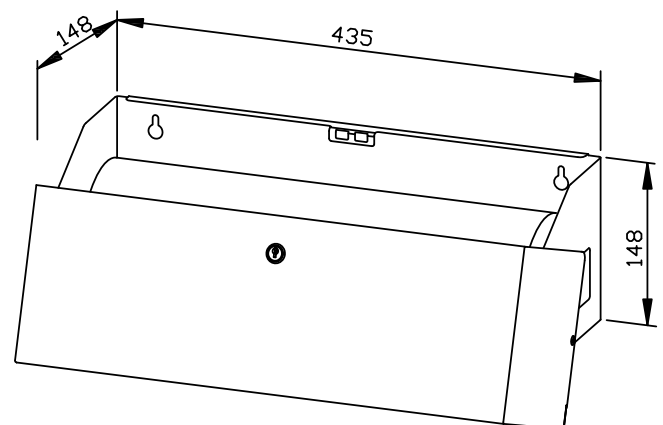


Suggested text for specifications:

Paper roll dispenser for nappy changer in stainless steel (AISI 304) for surface mounting. All-stainless steel housing; all corners fully welded, visible surfaces satin finished and brushed. Designed for one standard paper roll. Inspection slot to indicate fill level. Accessible for refilling through lockable, hinged housing. Keyed alike cylinder lock in corrosion-resistant zinc die-casting. Delivery includes fixing material.

Dimensions: 435 x 148 x 148 mm

Article No. WP2405



Available surfaces	ID No.
satin finished (standard)	727 680
highly polished	731 680
(coloured) plastic powder-coating	728 680

Ernst Wagner GmbH & Co. KG

Ernst-Abbe-Straße 21 · D-72770 Reutlingen · Tel.: +49712151539-0 · Fax: -20
info@wagner-ewar.de · www.wagner-ewar.de

WAGNER
EWAR

NAPPY BIN WP2505



298 x 748 x 310 mm

Capacity approx. 36 l

- Nappy bin in robust, germ-reducing and easy-care stainless steel (AISI 304).
- All-stainless steel housing; all corners fully welded, visible surfaces satin finished and brushed, at the top highly polished.
- Further available surfaces: see below.
- Equipped with removable hygiene bin. Capacity approx. 36 l. Designed for standard garbage bags. Accessible through lockable door.
- Keyed alike cylinder lock in corrosion-resistant zinc die-casting.
- On the top one-hand operated, by 180 ° swiveling, odor-reducing insertion sluice made of polypropylene.
- Wear parts can be replaced as modules.
- With four rubber feet for floor installation.
- Weight, including single package: 15.0 kg

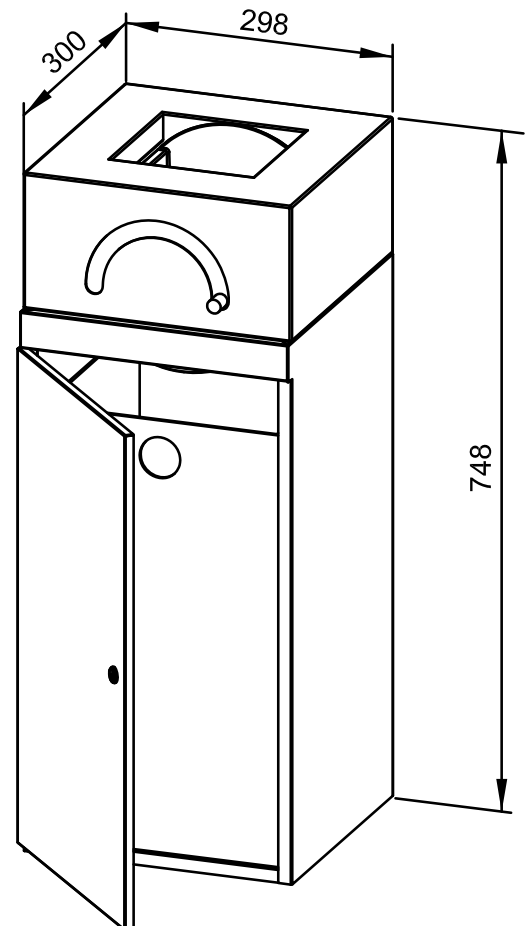


Suggested text for specifications:

Nappy bin in stainless steel (AISI 304) for floor installation. All-stainless steel housing; all corners fully welded, visible surfaces satin finished and brushed, at the top highly polished. Equipped with removable hygiene bin, designed for standard garbage bags. Capacity approx. 36 l. Accessible through lockable door. Keyed alike cylinder lock in corrosion-resistant zinc die-casting. On the top one-hand operated, by 180 ° swiveling insertion sluice made of polypropylene.

Dimensions: 298 x 748 x 310 mm

Article No. WP2505



Available surfaces	ID No.
satin finished (standard)	727 685
highly polished	731 685
(coloured) plastic powder-coating	728 685

Ernst Wagner GmbH & Co. KG

Ernst-Abbe-Straße 21 · D-72770 Reutlingen · Tel.: +49712151539-0 · Fax: -20
info@wagner-ewar.de · www.wagner-ewar.de

WAGNER
EWAR

COMBINATION PAPER/WASTE WP5010



298 x 1048 x 220 mm

250 paper towels, 32 l waste bin

- Combination consisting of a paper towel dispenser and a waste bin in robust, germ-reducing and easy-care stainless steel (AISI 304).
- All-stainless steel housing; all corners fully welded, visible surfaces satin finished and brushed.
Further available surfaces: see below.
- Paper towel dispenser with deep-drawn paper removal opening for easy paper removal.
- Designed for approx. 250 standard paper towels in zigzag fold.
Paper size (folded): 240-250 mm x 100-115 mm.
- Inspection slot to indicate fill level.
- Accessible for refilling through lockable front flap with fall protection.
- Waste bin equipped with removable mesh basket. Capacity approx. 32 l. Accessible through lockable door.
- Keyed alike cylinder locks in corrosion-resistant zinc die-casting.
- Wear parts and front panels can be replaced as modules.
- Installation dimensions: 300 x 1050 x 210 mm (when fully fitted).
- Mounting: With six screws in wall opening through fixing holes in the side walls.
- Delivery includes fixing material and one pack of paper towels.
- Weight, including single package: 14.7 kg

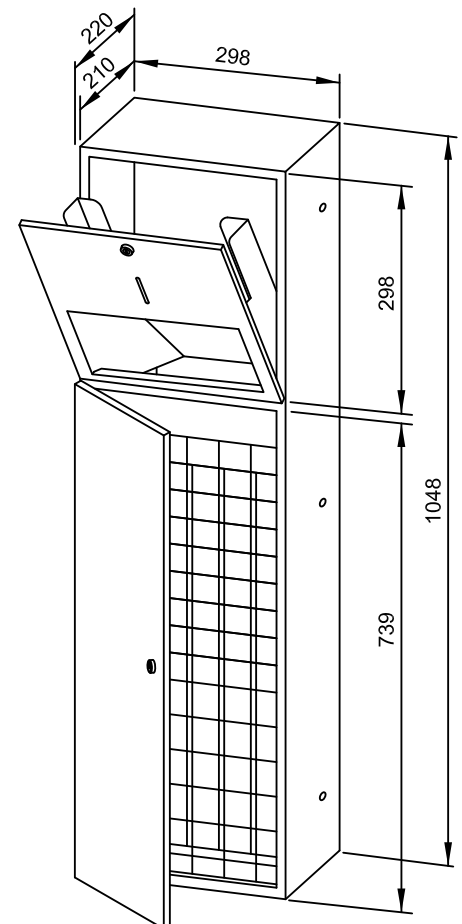


Suggested text for specifications:

Combination consisting of a paper towel dispenser and a waste bin in stainless steel (AISI 304) for flush mounting. All-stainless steel housing; all corners fully welded, visible surfaces satin finished and brushed. Paper towel dispenser with deep-drawn paper removal opening, filling quantity approx. 250 paper towels. Inspection slot to indicate fill level. Accessible for refilling through lockable front flap with fall protection. Waste bin equipped with removable mesh basket. Capacity approx. 32 l. Accessible through lockable door. Keyed alike cylinder locks in corrosion-resistant zinc die-casting. Delivery includes fixing material and one pack of paper towels.

Dimensions: 298 x 1048 x 220 mm

Article No. WP5010



Available surfaces	ID No.
satin finished (standard)	727 528
highly polished	731 528
(coloured) plastic powder-coating	729 528

Ernst Wagner GmbH & Co. KG

Ernst-Abbe-Straße 21 · D-72770 Reutlingen · Tel.: +49712151539-0 · Fax: -20
info@wagner-ewar.de · www.wagner-ewar.de

WAGNER
EWAR

COMBINATION PAPER/WASTE WP5015



298 x 1048 x 220 mm

250 paper towels, 32 l waste bin

- Combination consisting of a paper towel dispenser and a waste bin in robust, germ-reducing and easy-care stainless steel (AISI 304).
- All-stainless steel housing; all corners fully welded, visible surfaces satin finished and brushed. Further available surfaces: see below.
- Paper towel dispenser with deep-drawn paper removal opening for easy paper removal.
- Designed for approx. 250 standard paper towels in zigzag fold. Paper size (folded): 240-250 mm x 100-115 mm.
- Inspection slot to indicate fill level.
- Accessible for refilling through lockable front flap with fall protection.
- Waste bin equipped with removable mesh basket. Capacity approx. 32 l. Accessible through lockable door.
- Keyed alike cylinder locks in corrosion-resistant zinc die-casting.
- Wear parts can be replaced as modules.
- Mounting: With four screws through key holes and one optional anti-theft hole in the back wall.
- Delivery includes fixing material and one pack of paper towels.
- Weight, including single package: 14.7 kg

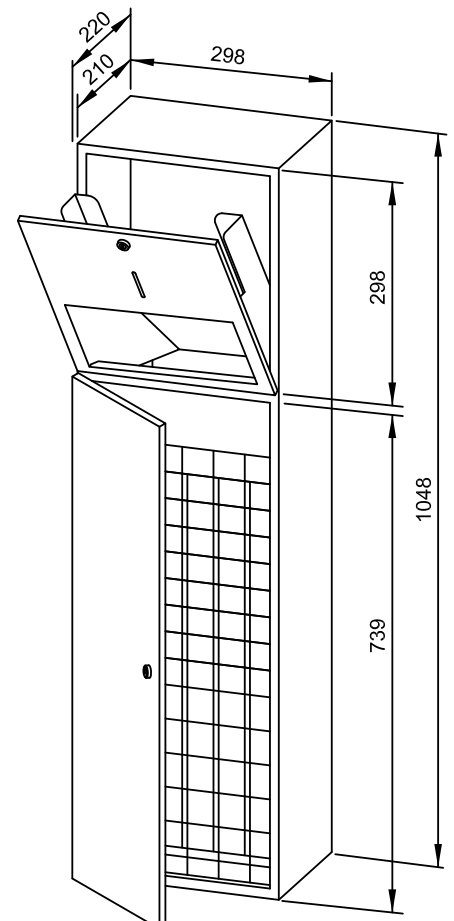


Suggested text for specifications:

Combination consisting of a paper towel dispenser and a waste bin in stainless steel (AISI 304) for surface mounting. All-stainless steel housing; all corners fully welded, visible surfaces satin finished and brushed. Paper towel dispenser with deep-drawn paper removal opening, filling quantity approx. 250 paper towels. Inspection slot to indicate fill level. Accessible for refilling through lockable front flap with fall protection. Waste bin equipped with removable mesh basket. Capacity approx. 32 l. Accessible through lockable door. Keyed alike cylinder locks in corrosion-resistant zinc die-casting. Delivery includes fixing material and one pack of paper towels.

Dimensions: 298 x 1048 x 220 mm

Article No. WP5015



Available surfaces	ID No.
satin finished (standard)	722 996
highly polished	731 996
(coloured) plastic powder-coating	728 996

Ernst Wagner GmbH & Co. KG

Ernst-Abbe-Straße 21 · D-72770 Reutlingen · Tel.: +49712151539-0 · Fax: -20
info@wagner-ewar.de · www.wagner-ewar.de

WAGNER
EWAR

COMBINATION PAPER/WASTE WP5110



298 x 1198 x 220 mm

500 paper towels, 32 l waste bin

- Combination consisting of a paper towel dispenser and a waste bin in robust, germ-reducing and easy-care stainless steel (AISI 304).
- All-stainless steel housing; all corners fully welded, visible surfaces satin finished and brushed. Further available surfaces: see below.
- Paper towel dispenser with deep-drawn paper removal opening for easy paper removal.
- Designed for approx. 500 standard paper towels in zigzag fold. Paper size (folded): 240-250 mm x 100-115 mm.
- Inspection slot to indicate fill level.
- Accessible for refilling through lockable front flap with fall protection.
- Waste bin equipped with removable mesh basket. Capacity approx. 32 l. Accessible through front flap.
- Keyed alike cylinder lock in corrosion-resistant zinc die-casting.
- Wear parts and front panels can be replaced as modules.
- Installation dimensions: 300 x 1200 x 110 mm
- Mounting: With six screws in wall opening through fixing holes in the side walls.
- Delivery includes fixing material and one pack of paper towels.
- Weight, including single package: 14.6 kg

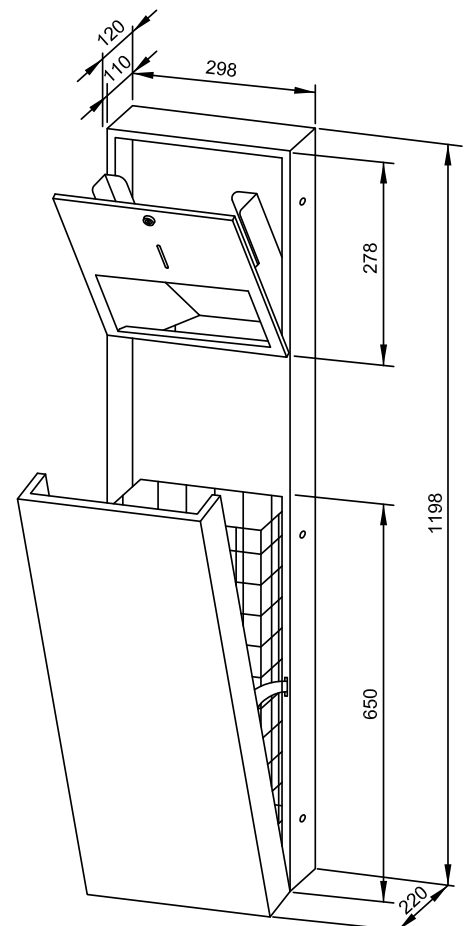


Suggested text for specifications:

Combination consisting of a paper towel dispenser and a waste bin in stainless steel (AISI 304) for flush mounting. All-stainless steel housing; all corners fully welded, visible surfaces satin finished and brushed. Paper towel dispenser with deep-drawn paper removal opening, filling quantity approx. 500 paper towels. Inspection slot to indicate fill level. Accessible for refilling through lockable front flap with fall protection. Waste bin equipped with removable mesh basket. Capacity approx. 32 l. Accessible through front flap. Keyed alike cylinder lock in corrosion-resistant zinc die-casting. Delivery includes fixing material and one pack of paper towels.

Dimensions: 298 x 1198 x 220 mm

Article No. WP5110



Available surfaces	ID No.
satin finished (standard)	727 526
highly polished	731 526
(coloured) plastic powder-coating	729 526

Ernst Wagner GmbH & Co. KG

Ernst-Abbe-Straße 21 · D-72770 Reutlingen · Tel.: +49712151539-0 · Fax: -20
info@wagner-ewar.de · www.wagner-ewar.de

WAGNER
EWAR

COMBINATION PAPER/WASTE WP5115



298 x 1198 x 220 mm

500 paper towels, 32 l waste bin

- Combination consisting of a paper towel dispenser and a waste bin in robust, germ-reducing and easy-care stainless steel (AISI 304).
- All-stainless steel housing; all corners fully welded, visible surfaces satin finished and brushed. Further available surfaces: see below.
- Paper towel dispenser with deep-drawn paper removal opening for easy paper removal.
- Designed for approx. 500 standard paper towels in zigzag fold. Paper size (folded): 240-250 mm x 100-115 mm.
- Inspection slot to indicate fill level.
- Accessible for refilling through lockable front flap with fall protection.
- Waste bin equipped with removable mesh basket. Capacity approx. 32 l. Accessible through front flap.
- Keyed alike cylinder lock in corrosion-resistant zinc die-casting.
- Wear parts can be replaced as modules.
- Mounting: With six screws through key holes and one optional anti-theft hole in the back wall.
- Delivery includes fixing material and one pack of paper towels.
- Weight, including single package: 14.6 kg

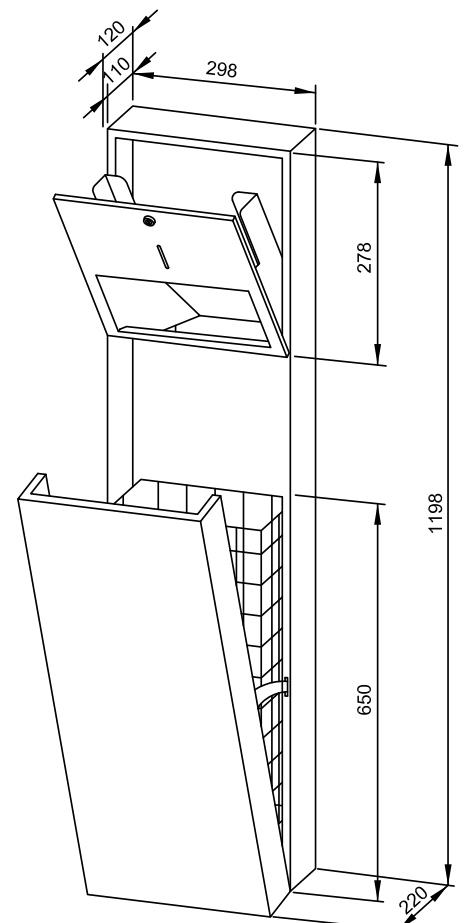


Suggested text for specifications:

Combination consisting of a paper towel dispenser and a waste bin in stainless steel (AISI 304) for surface mounting. All-stainless steel housing; all corners fully welded, visible surfaces satin finished and brushed. Paper towel dispenser with deep-drawn paper removal opening, filling quantity approx. 500 paper towels. Inspection slot to indicate fill level. Accessible for refilling through lockable front flap with fall protection. Waste bin equipped with removable mesh basket. Capacity approx. 32 l. Accessible through front flap. Keyed alike cylinder lock in corrosion-resistant zinc die-casting. Delivery includes fixing material and one pack of paper towels.

Dimensions: 298 x 1198 x 220 mm

Article No. WP5115



Available surfaces	ID No.
satin finished (standard)	722 994
highly polished	731 994
(coloured) plastic powder-coating	728 994

Ernst Wagner GmbH & Co. KG

Ernst-Abbe-Straße 21 · D-72770 Reutlingen · Tel.: +49712151539-0 · Fax: -20
info@wagner-ewar.de · www.wagner-ewar.de

WAGNER
EWAR

COMBINATION PAPER/WASTE WP5120



298 x 1198 x 220 mm

500 paper towels, 32 l waste bin

- Combination consisting of a paper towel dispenser and a waste bin in robust, germ-reducing and easy-care stainless steel (AISI 304).
- All-stainless steel housing; all corners fully welded, visible surfaces satin finished and brushed. Further available surfaces: see below.
- Paper towel dispenser with deep-drawn paper removal opening for easy paper removal.
- Designed for approx. 500 standard paper towels in zigzag fold. Paper size (folded): 240-250 mm x 100-115 mm.
- Inspection slot to indicate fill level.
- Accessible for refilling through lockable front flap with fall protection.
- Waste bin equipped with removable mesh basket. Capacity approx. 32 l. Accessible through lockable door.
- Keyed alike cylinder locks in corrosion-resistant zinc die-casting.
- Wear parts and front panels can be replaced as modules.
- Installation dimensions: 300 x 1200 x 210 mm (when fully fitted).
- Mounting: With six screws in wall opening through fixing holes in the side walls.
- Delivery includes fixing material and one pack of paper towels.
- Weight, including single package: 14.7 kg

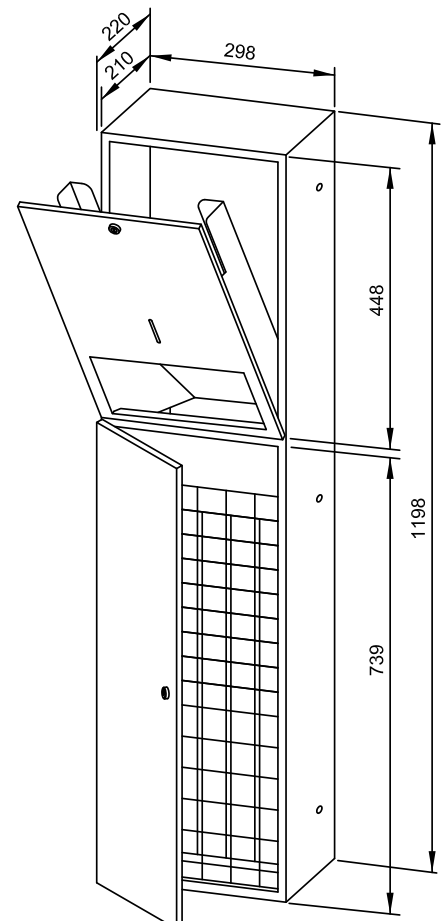


Suggested text for specifications:

Combination consisting of a paper towel dispenser and a waste bin in stainless steel (AISI 304) for flush mounting. All-stainless steel housing; all corners fully welded, visible surfaces satin finished and brushed. Paper towel dispenser with deep-drawn paper removal opening, filling quantity approx. 500 paper towels. Inspection slot to indicate fill level. Accessible for refilling through lockable front flap with fall protection. Waste bin equipped with removable mesh basket. Capacity approx. 32 l. Accessible through lockable door. Keyed alike cylinder locks in corrosion-resistant zinc die-casting. Delivery includes fixing material and one pack of paper towels.

Dimensions: 298 x 1198 x 220 mm

Article No. WP5120



Available surfaces	ID No.
satin finished (standard)	727 524
highly polished	731 524
(coloured) plastic powder-coating	729 524

Ernst Wagner GmbH & Co. KG

Ernst-Abbe-Straße 21 · D-72770 Reutlingen · Tel.: +49712151539-0 · Fax: -20
info@wagner-ewar.de · www.wagner-ewar.de

WAGNER
EWAR

COMBINATION PAPER/WASTE WP5125



298 x 1198 x 220 mm

500 paper towels, 32 l waste bin

- Combination consisting of a paper towel dispenser and a waste bin in robust, germ-reducing and easy-care stainless steel (AISI 304).
- All-stainless steel housing; all corners fully welded, visible surfaces satin finished and brushed. Further available surfaces: see below.
- Paper towel dispenser with deep-drawn paper removal opening for easy paper removal.
- Designed for approx. 500 standard paper towels in zigzag fold. Paper size (folded): 240-250 mm x 100-115 mm.
- Inspection slot to indicate fill level.
- Accessible for refilling through lockable front flap with fall protection.
- Waste bin equipped with removable mesh basket. Capacity approx. 32 l. Accessible through lockable door.
- Keyed alike cylinder locks in corrosion-resistant zinc die-casting.
- Wear parts can be replaced as modules.
- Mounting: With six screws through key holes and one optional anti-theft hole in the back wall.
- Delivery includes fixing material and one pack of paper towels.
- Weight, including single package: 14.7 kg

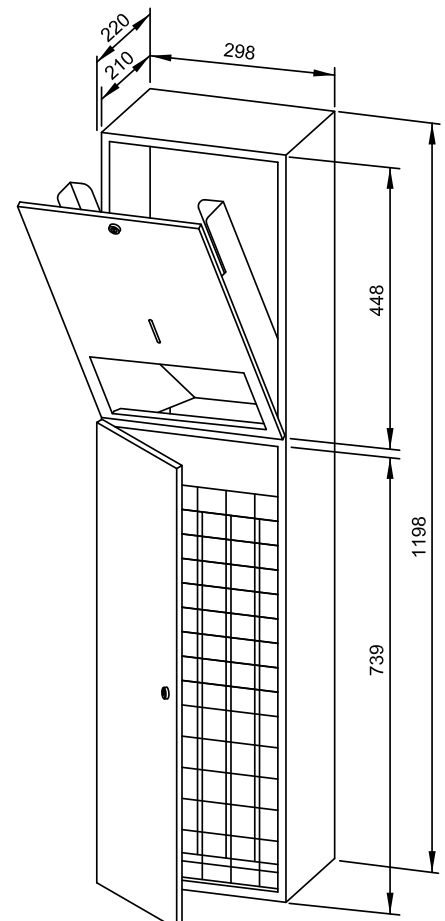


Suggested text for specifications:

Combination consisting of a paper towel dispenser and a waste bin in stainless steel (AISI 304) for surface mounting. All-stainless steel housing; all corners fully welded, visible surfaces satin finished and brushed. Paper towel dispenser with deep-drawn paper removal opening, filling quantity approx. 500 paper towels. Inspection slot to indicate fill level. Accessible for refilling through lockable front flap with fall protection. Waste bin equipped with removable mesh basket. Capacity approx. 32 l. Accessible through lockable door. Keyed alike cylinder locks in corrosion-resistant zinc die-casting. Delivery includes fixing material and one pack of paper towels.

Dimensions: 298 x 1198 x 220 mm

Article No. WP5125



Available surfaces	ID No.
satin finished (standard)	722 995
highly polished	731 995
(coloured) plastic powder-coating	728 995

Ernst Wagner GmbH & Co. KG

Ernst-Abbe-Straße 21 · D-72770 Reutlingen · Tel.: +49712151539-0 · Fax: -20
info@wagner-ewar.de · www.wagner-ewar.de

WAGNER
EWAR

COMBINATION PAPER ROLL/WASTE WP5450



448 x 1348 x 220 mm

Sensor paper roll dispenser, mains-operated, 48 l waste bin

- Combination consisting of a sensor paper roll dispenser (mains-operated) and a waste bin in robust, germ-reducing and easy-care stainless steel (AISI 304).
- All-stainless steel housing; all corners fully welded, visible surfaces satin finished and brushed. Further available surfaces: see below.
- Paper roll dispenser with touch-free operated, capacitive sensor technology, sensor distance approx. 3.5 cm. Paper length and idle time adjustable. Mains-operated 230 V / 50 Hz; power rating 7 Watt; mains cable on site. TÜV/GS-certification applied for.
- Designed for one paper roll with dimensions: Width 200-215 mm, outer diameter max. 200 mm, inner diameter 37-40 mm or 48-50 mm.
- Inspection slot to indicate fill level, residual roll function allows a reserve roll to be inserted before residual roll is completely used up.
- Waste bin equipped with removable mesh basket. Capacity approx. 48 l.
- Accessible through lockable doors.
- Keyed alike cylinder locks in corrosion-resistant zinc die-casting.
- Wear parts and front panels can be replaced as modules.
- Installation dimensions: 450 x 1350 x 210 mm (when fully fitted).
- Mounting: With six screws in wall opening through fixing holes in the side walls.
- Delivery includes fixing material and first fill with one paper roll.
- Weight, including single package: 26.1 kg

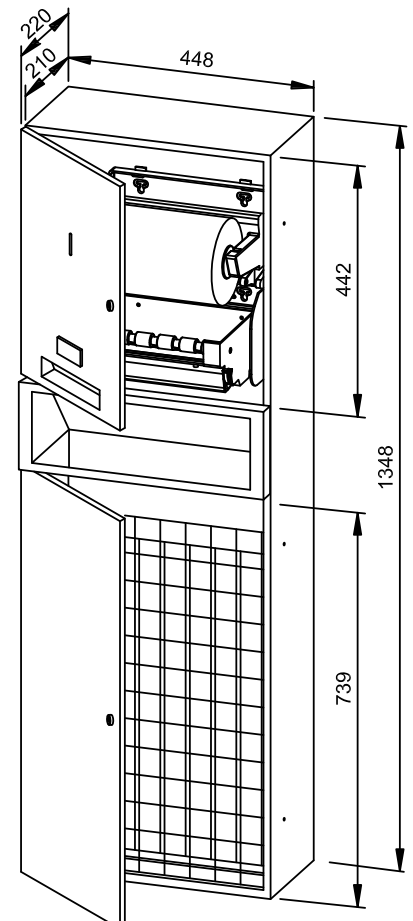


Suggested text for specifications:

Combination consisting of a sensor paper roll dispenser (mains-operated) and a waste bin in stainless steel (AISI 304) for flush mounting. All-stainless steel housing; all corners fully welded, visible surfaces satin finished and brushed. Paper roll dispenser with touch-free operated, capacitive sensor technology. Paper length and idle time adjustable. Mains-operated 230 V / 50 Hz; power rating 7 Watt; mains cable on site. Designed for one paper roll with dimensions: Width 200-215 mm, outer diameter max. 200 mm, inner diameter 37-40 mm or 48-50 mm. Inspection slot to indicate fill level. Waste bin equipped with removable mesh basket. Capacity approx. 48 l. Accessible through lockable doors. Keyed alike cylinder locks in corrosion-resistant zinc die-casting. Delivery includes fixing material and first fill with one paper roll.

Dimensions: 448 x 1348 x 220 mm

Article No. WP5450



Available surfaces	ID No.
satin finished (standard)	727 527
highly polished	731 527
(coloured) plastic powder-coating	729 527

Ernst Wagner GmbH & Co. KG

Ernst-Abbe-Straße 21 · D-72770 Reutlingen · Tel.: +49712151539-0 · Fax: -20
info@wagner-ewar.de · www.wagner-ewar.de

WAGNER
EWAR

COMBINATION PAPER ROLL/WASTE WP5451



448 x 1348 x 220 mm

Sensor paper roll dispenser battery-powered, 48 l waste bin

- Combination consisting of a sensor paper roll dispenser (battery-powered) and a waste bin in robust, germ-reducing and easy-care stainless steel (AISI 304).
- All-stainless steel housing; all corners fully welded, visible surfaces satin finished and brushed. Further available surfaces: see below.
- Paper roll dispenser with touch-free operated, capacitive sensor technology, sensor distance approx. 3.5 cm. Paper length and idle time adjustable. Battery-powered with four standard 1.5 V Mono/LR20/12 A batteries.
- Designed for one paper roll with dimensions: Width 200-215 mm, outer diameter max. 200 mm, inner diameter 37-40 mm or 48-50 mm.
- Inspection slot to indicate fill level, residual roll function allows a reserve roll to be inserted before residual roll is completely used up.
- Waste bin equipped with removable mesh basket. Capacity approx. 48 l.
- Accessible through lockable doors.
- Keyed alike cylinder locks in corrosion-resistant zinc die-casting.
- Wear parts and front panels can be replaced as modules.
- Installation dimensions: 450 x 1350 x 210 mm (when fully fitted).
- Mounting: With six screws in wall opening through fixing holes in the side walls.
- Delivery includes fixing material and first fill with one paper roll.
- Weight, including single package: 26.1 kg

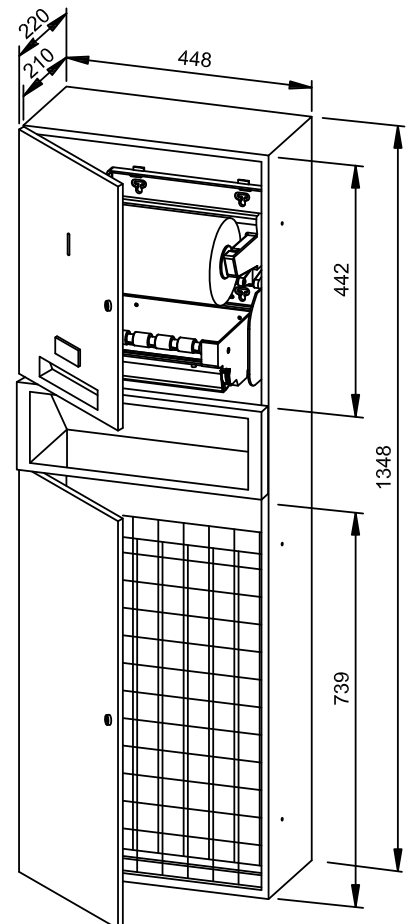


Suggested text for specifications:

Combination consisting of a sensor paper roll dispenser (battery-powered) and a waste bin in stainless steel (AISI 304) for flush mounting. All-stainless steel housing; all corners fully welded, visible surfaces satin finished and brushed. Paper roll dispenser with touch-free operated, capacitive sensor technology. Paper length and idle time adjustable. Battery-powered with four standard 1.5 V Mono/LR20/12 A batteries. Designed for one paper roll with dimensions: Width 200-215 mm, outer diameter max. 200 mm, inner diameter 37-40 mm or 48-50 mm. Inspection slot to indicate fill level. Waste bin equipped with removable mesh basket. Capacity approx. 48 l. Accessible through lockable doors. Keyed alike cylinder locks in corrosion-resistant zinc die-casting. Delivery includes fixing material and first fill with one paper roll.

Dimensions: 448 x 1348 x 220 mm

Article No. WP5451



Available surfaces	ID No.
satin finished (standard)	727 541
highly polished	731 541
(coloured) plastic powder-coating	729 541

Ernst Wagner GmbH & Co. KG

Ernst-Abbe-Straße 21 · D-72770 Reutlingen · Tel.: +49712151539-0 · Fax: -20
info@wagner-ewar.de · www.wagner-ewar.de

WAGNER
EWAR

COMBINATION PAPER ROLL/WASTE WP5455



448 x 1348 x 220 mm

Sensor paper roll dispenser mains-operated, 48 l waste bin

- Combination consisting of a sensor paper roll dispenser (mains-operated) and a waste bin in robust, germ-reducing and easy-care stainless steel (AISI 304).
- All-stainless steel housing; all corners fully welded, visible surfaces satin finished and brushed.
Further available surfaces: see below.
- Paper roll dispenser with touch-free operated, capacitive sensor technology, sensor distance approx. 3.5 cm. Paper length and idle time adjustable.
Mains-operated 230 V / 50 Hz; power rating 7 Watt; mains cable on site. TÜV/GS certification applied for.
- Designed for one paper roll with dimensions:
Width 200-215 mm, outer diameter max. 200 mm, inner diameter 37-40 mm or 48-50 mm.
- Inspection slot to indicate fill level, residual roll function allows a reserve roll to be inserted before residual roll is completely used up.
- Waste bin equipped with removable mesh basket.
Capacity approx. 48 l.
- Accessible through lockable doors.
- Keyed alike cylinder locks in corrosion-resistant zinc die-casting.
- Wear parts can be replaced as modules.
- Mounting: With six screws through key holes and one optional anti-theft hole in the back wall.
- Delivery includes fixing material and first fill with one paper roll.
- Weight, including single package: 26.1 kg

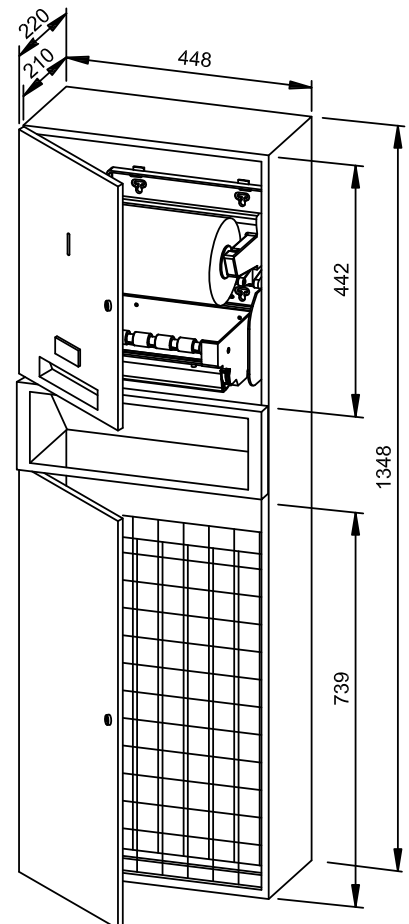


Suggested text for specifications:

Combination consisting of a sensor paper roll dispenser (mains-operated) and a waste bin in stainless steel (AISI 304) for surface mounting. All-stainless steel housing; all corners fully welded, visible surfaces satin finished and brushed. Paper roll dispenser with touch-free operated, capacitive sensor technology. Paper length and idle time adjustable. Mains-operated 230 V / 50 Hz; power rating 7 Watt; mains cable on site. Designed for one paper roll with dimensions: Width 200-215 mm, outer diameter max. max. 200 mm, inner diameter 37-40 mm or 48-50 mm. Inspection slot to indicate fill level. Waste bin equipped with removable mesh basket. Capacity approx. 48 l. Accessible through lockable doors. Keyed alike cylinder locks in corrosion-resistant zinc die-casting. Delivery includes fixing material and first fill with one paper roll.

Dimensions: 448 x 1348 x 220 mm

Article No. WP5455



Available surfaces	ID No.
satin finished (standard)	722 976
highly polished	731 976
(coloured) plastic powder-coating	728 976

Ernst Wagner GmbH & Co. KG

Ernst-Abbe-Straße 21 · D-72770 Reutlingen · Tel.: +49712151539-0 · Fax: -20
info@wagner-ewar.de · www.wagner-ewar.de

WAGNER
EWAR

COMBINATION PAPER ROLL/WASTE WP5456



448 x 1348 x 220 mm

Sensor paper roll dispenser battery-powered, 48 l waste bin

- Combination consisting of a sensor paper roll dispenser (battery-powered) and a waste bin in robust, germ-reducing and easy-care stainless steel (AISI 304).
- All-stainless steel housing; all corners fully welded, visible surfaces satin finished and brushed. Further available surfaces: see below.
- Paper roll dispenser with touch-free operated, capacitive sensor technology, sensor distance approx. 3.5 cm. Paper length and idle time adjustable. Battery-powered with four standard 1.5 V Mono/LR20/12 A batteries.
- Designed for one paper roll and one reserve roll with dimensions: Width 200-215 mm, outer diameter max. 200 mm, inner diameter 37-40 mm or 48-50 mm.
- Inspection slot to indicate fill level, residual roll function allows a reserve roll to be inserted before residual roll is completely used up.
- Waste bin equipped with removable mesh basket. Capacity approx. 48 l.
- Accessible through lockable doors.
- Keyed alike cylinder locks in corrosion-resistant zinc die-casting.
- Wear parts can be replaced as modules.
- Mounting: With six screws through key holes and one optional anti-theft hole in the back wall.
- Delivery includes fixing material and first fill with one paper roll.
- Weight, including single package: 26.1 kg

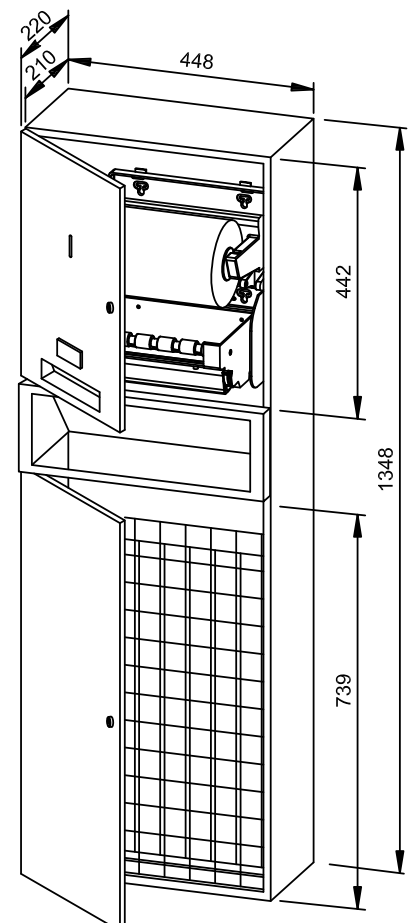


Suggested text for specifications:

Combination consisting of a sensor paper roll dispenser (battery-powered) and a waste bin in stainless steel (AISI 304) for surface mounting. All-stainless steel housing; all corners fully welded, visible surfaces satin finished and brushed. Paper roll dispenser with touch-free operated, capacitive sensor technology. Paper length and idle time adjustable. Battery-powered with four standard 1.5 V Mono/LR20/12 A batteries. Designed for one paper roll with dimensions: Width 200-215 mm, outer diameter max. 200 mm, inner diameter 37-40 mm or 48-50 mm. Inspection slot to indicate fill level. Waste bin equipped with removable mesh basket. Capacity approx. 48 l. Accessible through lockable doors. Keyed alike cylinder locks in corrosion-resistant zinc die-casting. Delivery includes fixing material and first fill with one paper roll.

Dimensions: 448 x 1348 x 220 mm

Article No. WP5456



Available surfaces	ID No.
satin finished (standard)	722 977
highly polished	731 977
(coloured) plastic powder-coating	728 977

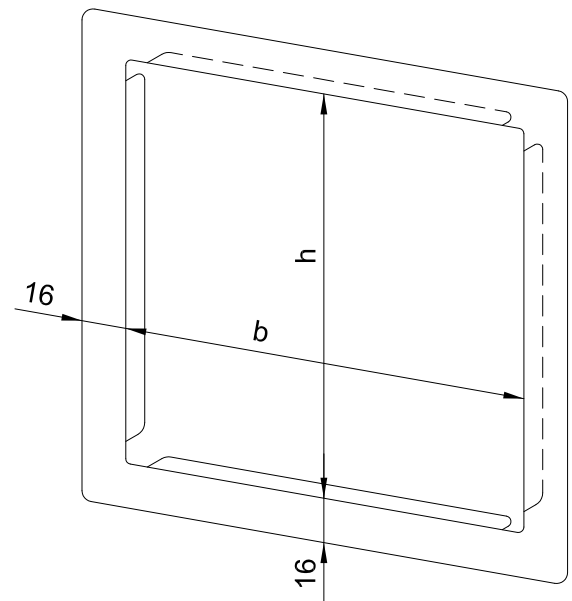
Ernst Wagner GmbH & Co. KG

Ernst-Abbe-Straße 21 · D-72770 Reutlingen · Tel.: +49712151539-0 · Fax: -20
info@wagner-ewar.de · www.wagner-ewar.de

WAGNER
EWAR

for flush-mounted models

- All-round covering frame in robust, germ-reducing and easy-care stainless steel (AISI 304), satin finished and brushed.
- Angle profile 16 x 16 mm.
- Dimensions: for flush-mounted models with the following dimensions:
 - 148 x 148 mm (ID No. 768 970) for WP106/256
 - 148 x 348 mm (ID No. 768 646) for WP167
 - 148 x 448 mm (ID No. 768 643) for WP161/208
 - 298 x 148 mm (ID No. 768 658) for WP166/170
 - 298 x 298 mm (ID No. 768 645) for WP114
 - 298 x 396 mm (ID No. 768 655) for WP1200
 - 298 x 448 mm (ID No. 768 644) for WP112
 - 298 x 598 mm (ID No. 768 647) for WP134/138
 - 298 x 645 mm (ID No. 768 652) for WP501
 - 298 x 748 mm (ID No. 768 654) for WP612
 - 298 x 898 mm (ID No. 768 650) for WP147/530
 - 298 x 1048 mm (ID No. 768 649) for WP540/5010
 - 298 x 1198 mm (ID No. 768 653) for WP610/5110/5120
 - 298 x 1348 mm (ID No. 768 648) for WP500
 - 350 x 448 mm (ID No. 768 656) for WP1510/1511
 - 350 x 580 mm (ID No. 768 657) for WP1610/1611
 - 448 x 148 mm (ID No. 768 663) for WP506
 - 448 x 1348mm (ID No. 768 660) for WP5450/5451
 - 530 x 936 mm (ID No. 768 662) for WP2110
 - 900 x 566 mm (ID No. 768 661) for WP2010
- Also available in a polished or (colored) powder-coated finish.



Suggested text for specifications:

Covering frame for flush-mounted models in stainless steel (AISI 304), satin finished and brushed. Angle profile 16 x 16 mm.

Dimensions ... x ... mm

Washbasin

When planning sanitary installations which are barrier-free or suitable for disabled users, the following standards apply within Germany:

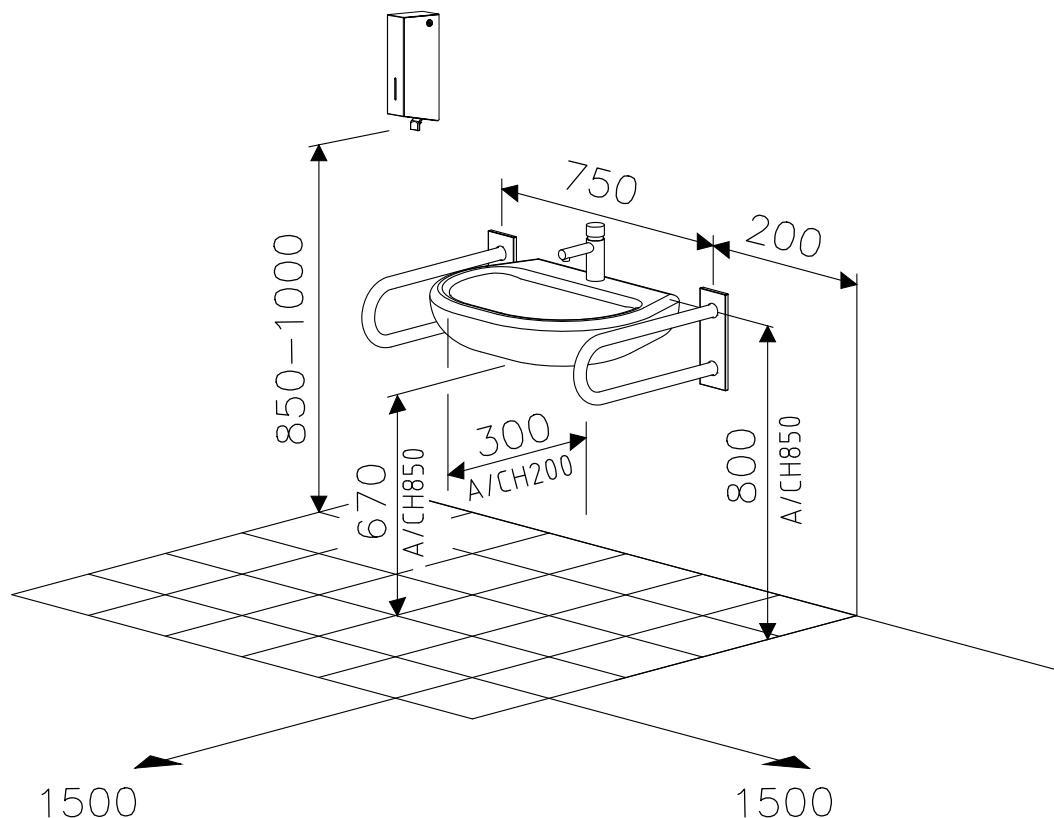
DIN 18040 Part 1 for publicly accessible buildings

DIN 18025 Part 1 for apartments for wheelchair users

DIN 18025 Part 2 for barrier-free apartments.



- Wheelchair can be moved in all the way under the washbasin, upper edge 80 cm above the floor, knee space to a depth of 30 cm up to a height of at least 67 cm.
- Pillar tap operable with one hand or touch-free, water temperature limited to maximum 45 °C, maximum distance to basin front 40 cm.
- Soap dispenser (if installed) mounted to the side, removal height between 85 cm and 100 cm.
- Free space for movement in front of washbasin: at least 120 cm x 120 cm for DIN 18025/2, otherwise at least 150 cm x 150 cm.
- Horizontal clearance between support rails and washbasin/vanity unit at least 10 cm and no more than 30 cm.

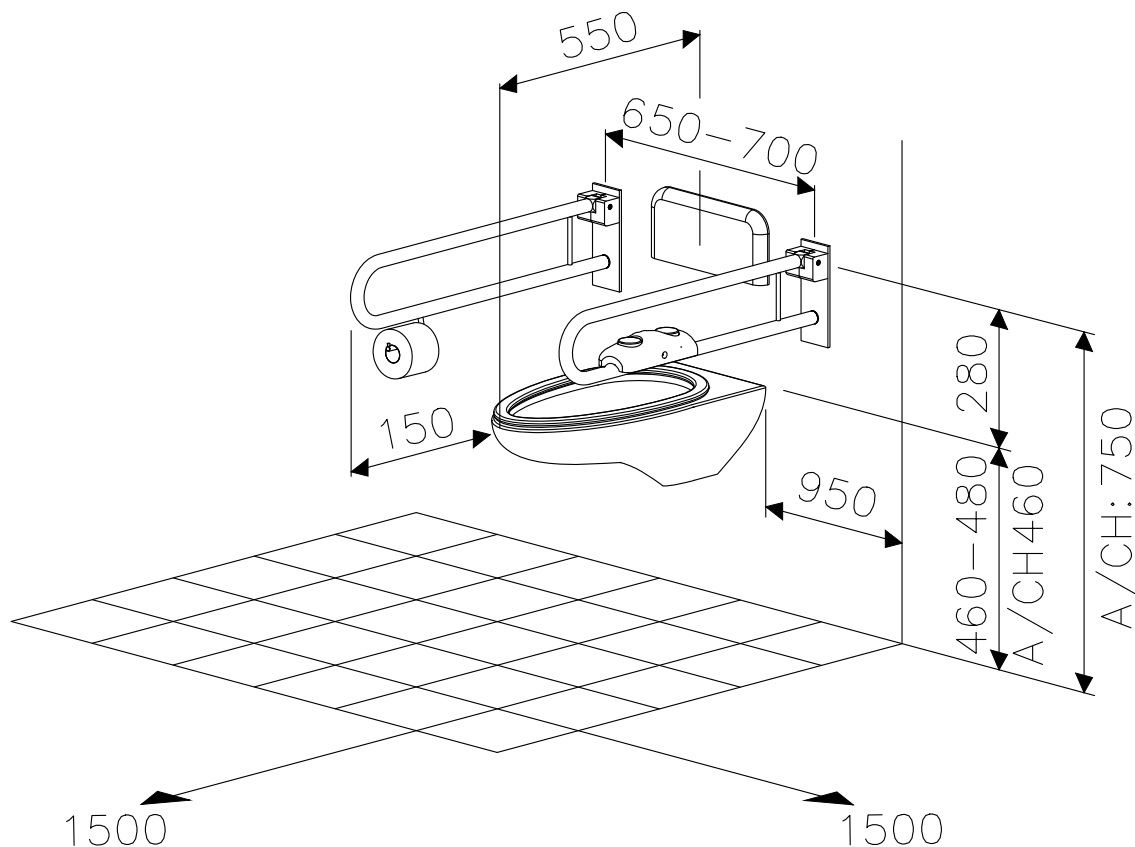




Toilet area



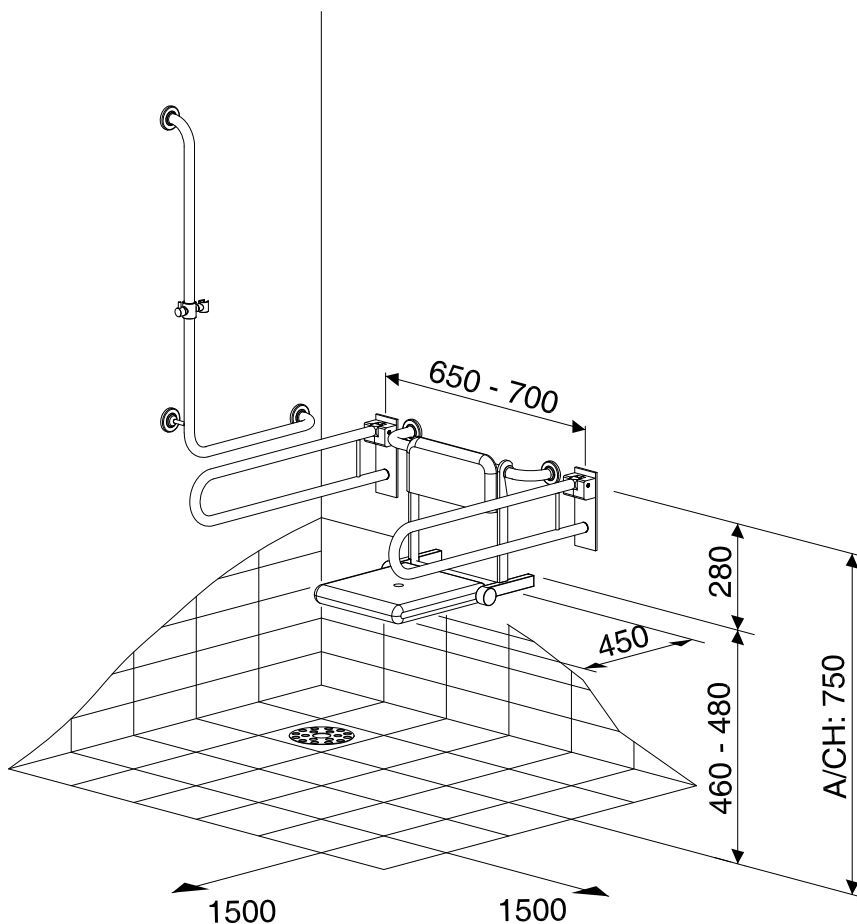
- Toilet seat height: upper edge 46 cm - 48 cm high, depth 70 cm (55 cm to backrest).
- Flush can be operated from either side with hand or arm without the user needing to alter seated position.
- Space for movement to the side: at least 95 cm on one side (for DIN 18025/1) or 90 cm both sides (for DIN 18040/1).
- Free space for movement in front of seat: at least 120 cm x 120 cm for DIN 18025/2, otherwise at least 150 cm x 150 cm.
- Support rails on both sides 28 cm over seat height, 65 cm - 70 cm between rails, rails at least 85 cm long, capable of supporting at least 100 kg at front edge, minimum one toilet roll holder on one of the support rails.



Shower area



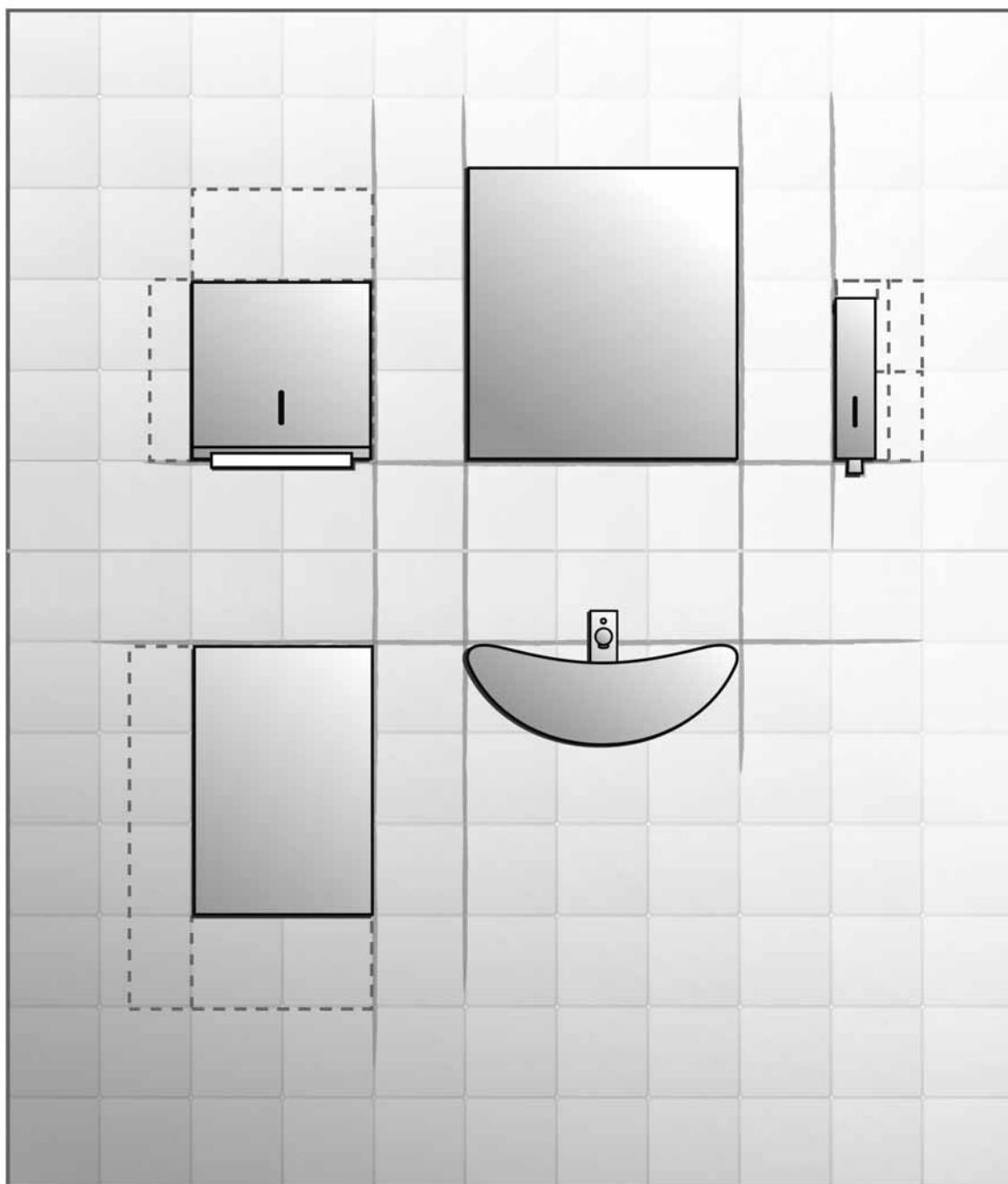
- Shower floor area flush with surrounding floor, without steps or impediments to walking or wheelchairs, anti-slip floor. Later installation of a bathtub should be possible.
- Space for movement at least 120 cm x 120 cm for DIN 18025/2, otherwise at least 150 cm x 150 cm.
- Folding shower seat fixed firmly in place or able to be firmly attached, seat height 46 cm - 48 cm, seat depth minimum 45 cm.
- Support rails on both sides 28 cm over seat height, 65 cm - 70 cm between rails, rails at least 15 cm longer than front of seat.
- Grab rail and tap at height of 85 cm, operable with one hand and water temperature limited to maximum 45 °C.



SUGGESTED FIXING POSITIONS



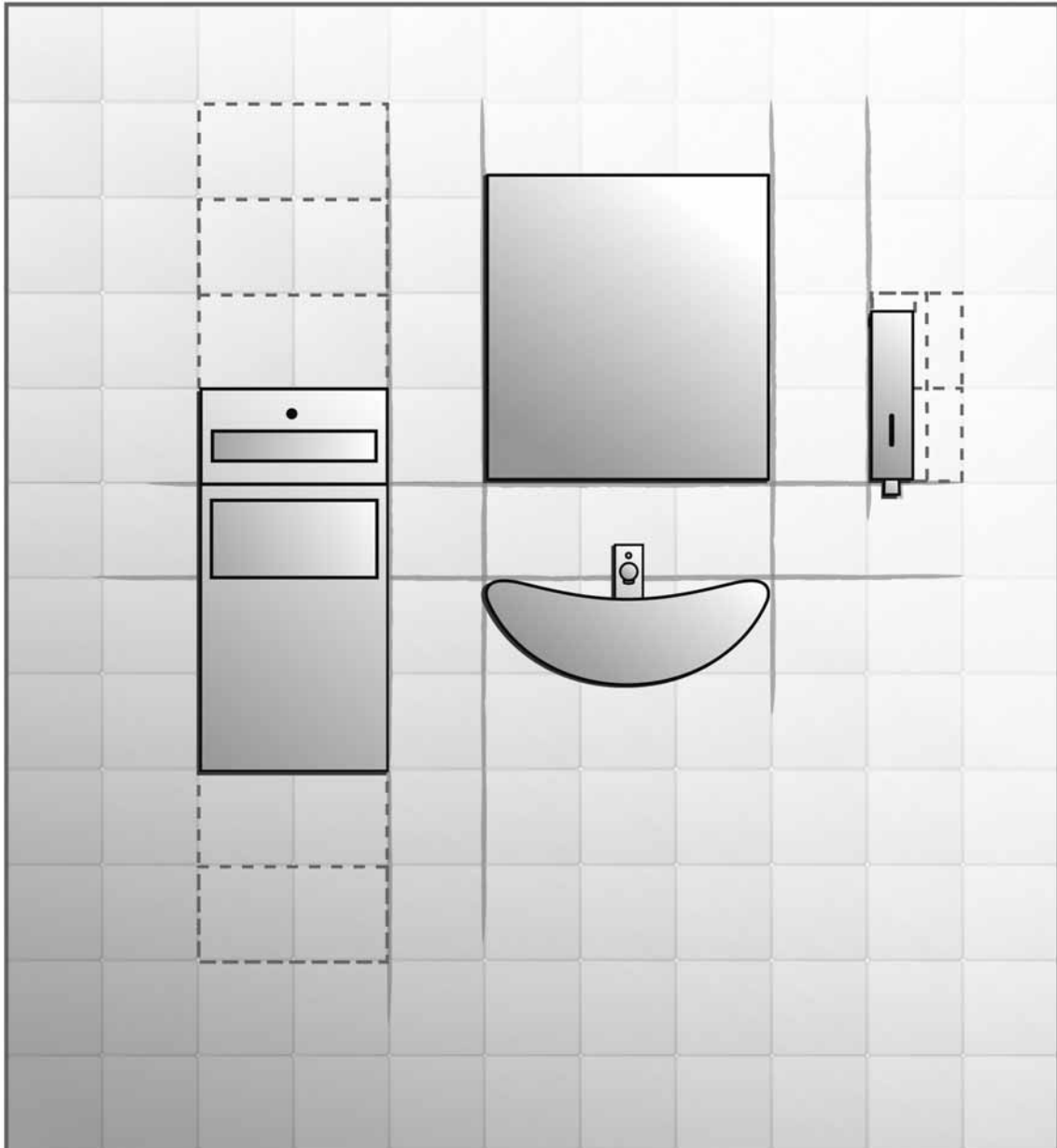
Soap dispensers, paper towel dispensers,
waste bins for surface- and flush-mounting





Combinations for surface- and flush-mounting

Tile size 15 x 15 cm





Operating instructions

Soap dispenser

To refill soap dispensers WP 101–103 and WP 208, a key is used to unlock the housing lid. The lid folds down on hinges. Remove the empty soap container by turning it.

Take the new or refilled soap container with new screw cap and place it on the pump spike with the label facing to the front. Screw the bottle in with a counter-clockwise movement, which will press in the plastic plug. The soap will flow into the storage reservoir. Line up the bottle with the rear wall of the dispenser.

Fold up the housing lid and lock it. All tabletop soap dispensers can be refilled from above.

Paper towel dispenser

Unlock housing lid with key. Lid folds down on hinges. Place paper towels into the guide with the fold facing downwards.

Make sure the towels are layered neatly. Fold up the housing lid and lock it.

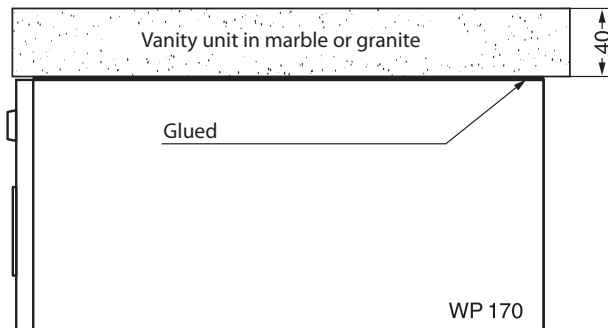
Care instructions for bathroom units made from stainless steel

Basic cleaning

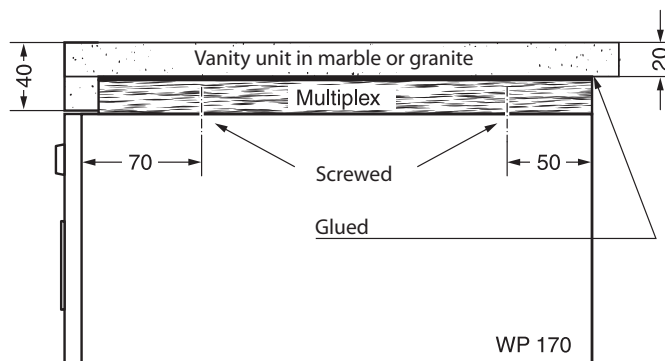
To prevent scratching, the stainless steel surfaces are covered with a protective film, which needs to be removed following assembly. If, despite precautions, adhesive residue is left on the stainless steel surface, it can be removed with a conventional, pH-neutral detergent. Once the adhesive residue has been removed, rub the surfaces lightly and evenly with a non-acidic cleaning agent in the direction in which the surface was ground; this will produce a light protective coating.

Assembly instructions WP 170

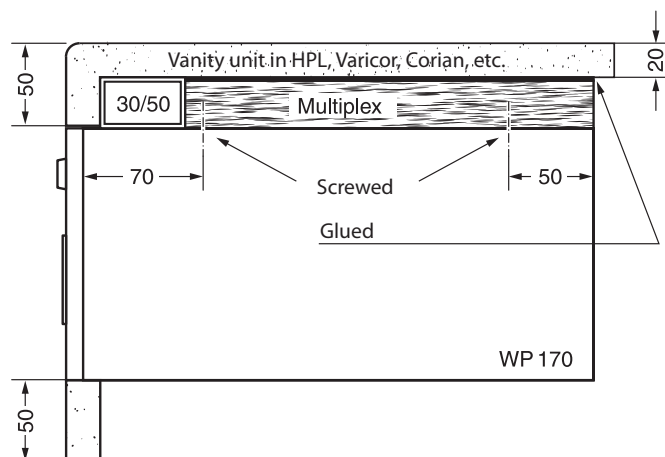
Example 1



Example 2



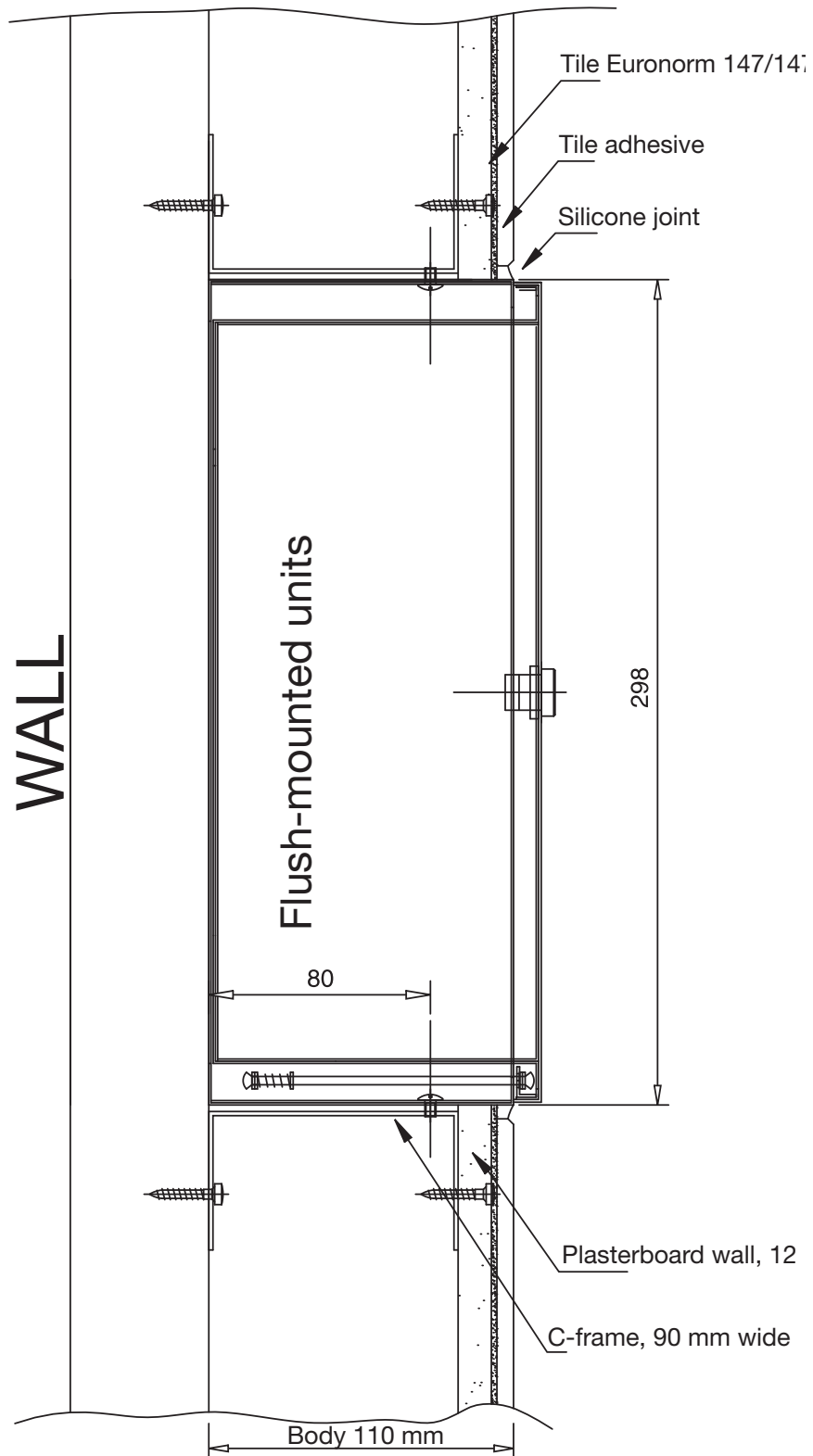
Example 3





Assembly instructions: flush-mounting

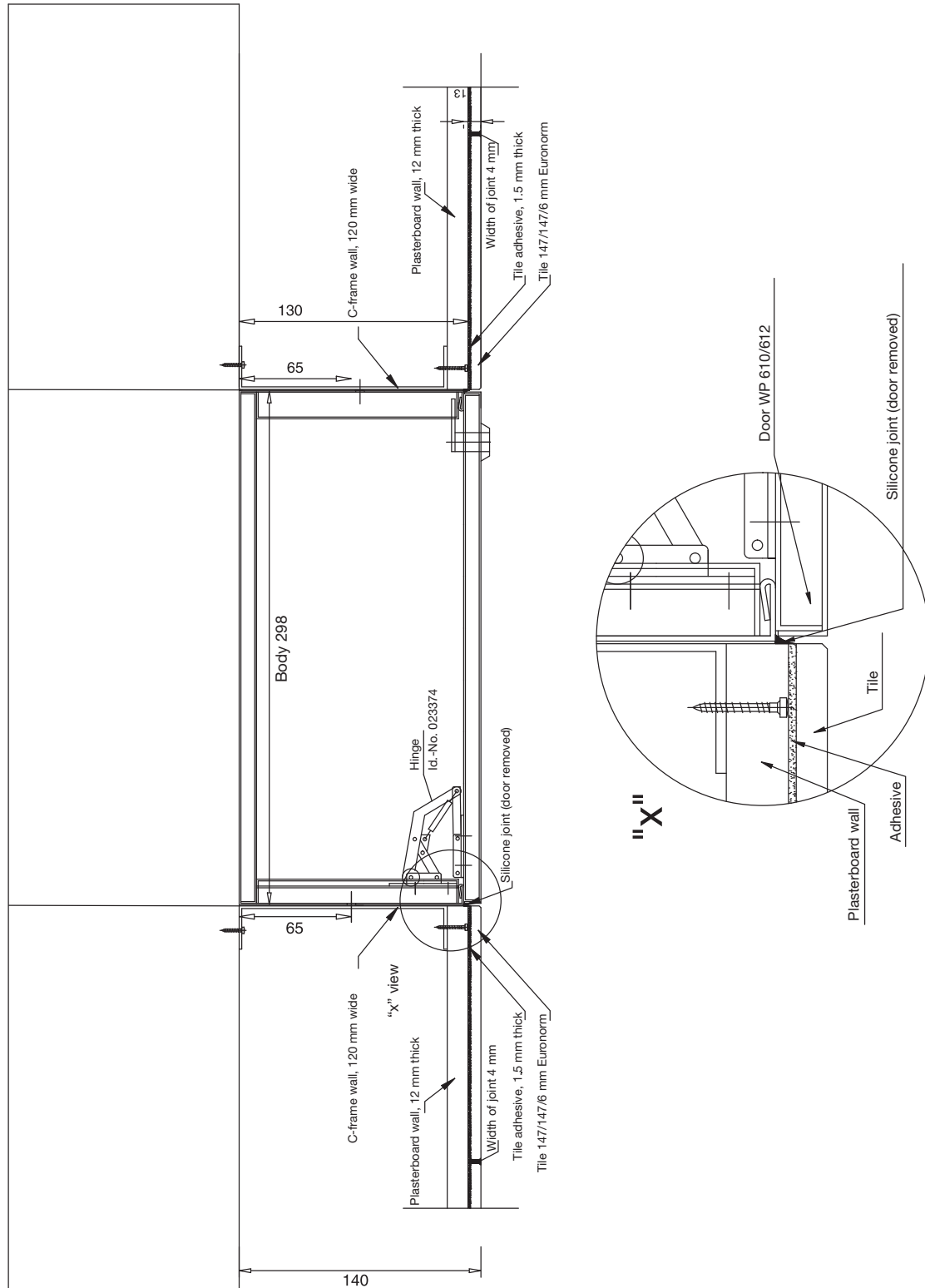
in C-frame wall





Assembly instructions: flush-mounting

in C-frame wall for models WP 610/WP 612



Mounting suggestions: support rails

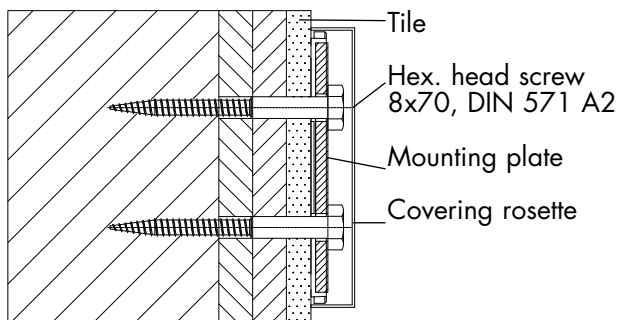
For support rails, hinged support rails and assembly plates, the mounting components are not included with the delivered item. After assessing the site conditions, please use one of the fastening sets listed below as an accessory.

Wagner-EWAR assumes no liability for the selection of unsuitable fixing materials or for improper assembly.

Mounting set:

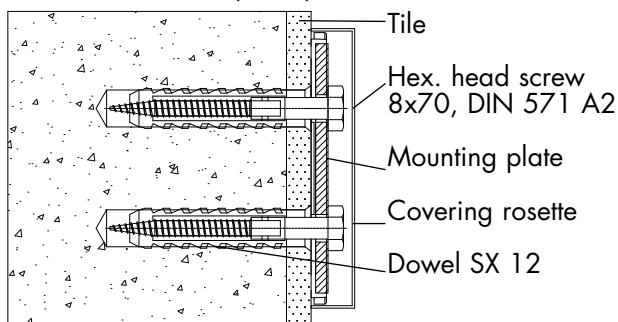
Contents:

No. 1 for wood



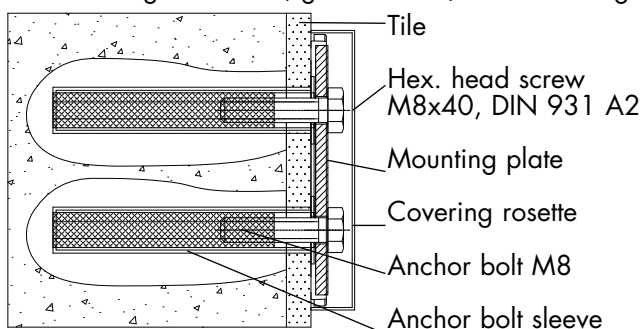
6 hex. head screws

No. 2 for concrete (>B15)



6 hex. head screws
 6 dowels

No. 3 for light concrete/gas concrete/vertical coring brick/gypsum bricks



6 hex. head screws
 6 anchor bolts
 6 anchor bolt sleeves
 (Fischer assembling mortar 360S provided by the customer)